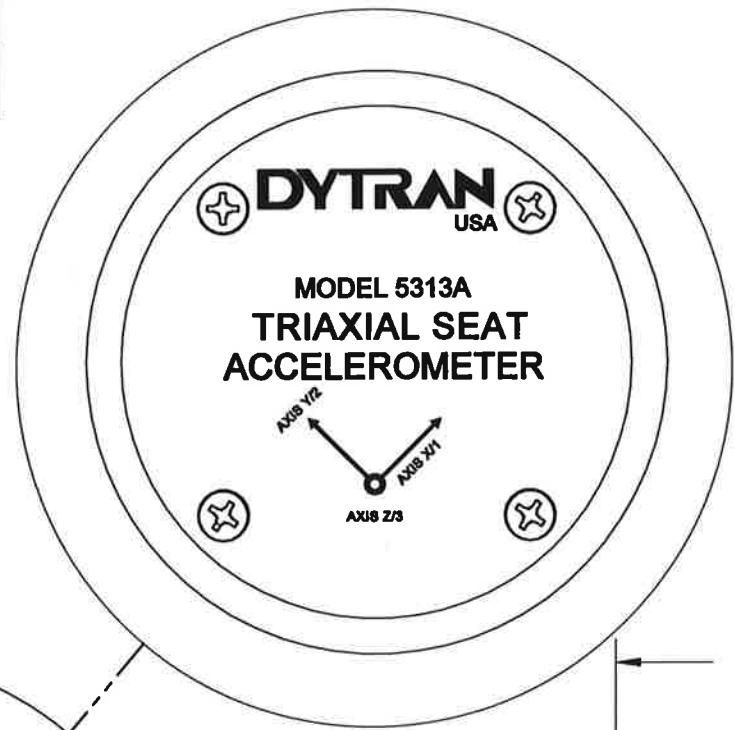


PROPRIETARY AND CONFIDENTIAL

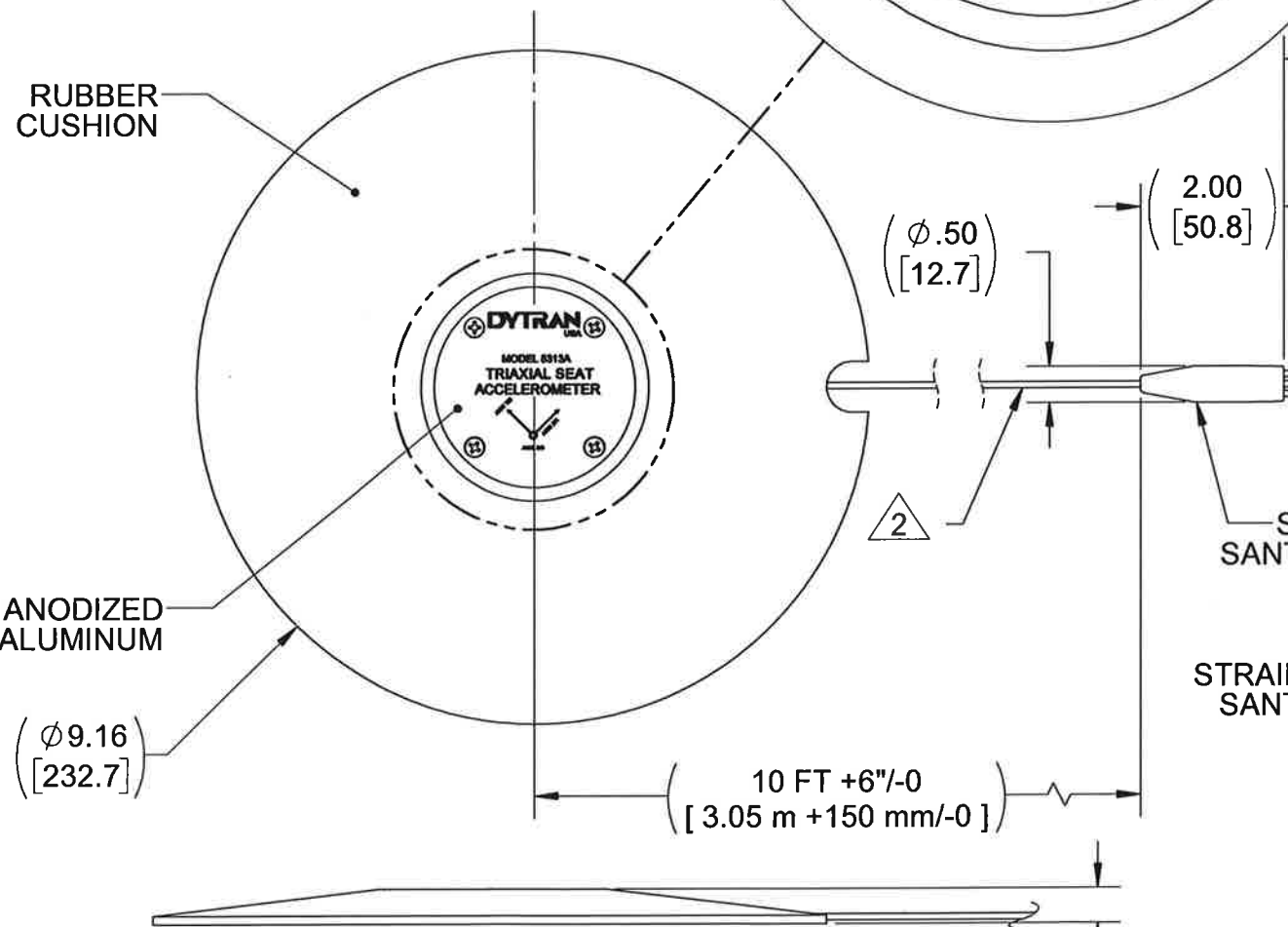
THE INFORMATION CONTAINED IN THIS DRAWING IS THE SOLE PROPERTY OF DYTRAN INSTRUMENTS INC. ANY REPRODUCTION IN PART OR AS A WHOLE WITHOUT THE WRITTEN PERMISSION OF DYTRAN INSTRUMENTS INC. IS PROHIBITED

REVISIONS

REV.	ECN	DESCRIPTION	BY/DATE	CHK	APPR
E	13418	SEE ECN	MH 04/21/17	HW	Em



DETAIL A
SCALE 1 : 1



2 4 CONDUCTOR, SHIELDED CABLE	
CONDUCTORS	30 AWG 7/38 SILVER PLATED COPPER
TEMP	-65°C (-85°F) TO +200°C (+392°F)
VOLTAGE	250 VOLTS
SHIELD	SILVER PLATED COPPER BRAID, 90% MIN COVERAGE
JACKET	FEP, BLACK, .006/.015 WALL
DIAMETER	.105 MAX

3 SINGLE CONDUCTOR SHIELDED CABLE	
WIRE	30-7/38 SILVER PLATED COPPER
WIRE INSULATION	EXTRUDED PTFE, NATURAL, Ø.033 ±.002
SHIELD	38 AWG SILVER PLATED COPPER BRAID, 95% MIN COVERAGE, Ø.054 NOM
JACKET	WHT PTFE WRAP .005-.010 WALL
DIAMETER	Ø.074±.006
TEMP	200 DEG C WIRE RATED
VOLTAGE	2000 VAC
INDUCTANCE	.80 microH/FT
MINIMUM BEND RADIUS	.38 IN
CAPACITANCE (SHIELD TO CONDUCTOR)	32 pF/FT
IMPEDANCE	50 OHMS

- 3 SEE CABLE SPECIFICATION TABLE.
- 2 SEE CABLE SPECIFICATION TABLE.

1. OPERATING TEMPERATURE RANGE: -60°F (-51.1°C) TO 160°F (71.1°C).

NOTES: UNLESS OTHERWISE SPECIFIED

UNLESS OTHERWISE SPECIFIED:
 INTERPRET DIM & TOL PER ASME Y14.5M - 1994.
 REMOVE BURRS.
 COUNTERSINK INTERNAL THDS 90° TO MAJOR DIA.
 CHAM EXT THDS 45° TO MINOR DIA.
 THD LENGTHS AND DEPTHS ARE FOR MIN FULL THDS.
 DIMENSIONS APPLY AFTER FINISHING.

ALL MACHINED SURFACES: ⁶³✓
 TOTAL RUNOUT WITHIN .005.
 BREAK SHARP EDGES .005 TO .010.
 MACHINED FILLET RADII .005 TO .015.
 WELDING SYMBOLS PER AWS A2.4.
 ABBREVIATIONS PER MIL-STD-12.

APPROVALS		DATE
ORIG	MH	04/21/17
CHK	HW	4/27/17
APP		

DO NOT SCALE DRAWING

THIRD ANGLE PROJECTION

DYTRAN INSTRUMENTS, INC.
 Chatsworth, CA

MASTER COPY ONLY IF IN RED

TITLE: **TRIAxIAL SEAT CUSHION
ACCELEROMETER 100mV/G**

SIZE	CAGE CODE	DWG NO	REV
B	2W033	127-5313A	E

SCALE: 1:2.5

SHEET 1 OF 1

