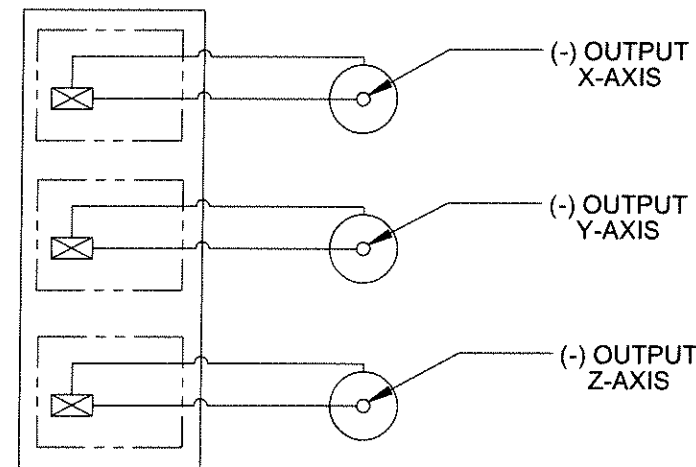
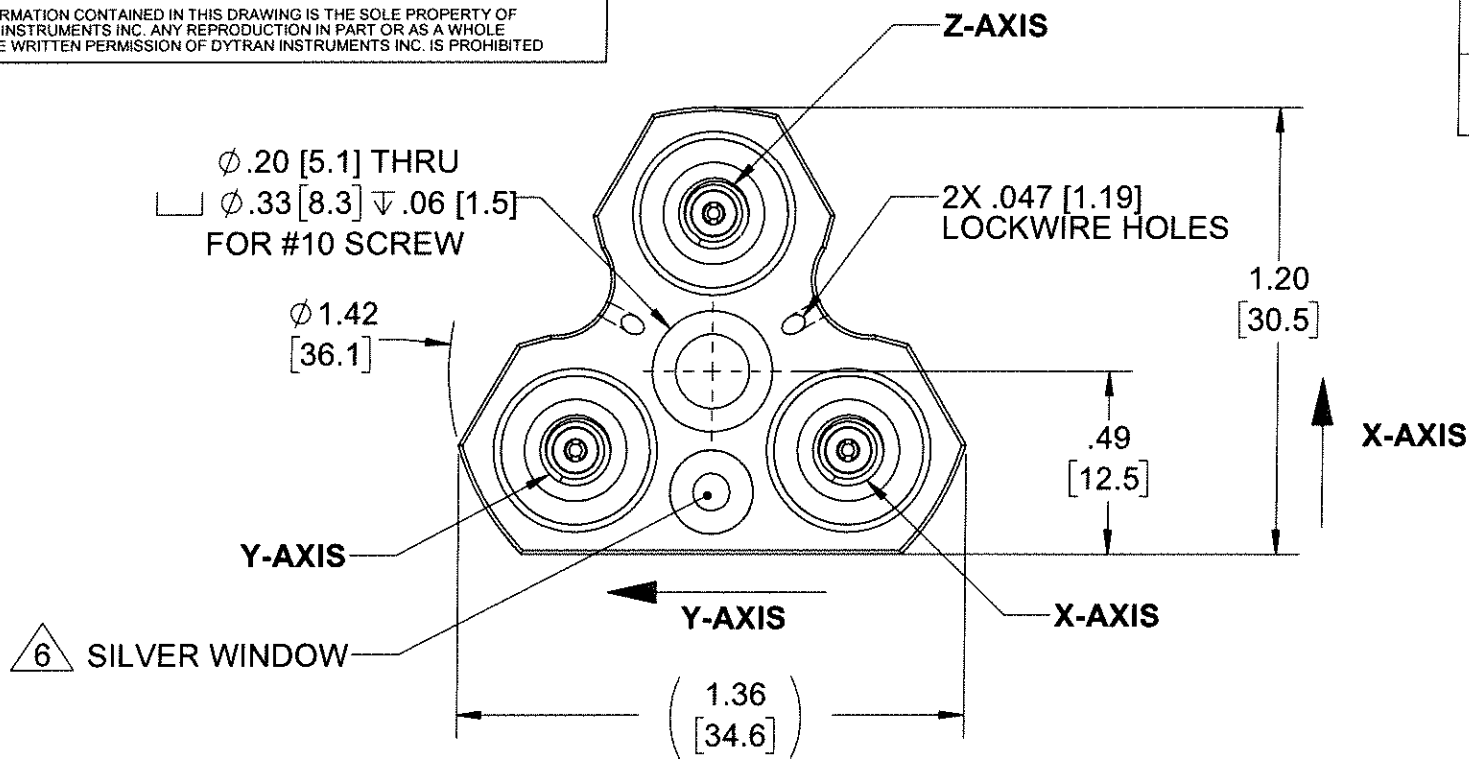


PROPRIETARY AND CONFIDENTIAL

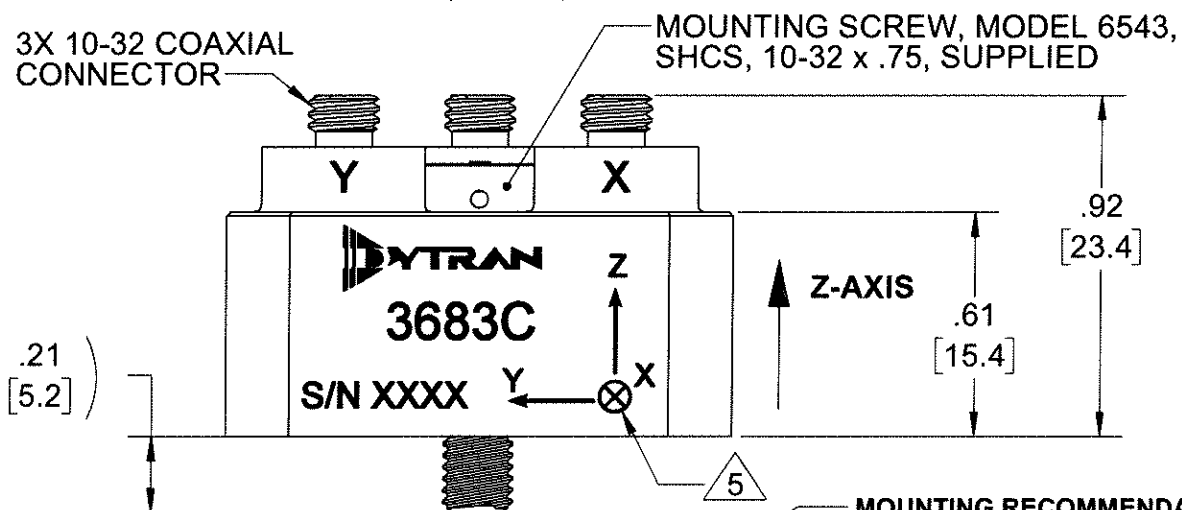
THE INFORMATION CONTAINED IN THIS DRAWING IS THE SOLE PROPERTY OF DYTRAN INSTRUMENTS INC. ANY REPRODUCTION IN PART OR AS A WHOLE WITHOUT THE WRITTEN PERMISSION OF DYTRAN INSTRUMENTS INC. IS PROHIBITED

REVISIONS

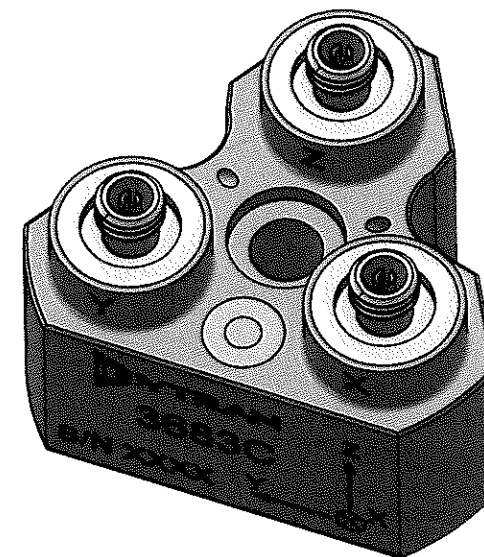
REV.	ECN	DESCRIPTION	BY/DATE	CHK	APPR
A	13438	INITIAL RELEASE SAME AS REV X1	LN 10/08/18	<i>[Signature]</i>	KG



SCHEMATIC DIAGRAM



MOUNTING RECOMMENDATION:
 PREPARE A $\phi 1.50$ [38.1] MIN SURFACE,
 FLAT TO .001 TIR.
 TAP 10-32 UNF-2B $\nabla .25$ [6.4] MIN.
 MOUNTING TORQUE: 10-12 Lb-in.



6 US PATENT NUMBER US 8,375,793 B2

5 ARROWS INDICATE DIRECTION OF ACCELERATION FOR NEGATIVE (-) OUTPUT

4. MAXIMUM OPERATING TEMPERATURE: 1000°F [538°C]

3. CHARGE SENSITIVITY: 1.0 - 2.0 pC/g

2. WEIGHT: 65 GRAMS, MAX.

1. HOUSING MATERIAL: ALLOY 600

NOTES: UNLESS OTHERWISE SPECIFIED

UNLESS OTHERWISE SPECIFIED: INTERPRET DIM & TOL PER ASME Y14.5M - 1994. REMOVE BURRS. COUNTERSINK INTERNAL THDS 90° TO MAJOR DIA. CHAM EXT THDS 45° TO MINOR DIA. THD LENGTHS AND DEPTHS ARE FOR MIN FULL THDS. DIMENSIONS APPLY AFTER FINISHING.	UNLESS OTHERWISE SPECIFIED: DIMENSIONS ARE IN INCHES. DIMENSIONS IN BRACKETS [] ARE IN MILLIMETERS TOLERANCES ARE:				
	DECIMALS XX ± .03 XXX ± .010	METRIC X ± 0.8 XX ± 0.25			ANGLES ± 1°
	APPROVALS		DATE		
	ORIG LN CHK <i>[Signature]</i> APP KG	03/13/17 10/15/18 10/15/18		TITLE: OUTLINE/INSTALLATION DWG, HIGH TEMP TRIAX, ISOLATED, 3683C	
ALL MACHINED SURFACES \checkmark TOTAL RUNOUT WITHIN .005. BREAK SHARP EDGES .005 TO .010. MACHINED FILLET RADII .005 TO .015. WELDING SYMBOLS PER AWS A2.4. ABBREVIATIONS PER MIL-STD-12.		DO NOT SCALE DRAWING	THIRD ANGLE PROJECTION 	SIZE B CAGE CODE 2W033 DWG NO 127-3683C SCALE: 2:1	REV A SHEET 1 OF 1



- 1000°F [538°C] OPERATION
- CASE ISOLATED
- CENTER THROUGH HOLE MOUNT
- HERMETICALLY SEALED

PHYSICAL

Weight, Max. Type

Connector

Mounting Provision

Material Housing

Element Style Material

Type

ENGLISH		SI	
2.28	oz	65	grams
3X 10-32		3X 10-32	
Thru Hole, #10 Screw		Thru Hole, #10 Screw	
Alloy 600		Alloy 600	
Single Crystal		Single Crystal	
Shear		Shear	

PERFORMANCE

Sensitivity [1]

Frequency Range, ±5%

Frequency Range, ±3dB

Resonant Frequency

Capacitance

Linearity [2]

Maximum Transverse Sensitivity

Base Strain Sensitivity

Magnetic Sensitivity, Typ.

Insulation Resistance

1 to 2	pC/g	0.10 to 0.20	pC/m/s ²
[3] to 1000	Hz	[3] to 1000	Hz
[3] to 3000	Hz	[3] to 3000	Hz
> 9	kHz	> 9	kHz
120	pF	120	pF
± 1%	% F.S.	± 1%	% F.S.
6	%	6	%
0.01	g/μe	0.10	m/s ² /μe
0.016	g/Gauss	0.00163	m/s ² /Gauss
at 75°F >3.0E7	Ω	at 75°F >3.0E7	Ω
at 1000°F >1.0E5	Ω	at 1000°F >1.0E5	Ω
Negative		Negative	

ENVIRONMENTAL

Maximum Vibration

Maximum Shock

Temperature Range

Seal

Ground Isolation

±1000	G, peak	±9810	m/s ² , peak
±3000	G, peak	±29430	m/s ² , peak
-67 to +1000	°F	-55 to +538	°C
Hermetic		Hermetic	
Case Isolated		Case Isolated	

This family also includes:

Model	Sensitivity (pC/g)	Range F.S (G's)	Output Polarity	Temperature (°F)

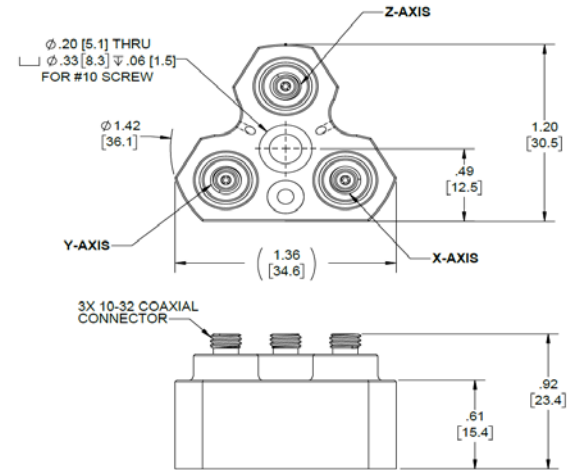
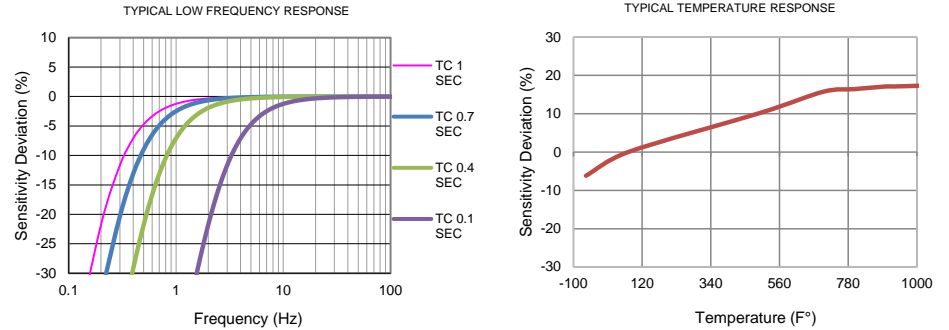
Refer to the performance specifications of the products in this family for detailed description.

Supplied Accessories:

- 1) Accredited calibration certificate (ISO 17025)
- 2) Mounting screw, model 6543 (SHCS, 10-32 X .75), qty 1

Notes:

- [1] Measured at 100Hz, 1 Grms per ISA RP 37.2
- [2] Measured using zero-based straight line method, % of F.S. or any lesser range.
- [3] Low frequency response and phase response is function of charge amplifier. See graph below for example.
- [4] In the interest of constant product improvement, we reserve the right to change specifications without notice.
- [5] U.S. Patent number US 8,375,793 B2 applies to this unit.



Units on the line drawing are in inches, units in brackets are in millimeters. Refer to 127-3683C for more information.

