

4

3

2

1

PROPRIETARY AND CONFIDENTIAL

THE INFORMATION CONTAINED IN THIS DRAWING IS THE SOLE PROPERTY OF DYTRAN INSTRUMENTS INC. ANY REPRODUCTION IN PART OR AS A WHOLE WITHOUT THE WRITTEN PERMISSION OF DYTRAN INSTRUMENTS INC. IS PROHIBITED

DWG NO 127-3633A SH 1 REV A

REVISIONS

| REV. | ECN | DESCRIPTION | BY/DATE | CHK | APPR |
|------|-------|--------------------------------|-----------------|-----|------|
| A | 12905 | INITIAL RELEASE SAME AS REV X3 | NDC 12/11/18 | LN | EM |

CONNECTOR, 4-PIN
1/4-28 UNF-2A

4-40 UNC-2B
∇.10 [2.5]
TAPPED HOLE

RECOMMENDED MOUNTING PREPARATION:
SELECT A SURFACE AT LEAST .50 x .50 [12.7mm X 12.7mm], FLAT TO .001 TIR.
DRILL AND TAP 4-40 UNC-2B ∇.12 [3.0] MIN.
RECOMMENDED MOUNTING TORQUE: 6.0 - 8.0 Lb-in. [0.68 - 0.9 N-m]

5 MOUNTING STUD, MODEL 6721, 4-40 UNC-2A TO 4-40 UNC-2A, SUPPLIED

4 MATES WITH DYTRAN MODEL 6811AXX ("XX" DENOTES LENGTH IN FEET)

3 ARROWS INDICATE DIRECTION OF ACCELERATION FOR POSITIVE OUTPUT

2. HOUSING/CONNECTOR MATERIAL: TITANIUM ALLOY

1. WEIGHT: 5.6 GRAMS, MAX.

NOTES: UNLESS OTHERWISE SPECIFIED

UNLESS OTHERWISE SPECIFIED:
INTERPRET DIM & TOL PER
ASME Y14.5M - 1994.
REMOVE BURRS.
COUNTERSINK INTERNAL THDS
90° TO MAJOR DIA.
CHAM EXT THDS 45° TO MINOR DIA.
THD LENGTHS AND DEPTHS ARE FOR
MIN FULL THDS.
DIMENSIONS APPLY AFTER FINISHING.

ALL MACHINED SURFACES: ✓
TOTAL RUNOUT WITHIN .005.
BREAK SHARP EDGES .005 TO .010.
MACHINED FILLET RADII .005 TO .015.
WELDING SYMBOLS PER AWS A2.4.
ABBREVIATIONS PER MIL-STD-12.

UNLESS OTHERWISE SPECIFIED:
DIMENSIONS ARE IN INCHES.
DIMENSIONS IN BRACKETS [] ARE IN
MILLIMETERS TOLERANCES ARE:

| DECIMALS | METRIC | ANGLES |
|------------|-----------|--------|
| .XX ±.03 | X ± 0.8 | ±1° |
| .XXX ±.010 | .XX ±0.25 | |

| APPROVALS | | DATE |
|-----------|----|----------|
| ORIG | LN | 04/08/16 |
| CHK | LN | 12/14/18 |
| APP | EM | 12/17/18 |

DO NOT SCALE DRAWING

THIRD ANGLE PROJECTION
USA

DYTRAN
INSTRUMENTS, INC. Chatsworth, CA

MASTER ONLY IF IN RED

TITLE: **OUTLINE/INSTALLATION DWG, MODEL 3633A**

| SIZE | CAGE CODE | DWG NO | REV |
|------|-----------|-----------|-----|
| B | 2W033 | 127-3633A | A |

SCALE: 3:1

SHEET 1 OF 1

172-0186 REV A

4

3

2

1



- **LOW BIAS VOLTAGE**
- **EXCELLENT LINEARITY**
- **HERMETICALLY SEALED**
- **FOR APPLICATIONS WITH 80µs MINIMUM SHOCK PULSE WIDTH**

PHYSICAL

Weight, Max.
Connector, Type

Mounting
Material, Housing/Connector
Sensing Element

| ENGLISH | | SI | |
|----------------------------|----|----------------------------|-------|
| 0.16 | oz | 4.5 | grams |
| 4-pin, 1/4-28 | | 4-pin, 1/4-28 | |
| 4-40 UNC-2A Tapped Hole | | 4-40 UNC-2A Tapped Hole | |
| Titanium Alloy | | Titanium Alloy | |
| Quartz | | Quartz | |

PERFORMANCE

Sensitivity, ±10% [1]
Range, Full Scale (each axis)
Frequency Response, ± 5%
± 10%
± 3dB
Resonant Frequency
Equivalent Electrical Noise, Max.
Linearity [2]
Maximum Transverse sensitivity
Full Scale Voltage Output

| | | | |
|--------------|--------|--------------|----------------------|
| 0.1 | | 0.01 | |
| ±10,000 | mV/g | ±98,067 | m/s ² |
| 2 to 4000 | g | 2 to 4000 | m/s ² |
| 1 to 6000 | Hz | 1 to 6000 | Hz |
| 0.5 to 10000 | Hz | 0.5 to 10000 | Hz |
| >50 | kHz | >50 | kHz |
| 0.40 | grms | 3.92 | m/s ² rms |
| ±1 | % F.S. | ±1 | % F.S. |
| 6 | % | 6 | % |
| ±1 | Volts | ±1 | Volts |

ENVIRONMENTAL

Maximum Vibration
Maximum Shock [4]
Temperature Range
Seal
Base Strain Sensitivity @ 250µε
Magnetic Sensitivity, Typ.

| | | | |
|-------------|---------|-------------|-------------------------|
| ±11,000 | gpeak | ±107,873 | m/s ² peak |
| ±12,000 | gpeak | ±117,680 | m/s ² peak |
| -40 to +347 | °F | -40 to +175 | °C |
| Hermetic | | Hermetic | |
| < 0.15 | g/µε | < 1.5 | m/s ² /µε |
| 0.3 | g/Gauss | 2.9 | m/s ² /Gauss |

ELECTRICAL

Supply Current (each axis) [3]
Compliance Voltage, Nom (each axis)
Output Impedance, Typ.
Bias Voltage
Discharge Time Constant
Electrical Isolation

| | | | |
|---------------|-------|---------------|-------|
| 4 | mA | 4 | mA |
| 4.5 | Volts | 4.5 | Volts |
| 100 | Ω | 100 | Ω |
| +1.7 to +3.4 | VDC | +1.7 to +3.4 | VDC |
| 0.25 to 1.0 | Sec | 0.25 to 1.0 | Sec |
| Case Grounded | | Case Grounded | |

This family also includes:

| Model | Sensitivity (mV/g) | Frequency Response (Hz) | Time Constant (Sec) | Operating Temp (°F) |
|-------|--------------------|-------------------------|---------------------|---------------------|
| | | | | |
| | | | | |
| | | | | |

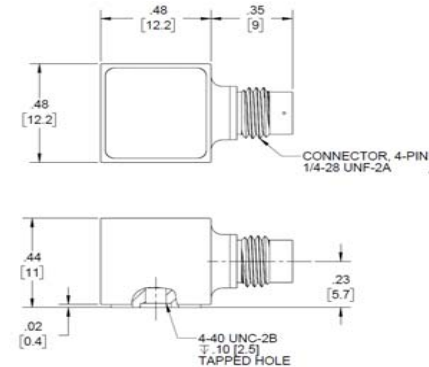
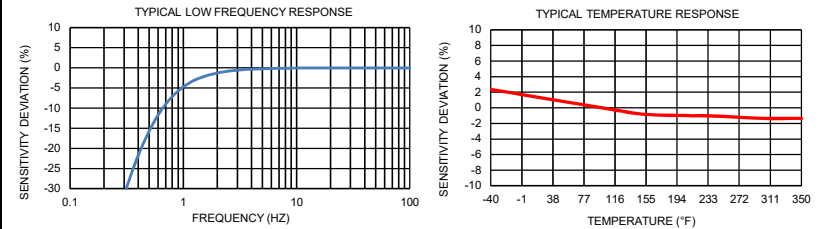
Refer to the performance specifications of the products in this family for detailed description

Supplied Accessories:

- 1) Accredited calibration certificate (ISO 17025)
- 2) Mounting stud, model 6721, 4-40 UNC-2A to 4-40 UNC-2A

Notes:

- [1] Measured at 100Hz, 1 grms per ISA RP 37.2.
- [2] Measured using zero-based straight line method, % of F.S. or any lesser range.
- [3] Do not apply power to this system without current limiting, 20mA MAX. To do so will destroy the IC charge amplifier.
- [4] Minimum shock pulse width: 80µs
- [5] In the interest of constant product improvement, we reserve the rights to change the specifications without notice. It is the customer's responsibility to validate that a particular product with the properties described in the product specification is suitable for use in a particular application. Parameters provided in datasheets and / or specifications may vary in different applications and performance may vary overtime. All operating parameters, including typical parameters, must be validated for each customer application by the customer's technical experts.



Units on the line drawing are in inches, units in brackets are in millimeters. Refer to 127-3633A for more information.

