

PROPRIETARY AND CONFIDENTIAL

THE INFORMATION CONTAINED IN THIS DRAWING IS THE SOLE PROPERTY OF DYTRAN INSTRUMENTS INC. ANY REPRODUCTION IN PART OR AS A WHOLE WITHOUT THE WRITTEN PERMISSION OF DYTRAN INSTRUMENTS INC. IS PROHIBITED

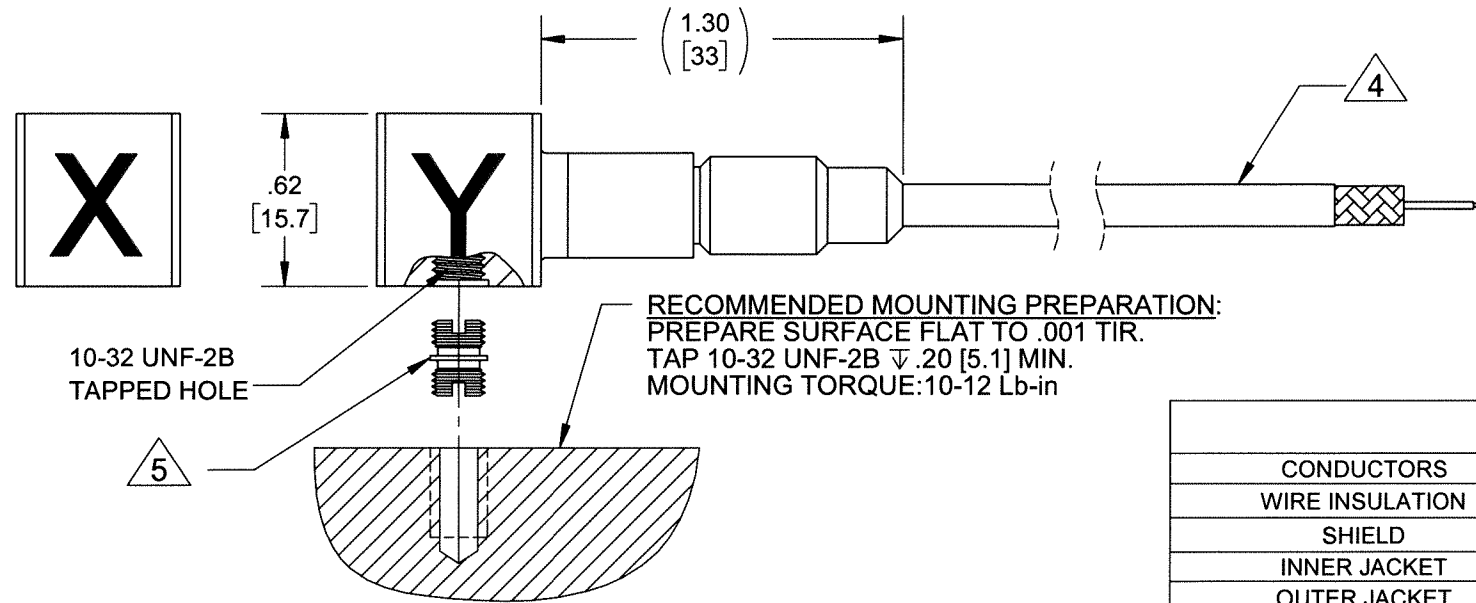
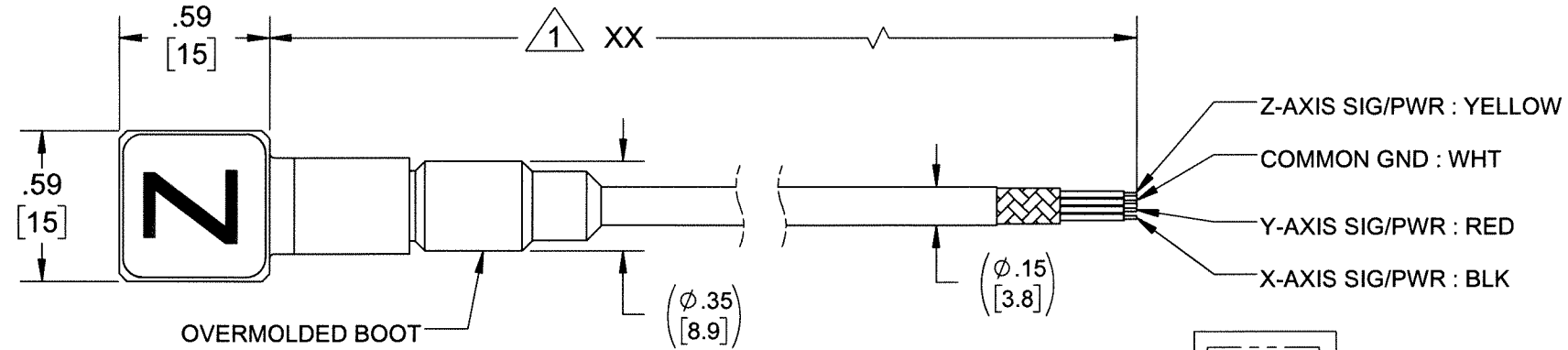
REVISIONS

REV.	ECN	DESCRIPTION	BY/DATE	CHK	APPR
A	14970	INITIAL RELEASE	KG 09/17/19	AM	LW

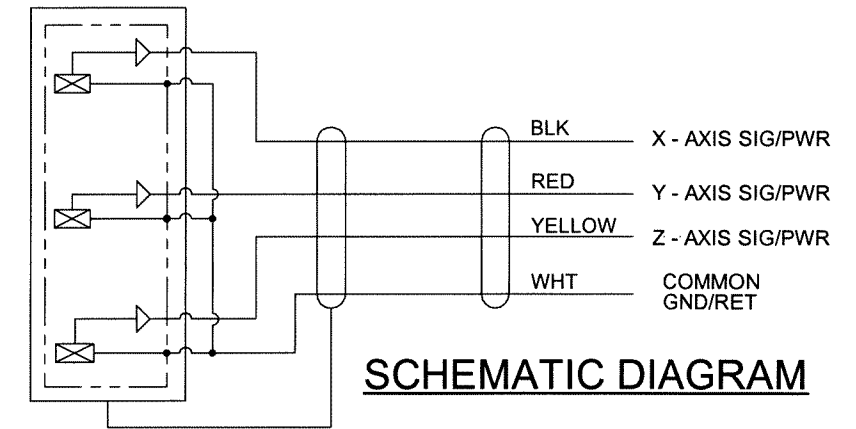
1 CABLE LENGTH TOLERANCE

≤1FT	+1/ -0 IN
>1 FT - 5 FT	+2/ -0 IN
> 5 FT - 10 FT	+4/ -0 IN
>10 FT - 25FT	+6 / -0 IN
>25 FT	+5% / -0%

MODEL NO	SENSITIVITY
3623A4T-XX	10 mV/g
3623A5T-XX	50 mV/g
3623A6T-XX	100 mV/g



RECOMMENDED MOUNTING PREPARATION:
 PREPARE SURFACE FLAT TO .001 TIR.
 TAP 10-32 UNF-2B ∇ .20 [5.1] MIN.
 MOUNTING TORQUE:10-12 Lb-in



4 4 CONDUCTOR, SHIELDED CABLE	
CONDUCTORS	28 AWG- 7/36 SILVER PLATED COPPER
WIRE INSULATION	PFA, .008 NOMINAL WALL
SHIELD	36 AWG SILVER PLATED COPPER BRAID, 90% COVERAGE, NOM
INNER JACKET	WHITE, TEFZEL
OUTER JACKET	ORANGE, POLYURETHANE, φ.150 IN. [3.81mm] NOM.
TEMPERATURE RATING	-55°C TO +100°C
WEIGHT IN AIR	12 LB. / 1000 FT.
PRESSURE RATING	200 PSI [1.38 MPa] MAX.
VOLTAGE	600 VOLTS
MINIMUM BEND DIAMETER	6 IN. [152.4mm]

7. RATING: IP68, SUBMERSED TO 100 PSI.

6 ARROWS INDICATE DIRECTION OF ACCELERATION FOR POSITIVE OUTPUT

5 MOUNTING STUD, 10-32 TO 10-32, MODEL 6200, SUPPLIED.

4 CABLE, 4 CONDUCTOR, POLYURETHANE. SEE TABLE FOR SPECIFICATIONS.

3. WEIGHT: 18 GRAMS, MAX. (LESS CABLE).

2. TEMPERATURE RATING: -55°C TO +100°C.

1 PART NUMBER 3623AXT-XX. ("XX" DENOTES LENGTH IN FEET).

NOTES: UNLESS OTHERWISE SPECIFIED

UNLESS OTHERWISE SPECIFIED:
 INTERPRET DIM & TOL PER
 ASME Y14.5M - 1994.
 REMOVE BURRS.
 COUNTERSINK INTERNAL THDS
 90° TO MAJOR DIA.
 CHAM EXT THDS 45° TO MINOR DIA.
 THD LENGTHS AND DEPTHS ARE FOR
 MIN FULL THDS.
 DIMENSIONS APPLY AFTER FINISHING.

ALL MACHINED SURFACES: \checkmark
 TOTAL RUNOUT WITHIN .005.
 BREAK SHARP EDGES .005 TO .010.
 MACHINED FILLET RADII .005 TO .015.
 WELDING SYMBOLS PER AWS A2.4.
 ABBREVIATIONS PER MIL-STD-12.


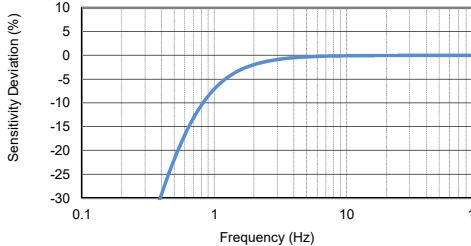
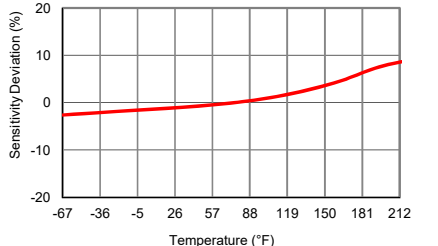
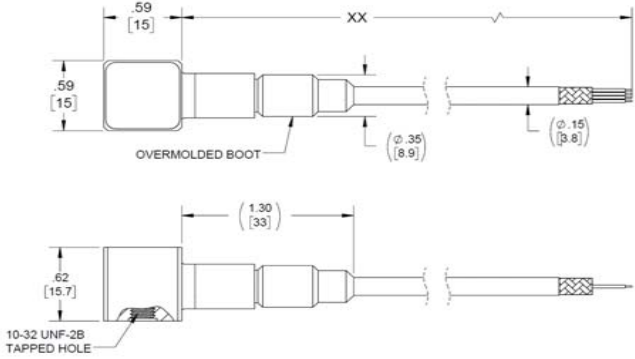
UNLESS OTHERWISE SPECIFIED:
 DIMENSIONS ARE IN INCHES
 DIMENSIONS IN BRACKETS [] ARE IN
 MILLIMETERS TOLERANCES ARE:

DECIMALS	METRIC	ANGLES
.XX ± .03	X ± 0.8	±1°
.XXX ± 0.10	.XX ± 0.25	

APPROVALS		DATE
ORIG	NDC	03/28/19
CHK	AM	09/17/19
APP	LW	9/17/19
DO NOT SCALE DRAWING		THIRD ANGLE PROJECTION USA

DYTRAN
 INSTRUMENTS, INC. Chatsworth, CA
MASTER
 ONLY IF IN RED

TITLE:			
OUTLINE/INSTALLATION DRAWING, 3623A4T-XX SERIES			
SIZE	CAGE CODE	DWG NO	REV
B	2W033	127-3623A4T-XX	A
SCALE: 3:2		SHEET 1 OF 1	

Model Number 3623A6T-XX	PERFORMANCE SPECIFICATION				DOC NO. PS3623A6T-XX	
			TRIAxIAL IEPE ACCELEROMETER		REV A, ECN 14970, 08/27/19	
 <ul style="list-style-type: none"> • GROUND ISOLATED • HERMETICALLY SEALED • STUD MOUNT • TEDS CAPABILITY • IP68 RATED, FULLY SUBMERSIBLE 						
		ENGLISH	SI			
PHYSICAL						
Weight, Max. (Less cable)		0.6	oz	18	grams	
Mounting Provision		10-32 Stud Mount		10-32 Stud Mount		
Integral Cable [1]	Type	4x 28AWG, Water-blocked		4x 28AWG, Water-blocked		
Housing	Material	Titanium		Titanium		
	Isolation	Case Isolated		Case Isolated		
Sensing Element	Material	Single Crystal		Single Crystal		
	Element	Shear		Shear		
PERFORMANCE						
Sensitivity, ±5% [2]		100	mV/g	10.2	mV/m/s ²	
Acceleration Range, ±		50	Gpeak	491	m/s ² peak	
Frequency Range, ±5% ±10%		1.4 to 3000	Hz	1.4 to 3000	Hz	
		0.9 to 4000	Hz	0.9 to 4000	Hz	
Resonance Frequency		> 15	kHz	> 15	kHz	
Linearity [3]		±1	% F.S.	±1	% F.S.	
Transverse Sensitivity, Max		6	%	6	%	
Noise floor		0.0007	Grms	0.01	m/s ² rms	
ELECTRICAL						
Supply Current Range [4]		2 to 20	mA	2 to 20	mA	
Compliance Voltage Range		+18 to +30	VDC	+18 to +30	VDC	
Output Impedance, Typ.		100	Ω	100	Ω	
Output Bias Voltage		+7 to +12	VDC	+7 to +12	VDC	
Discharge Time Constant		0.4 to 1.5	Sec	0.4 to 1.5	Sec	
Electrical Isolation		>100	MΩ	>100	MΩ	
ENVIRONMENTAL						
Maximum Shock, ±		1000	g pk	9810	m/s ²	
Maximum Vibration, ±		600	g pk	5886	m/s ²	
Operating Temperature		-67 to +212	°F	-55 to +100	°C	
TEDs Operating Temperature		-40 to +185	°F	-40 to +85	°C	
TEDs Feature [5]		IEEE 1451.4		IEEE 1451.4		
Base Strain Sensitivity		0.002	g/με	0.02	m/s ² /με	
Seal		Hermetic		Hermetic		
Maximum Ambient Pressure		100	psi	0.69	MPa	
This family also includes:						
Model	Sensitivity (mV/g)	Range (Gpeak)	Noise(Grms)	Temp Range (°F)	Time Constant (sec)	
3623A4T-XX	10	500	0.007	-67 to +212	0.4 to 1.5	
3623A5T-XX	50	100	0.0002	-67 to +212	0.4 to 1.5	
Refer to the performance specifications of the products in this family for detailed description.						
Supplied Accessories:						
1) Accredited Calibration Certificate (ISO 17025).						
2) Mounting stud model 6200, (10-32 to 10-32), qty 1.						
Notes:						
[1] Model number: 3623AXT-XX. "XX" denotes cable length in feet.						
[2] Measured At 100 Hz, 1 Grms per ISA RP 37.2.						
[3] Measured using zero-based best straight-line method.						
[4] Do not apply power to this device without current limiting, 20mA Max, to do so will destroy the integral IC amplifier.						
[5] TEDs is unlocked version.						
[6] In the interest of constant product improvement, we reserve the right to change specifications without notice.						
It is the customer's responsibility to validate that a particular product with the properties described in the product specification is suitable for use in a particular application. Parameters provided in datasheets and / or specifications may vary in different applications and performance may vary overtime. All operating parameters, including typical parameters, must be validated for each customer application by the customer's technical experts.						
<div style="display: flex; justify-content: space-around;"> <div data-bbox="1003 792 1512 1068"> <p>TYPICAL LOW FREQUENCY RESPONSE</p>  </div> <div data-bbox="1512 792 1988 1068"> <p>TYPICAL TEMPERATURE RESPONSE</p>  </div> </div>						
						
Units on the line drawing are in inches, units in brackets are in millimeters. Refer to 127-3623A4T-XX for more information.						

