

PROPRIETARY AND CONFIDENTIAL

THE INFORMATION CONTAINED IN THIS DRAWING IS THE SOLE PROPERTY OF DYTRAN INSTRUMENTS INC. ANY REPRODUCTION IN PART OR AS A WHOLE WITHOUT THE WRITTEN PERMISSION OF DYTRAN INSTRUMENTS INC. IS PROHIBITED

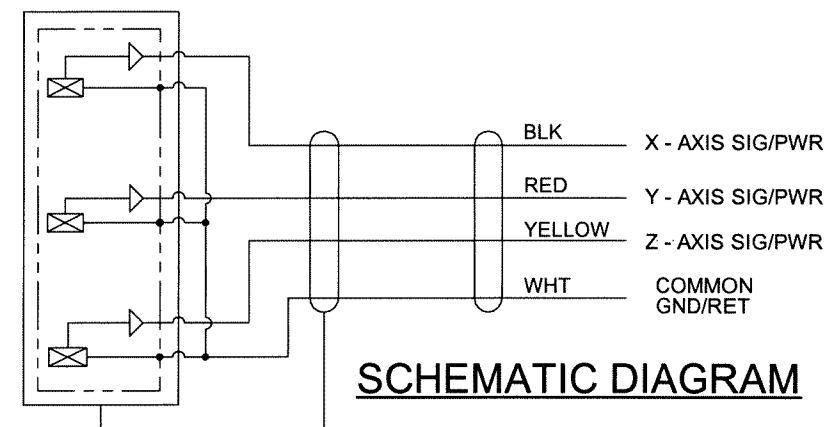
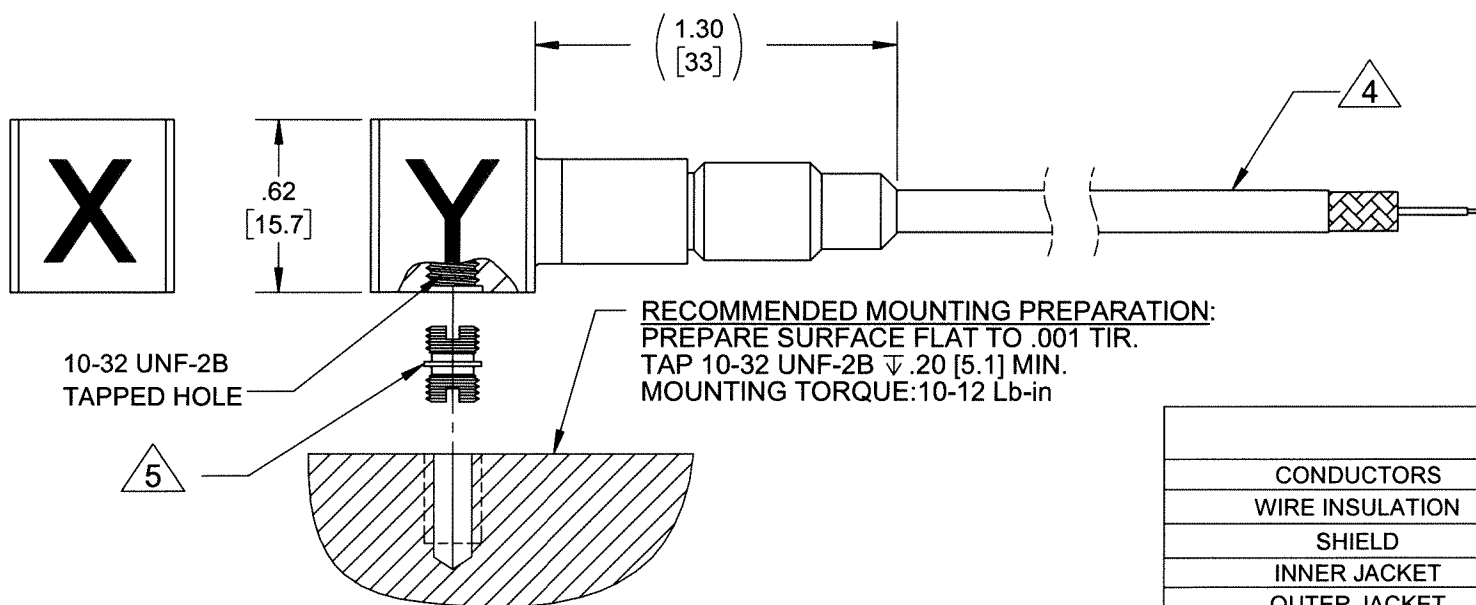
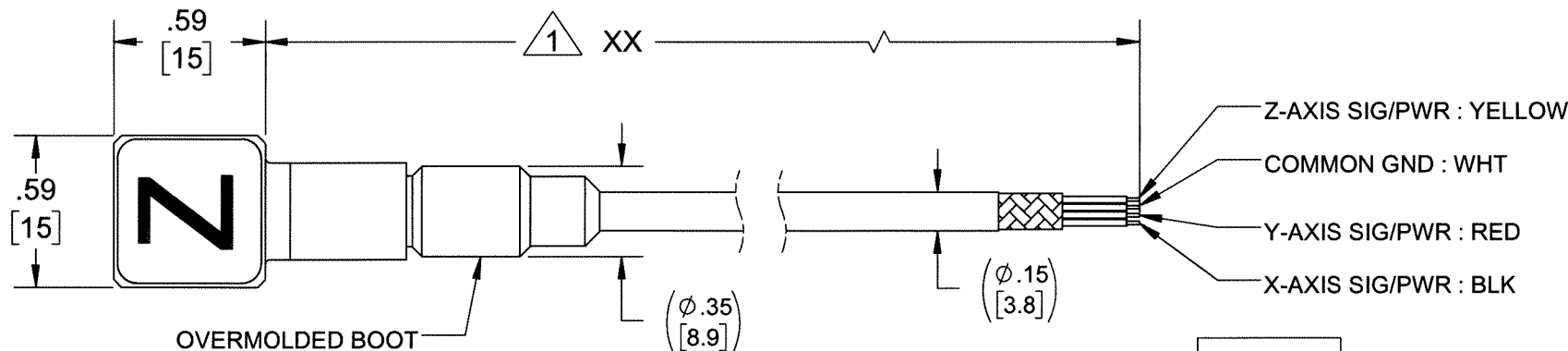
REVISIONS

REV.	ECN	DESCRIPTION	BY/DATE	CHK	APPR
A	14970	INITIAL RELEASE	KG 09/17/19	AM	LW

1 CABLE LENGTH TOLERANCE

≤1FT	+1/ -0 IN
>1 FT - 5 FT	+2/ -0 IN
> 5 FT - 10 FT	+4/ -0 IN
>10 FT - 25FT	+6 / -0 IN
>25 FT	+5% / -0%

MODEL NO	SENSITIVITY
3623A4T-XX	10 mV/g
3623A5T-XX	50 mV/g
3623A6T-XX	100 mV/g



4 4 CONDUCTOR, SHIELDED CABLE

CONDUCTORS	28 AWG- 7/36 SILVER PLATED COPPER
WIRE INSULATION	PFA, .008 NOMINAL WALL
SHIELD	36 AWG SILVER PLATED COPPER BRAID, 90% COVERAGE, NOM
INNER JACKET	WHITE, TEFZEL
OUTER JACKET	ORANGE, POLYURETHANE, φ.150 IN. [3.81mm] NOM.
TEMPERATURE RATING	-55°C TO +100°C
WEIGHT IN AIR	12 LB. / 1000 FT.
PRESSURE RATING	200 PSI [1.38 MPa] MAX.
VOLTAGE	600 VOLTS
MINIMUM BEND DIAMETER	6 IN. [152.4mm]

7. RATING: IP68, SUBMERSED TO 100 PSI.

6 ARROWS INDICATE DIRECTION OF ACCELERATION FOR POSITIVE OUTPUT

5 MOUNTING STUD, 10-32 TO 10-32, MODEL 6200, SUPPLIED.

4 CABLE, 4 CONDUCTOR, POLYURETHANE. SEE TABLE FOR SPECIFICATIONS.

3. WEIGHT: 18 GRAMS, MAX. (LESS CABLE).

2. TEMPERATURE RATING: -55°C TO +100°C.

1 PART NUMBER 3623AXT-XX. ("XX" DENOTES LENGTH IN FEET).

NOTES: UNLESS OTHERWISE SPECIFIED

UNLESS OTHERWISE SPECIFIED: INTERPRET DIM & TOL PER ASME Y14.5M - 1994. REMOVE BURRS. COUNTERSINK INTERNAL THDS 90° TO MAJOR DIA. CHAM EXT THDS 45° TO MINOR DIA. THD LENGTHS AND DEPTHS ARE FOR MIN FULL THDS. DIMENSIONS APPLY AFTER FINISHING.

ALL MACHINED SURFACES: TOTAL RUNOUT WITHIN .005. BREAK SHARP EDGES .005 TO .010. MACHINED FILLET RADII .005 TO .015. WELDING SYMBOLS PER AWS A2.4. ABBREVIATIONS PER MIL-STD-12.

UNLESS OTHERWISE SPECIFIED: DIMENSIONS ARE IN INCHES. DIMENSIONS IN BRACKETS [] ARE IN MILLIMETERS TOLERANCES ARE: DECIMALS METRIC ANGLES .XX ± .03 X ± 0.8 ± 1° .XXX ± .010 .XX ± 0.25

APPROVALS		DATE
ORIG	NDC	03/28/19
CHK	AM	09/17/19
APP	LW	9/17/19
DO NOT SCALE DRAWING		THIRD ANGLE PROJECTION

DYTRAN INSTRUMENTS, INC. Chatsworth, CA MASTER ONLY IF IN RED

TITLE: OUTLINE/INSTALLATION DRAWING, 3623A4T-XX SERIES

SIZE B	CAGE CODE 2W033	DWG NO 127-3623A4T-XX	REV A
SCALE: 3:2		SHEET 1 OF 1	

Model Number 3623A5T-XX	PERFORMANCE SPECIFICATION	DOC NO. PS3623A5T-XX
	TRIAxIAL IEPE ACCELEROMETER	REV A, ECN 14970, 08/27/19



- GROUND ISOLATED
- HERMETICALLY SEALED
- STUD MOUNT
- TEDS CAPABILITY
- IP68 RATED, FULLY SUBMERSIBLE

	ENGLISH		SI	
PHYSICAL				
Weight, Max. (Less cable)	0.6	oz	18	grams
Mounting Provision	10-32 Stud Mount		10-32 Stud Mount	
Integral Cable [1]	Type			
	4x 28AWG, Water-blocked		4x 28AWG, Water-blocked	
Housing	Material		Titanium	
	Isolation		Case Isolated	
Sensing Element	Material		Single Crystal	
	Element		Shear	

PERFORMANCE

Sensitivity, ±5% [2]	50	mV/g	5.10	mV/m/s ²
Acceleration Range, ±	100	Gpeak	981	m/s ² peak
Frequency Range, ±5%	1.4 to 3000	Hz	1.4 to 3000	Hz
±10%	0.9 to 4000	Hz	0.9 to 4000	Hz
Resonance Frequency	> 15	kHz	> 15	kHz
Linearity [3]	±1	% F.S.	±1	% F.S.
Transverse Sensitivity, Max	6	%	6	%
Noise floor	0.0002	Grms	0.002	m/s ² rms

ELECTRICAL

Supply Current Range [4]	2 to 20	mA	2 to 20	mA
Compliance Voltage Range	+18 to +30	VDC	+18 to +30	VDC
Output Impedance, Typ.	100	Ω	100	Ω
Output Bias Voltage	+7 to +12	VDC	+7 to +12	VDC
Discharge Time Constant	0.4 to 1.5	Sec	0.4 to 1.5	Sec
Electrical Isolation	>100	MΩ	>100	MΩ

ENVIRONMENTAL

Maximum Shock, ±	1000	g pk	9810	m/s ²
Maximum Vibration, ±	600	g pk	5886	m/s ²
Operating Temperature	-67 to +212	°F	-55 to +100	°C
TEDs Operating Temperature	-40 to +185	°F	-40 to +85	°C
TEDs Feature [5]	IEEE 1451.4		IEEE 1451.4	
Base Strain Sensitivity	0.002	g/με	0.02	m/s ² /με
Seal	Hermetic		Hermetic	
Maximum Ambient Pressure	100	psi	0.69	MPa

This family also includes:

Model	Sensitivity (mV/g)	Range (Gpeak)	Noise(Grms)	Temp Range (°F)	Time Constant (sec)
3623A4T-XX	10	500	0.007	-67 to +212	0.4 to 1.5
3623A6T-XX	100	50	0.0007	-67 to +212	0.4 to 1.5

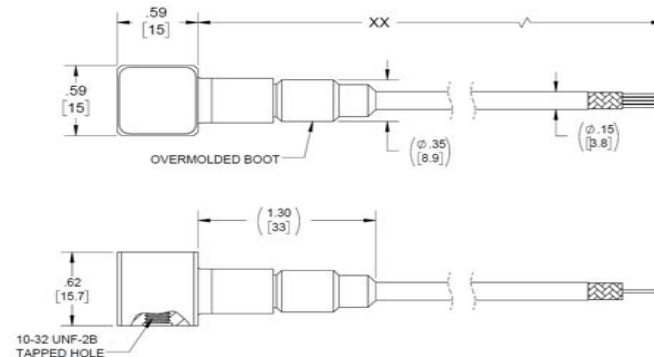
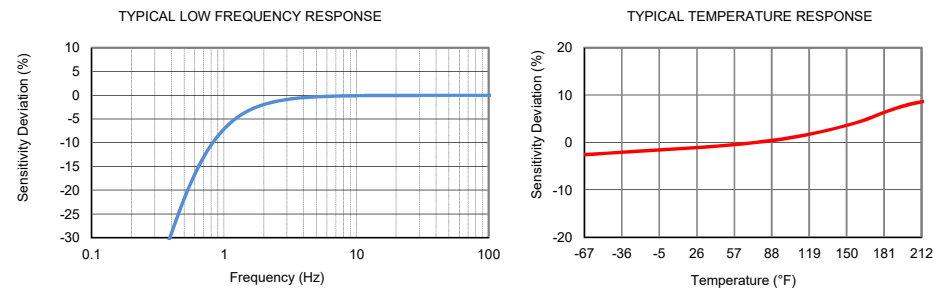
Refer to the performance specifications of the products in this family for detailed description.

Supplied Accessories:

- 1) Accredited Calibration Certificate (ISO 17025).
- 2) Mounting stud model 6200, (10-32 to 10-32), qty 1.

Notes:

- [1] Model number: 3623AXT-XX. "XX" denotes cable length in feet.
- [2] Measured At 100 Hz, 1 Grms per ISA RP 37.2.
- [3] Measured using zero-based best straight-line method.
- [4] Do not apply power to this device without current limiting, 20mA Max, to do so will destroy the integral IC amplifier.
- [5] TEDs is unlocked version.
- [6] In the interest of constant product improvement, we reserve the right to change specifications without notice. It is the customer's responsibility to validate that a particular product with the properties described in the product specification is suitable for use in a particular application. Parameters provided in datasheets and / or specifications may vary in different applications and performance may vary overtime. All operating parameters, including typical parameters, must be validated for each customer application by the customer's technical experts.



Units on the line drawing are in inches, units in brackets are in millimeters. Refer to 127-3623A4T-XX for more information.

