

PROPRIETARY AND CONFIDENTIAL

THE INFORMATION CONTAINED IN THIS DRAWING IS THE SOLE PROPERTY OF DYTRAN INSTRUMENTS INC. ANY REPRODUCTION IN PART OR AS A WHOLE WITHOUT THE WRITTEN PERMISSION OF DYTRAN INSTRUMENTS INC. IS PROHIBITED

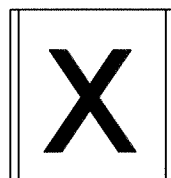
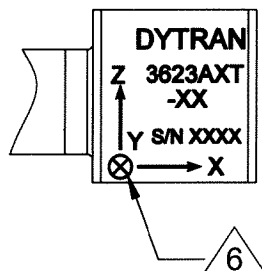
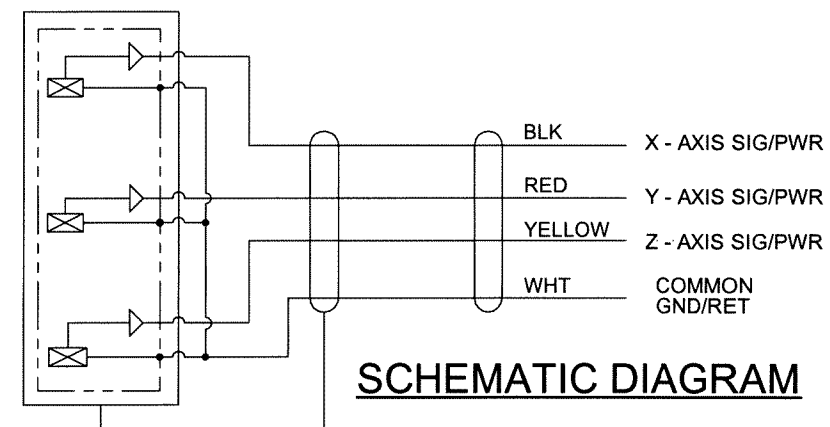
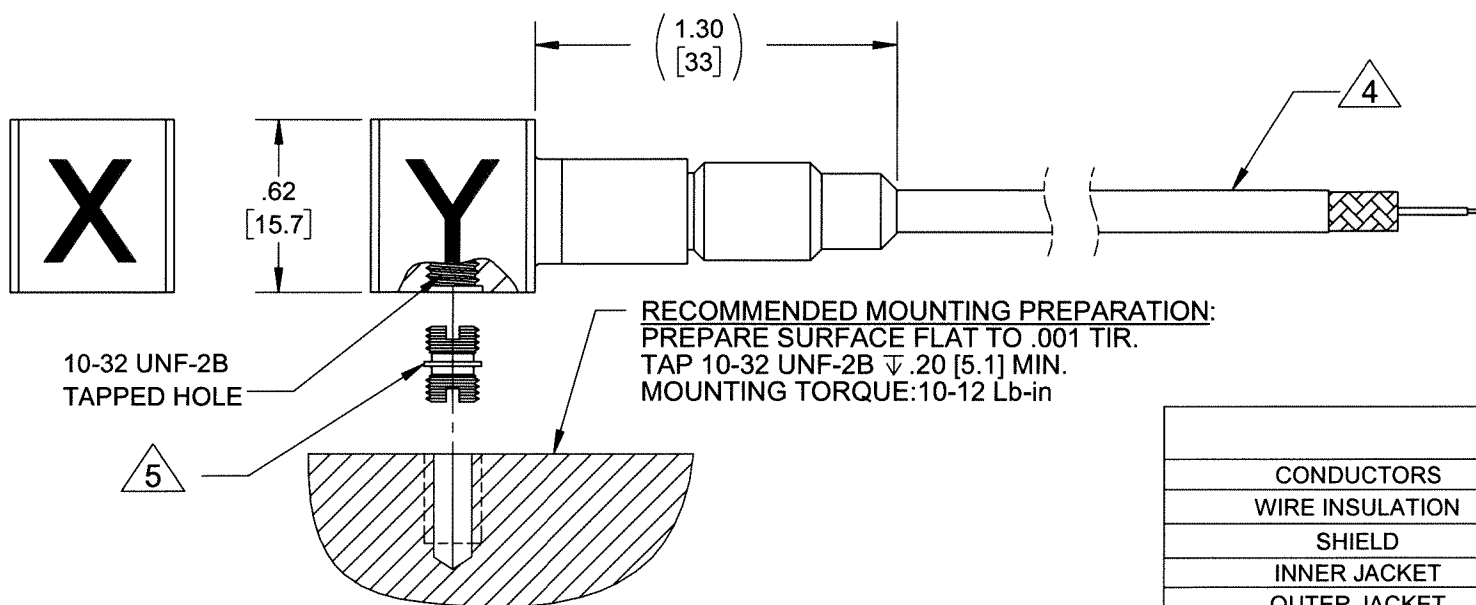
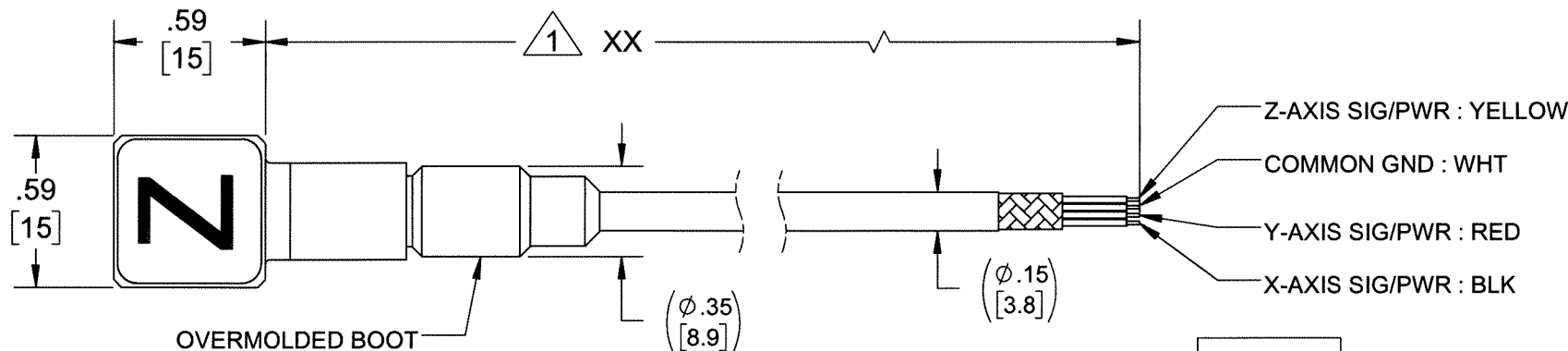
REVISIONS

REV.	ECN	DESCRIPTION	BY/DATE	CHK	APPR
A	14970	INITIAL RELEASE	KG 09/17/19	AM	LW

1 CABLE LENGTH TOLERANCE

≤1FT	+1/ -0 IN
>1 FT - 5 FT	+2/ -0 IN
> 5 FT - 10 FT	+4/ -0 IN
>10 FT - 25FT	+6 / -0 IN
>25 FT	+5% / -0%

MODEL NO	SENSITIVITY
3623A4T-XX	10 mV/g
3623A5T-XX	50 mV/g
3623A6T-XX	100 mV/g



10-32 UNF-2B TAPPED HOLE

RECOMMENDED MOUNTING PREPARATION:
PREPARE SURFACE FLAT TO .001 TIR.
TAP 10-32 UNF-2B ∇.20 [5.1] MIN.
MOUNTING TORQUE:10-12 Lb-in

4 4 CONDUCTOR, SHIELDED CABLE

CONDUCTORS	28 AWG- 7/36 SILVER PLATED COPPER
WIRE INSULATION	PFA, .008 NOMINAL WALL
SHIELD	36 AWG SILVER PLATED COPPER BRAID, 90% COVERAGE, NOM
INNER JACKET	WHITE, TEFZEL
OUTER JACKET	ORANGE, POLYURETHANE, φ.150 IN. [3.81mm] NOM.
TEMPERATURE RATING	-55°C TO +100°C
WEIGHT IN AIR	12 LB. / 1000 FT.
PRESSURE RATING	200 PSI [1.38 MPa] MAX.
VOLTAGE	600 VOLTS
MINIMUM BEND DIAMETER	6 IN. [152.4mm]

7. RATING: IP68, SUBMERSED TO 100 PSI.

6 ARROWS INDICATE DIRECTION OF ACCELERATION FOR POSITIVE OUTPUT

5 MOUNTING STUD, 10-32 TO 10-32, MODEL 6200, SUPPLIED.

4 CABLE, 4 CONDUCTOR, POLYURETHANE. SEE TABLE FOR SPECIFICATIONS.

3. WEIGHT: 18 GRAMS, MAX. (LESS CABLE).

2. TEMPERATURE RATING: -55°C TO +100°C.

1 PART NUMBER 3623AXT-XX. ("XX" DENOTES LENGTH IN FEET).

NOTES: UNLESS OTHERWISE SPECIFIED

UNLESS OTHERWISE SPECIFIED:
INTERPRET DIM & TOL PER ASME Y14.5M - 1994.
REMOVE BURRS.
COUNTERSINK INTERNAL THDS 90° TO MAJOR DIA.
CHAM EXT THDS 45° TO MINOR DIA.
THD LENGTHS AND DEPTHS ARE FOR MIN FULL THDS.
DIMENSIONS APPLY AFTER FINISHING.

63/

ALL MACHINED SURFACES:
TOTAL RUNOUT WITHIN .005.
BREAK SHARP EDGES .005 TO .010.
MACHINED FILLET RADII .005 TO .015.
WELDING SYMBOLS PER AWS A2.4.
ABBREVIATIONS PER MIL-STD-12.

UNLESS OTHERWISE SPECIFIED:
DIMENSIONS ARE IN INCHES
DIMENSIONS IN BRACKETS [] ARE IN MILLIMETERS TOLERANCES ARE:

DECIMALS	METRIC	ANGLES
.XX ±.03	X ± 0.8	±1°
.XXX ±.010	.XX ±0.25	

APPROVALS		DATE
ORIG	NDC	03/28/19
CHK	AM	09/17/19
APP	LW	9/17/19

DO NOT SCALE DRAWING

THIRD ANGLE PROJECTION USA

DYTRAN INSTRUMENTS, INC. Chatsworth, CA

MASTER ONLY IF IN RED

TITLE:
**OUTLINE/INSTALLATION DRAWING,
3623A4T-XX SERIES**

SIZE	CAGE CODE	DWG NO	REV
B	2W033	127-3623A4T-XX	A

SCALE: 3:2

SHEET 1 OF 1

Model Number 3623A4T-XX	PERFORMANCE SPECIFICATION	DOC NO. PS3623A4T-XX
	TRIAxIAL IEPE ACCELEROMETER	REV A, ECN 14970, 08/27/19



- GROUND ISOLATED
- HERMETICALLY SEALED
- STUD MOUNT
- TEDS CAPABILITY
- IP68 RATED, FULLY SUBMERSIBLE

	ENGLISH		SI	
Weight, Max. (Less cable)	0.6	oz	18	grams
Mounting Provision	10-32 Stud Mount		10-32 Stud Mount	
Integral Cable [1]	4x 28AWG, Water-blocked	Type	4x 28AWG, Water-blocked	
Housing	Titanium	Material	Titanium	
Isolation	Case Isolated	Material	Case Isolated	
Sensing Element	Single Crystal	Material	Single Crystal	
	Shear	Element	Shear	

PERFORMANCE

Sensitivity, ±5% [2]	10	mV/g	1.02	mV/m/s ²
Acceleration Range, ±	500	Gpeak	4905	m/s ² peak
Frequency Range, ±5%	1.4 to 3000	Hz	1.4 to 3000	Hz
±10%	0.9 to 4000	Hz	0.9 to 4000	Hz
Resonance Frequency	> 15	kHz	> 15	kHz
Linearity [3]	±1	% F.S.	±1	% F.S.
Transverse Sensitivity, Max	6	%	6	%
Noise floor	0.007	Grms	0.07	m/s ² rms

ELECTRICAL

Supply Current Range [4]	2 to 20	mA	2 to 20	mA
Compliance Voltage Range	+18 to +30	VDC	+18 to +30	VDC
Output Impedance, Typ.	100	Ω	100	Ω
Output Bias Voltage	+7 to +12	VDC	+7 to +12	VDC
Discharge Time Constant	0.4 to 1.5	Sec	0.4 to 1.5	Sec
Electrical Isolation	>100	MΩ	>100	MΩ

ENVIRONMENTAL

Maximum Shock, ±	1000	g pk	9810	m/s ²
Maximum Vibration, ±	600	g pk	5886	m/s ²
Operating Temperature	-67 to +212	°F	-55 to +100	°C
TEDs Operating Temperature	-40 to +185	°F	-40 to +85	°C
TEDs Feature [5]	IEEE 1451.4		IEEE 1451.4	
Base Strain Sensitivity	0.002	g/με	0.02	m/s ² /με
Seal	Hermetic		Hermetic	
Maximum Ambient Pressure	100	psi	0.69	MPa

This family also includes:

Model	Sensitivity (mV/g)	Range (Gpeak)	Noise(Grms)	Temp Range (°F)	Time Constant (sec)
3623A5T-XX	50	100	0.0002	-67 to +212	0.4 to 1.5
3623A6T-XX	100	50	0.0007	-67 to +212	0.4 to 1.5

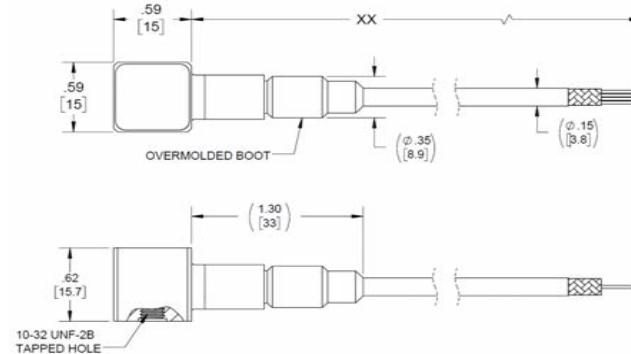
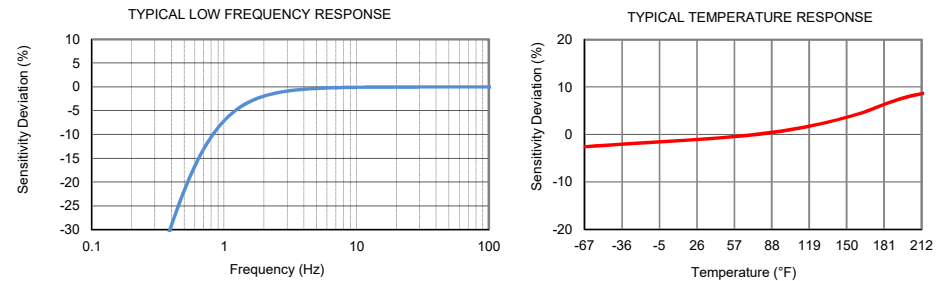
Refer to the performance specifications of the products in this family for detailed description.

Supplied Accessories:

- 1) Accredited Calibration Certificate (ISO 17025).
- 2) Mounting stud model 6200, (10-32 to 10-32), qty 1.

Notes:

- [1] Model number: 3623AXT-XX. "XX" denotes cable length in feet.
- [2] Measured At 100 Hz, 1 Grms per ISA RP 37.2.
- [3] Measured using zero-based best straight-line method.
- [4] Do not apply power to this device without current limiting, 20mA Max, to do so will destroy the integral IC amplifier.
- [5] TEDs is unlocked version.
- [6] In the interest of constant product improvement, we reserve the right to change specifications without notice. It is the customer's responsibility to validate that a particular product with the properties described in the product specification is suitable for use in a particular application. Parameters provided in datasheets and / or specifications may vary in different applications and performance may vary overtime. All operating parameters, including typical parameters, must be validated for each customer application by the customer's technical experts.



Units on the line drawing are in inches, units in brackets are in millimeters. Refer to 127-3623A4T-XX for more information.

