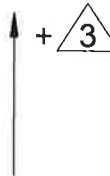
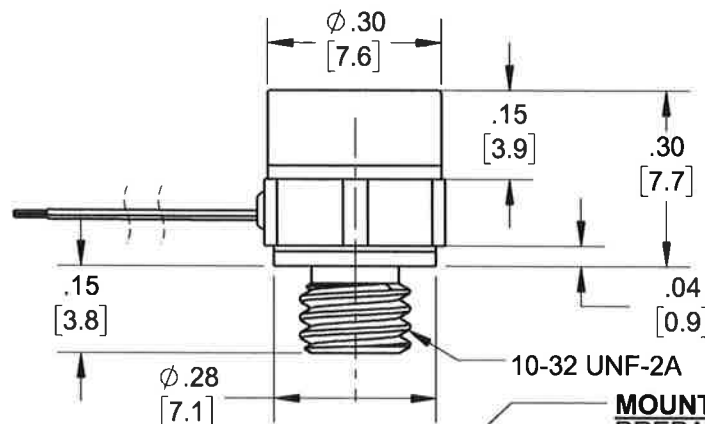
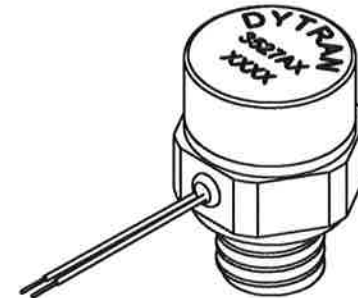
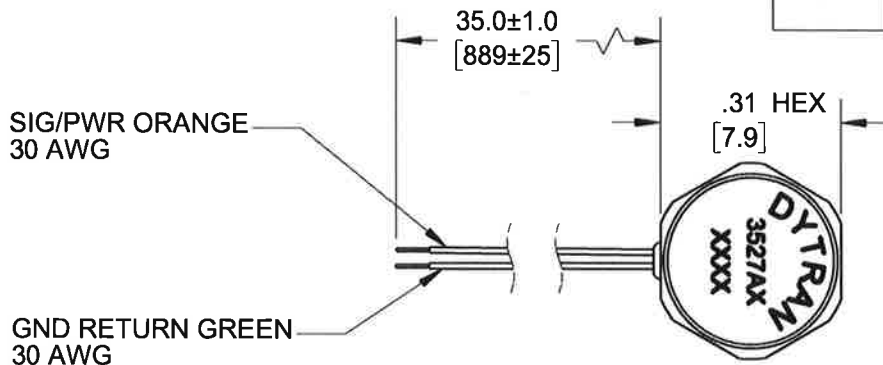


**PROPRIETARY AND CONFIDENTIAL**

THE INFORMATION CONTAINED IN THIS DRAWING IS THE SOLE PROPERTY OF DYTRAN INSTRUMENTS INC. ANY REPRODUCTION IN PART OR AS A WHOLE WITHOUT THE WRITTEN PERMISSION OF DYTRAN INSTRUMENTS INC. IS PROHIBITED

**REVISIONS**

REV	ECN	DESCRIPTION	BY/DATE	CHK	APPR
A	13174	INITIAL RELEASE SAME AS REV X2	LN 12/09/16	<i>[Signature]</i>	AS



MODEL	RANGE
3527A1	30,000g
3527A2	50,000g

- 3 ARROW INDICATES ACCELERATION DIRECTION FOR POSITIVE OUTPUT.
- WEIGHT 2.0 GRAMS MAX.
  - HOUSING MATERIAL: TITANIUM

**MOUNTING RECOMMENDATION:**  
 PREPARE A MOUNTING AREA  $\phi$  .30 [7.6] MIN, FLAT TO .001 TIR.  
 TAP 10-32 UNF-2B  $\nabla$  .20 [5.0] MIN.  
 MOUNTING TORQUE: 10-12 Lb-in.

NOTES: UNLESS OTHERWISE SPECIFIED

USED ON	NEXT ASSY	APPLICATION	THIRD ANGLE PROJECTION USA

UNLESS OTHERWISE SPECIFIED:  
 INTERPRET DIM & TOL PER ASME Y14.5M - 1994.  
 REMOVE BURRS.  
 COUNTERSINK INTERNAL THDS 90° TO MAJOR DIA.  
 CHAM EXT THDS 45° TO MINOR DIA.  
 THD LENGTHS AND DEPTHS ARE FOR MIN FULL THDS.  
 THDS PER MIL-S-7742.  
 DIMENSIONS APPLY AFTER FINISHING.

ALL MACHINED SURFACES. TOTAL RUNOUT WITHIN .005. BREAK SHARP EDGES .005 TO .010. MACHINED FILLET RADII .005 TO .015. WELDING SYMBOLS PER AWS A2.4. ABBREVIATIONS PER MIL-STD-12.

UNLESS OTHERWISE SPECIFIED:  
 DIMENSIONS ARE IN INCHES. DIMENSIONS IN BRACKETS [ ] ARE IN MILLIMETERS  
 TOLERANCES ARE:  
 INCHES METRIC ANGLES  
 .XX ± .03 .X ± 0.8 ± 1°  
 .XXX ± .010 .XX ± 0.25

MATERIAL

FINISH

**DO NOT SCALE DRAWING**

CONTRACT NO.

APPROVALS		DATE
ORIG	DV	08/17/15
CHK	<i>[Signature]</i>	12/9/16
APP	AS	12/16/16
APP		

**MASTER**  
**DYTRAN INSTRUMENTS, INC.**  
 ONLY IF IN RED  
 Chatsworth, CA

TITLE:  
**OUTLINE/INSTALLATION DRAWING, MODEL 3527A1**

SIZE	CAGE CODE	DWG. NO.	REV
<b>A</b>	<b>2W033</b>	<b>127-3527A1</b>	<b>A</b>

SCALE: NONE      SOLIDWORKS      SHEET 1 OF 1



- HIGH TEMPERATURE
- LOW BIAS VOLTAGE
- FLYING LEADS
- EXCELLENT LINEARITY

**PHYSICAL**

Weight, Max (Less Cable)  
 Electrical Connection      Integral Cables  
 Mounting Provision : Integral Stud  
 Material : Housing and Base

ENGLISH		SI	
0.07	oz	2	grams
Flying Leads, 30 AWG		Flying Leads, 30 AWG	
10-32 UNF-2A		10-32 UNF-2A	
Titanium		Titanium	

**PERFORMANCE**

Sensitivity, ±20% [1]  
 Range F.S for ± 1 Volts Output  
 Frequency Response, ± 3db  
 Resonant Frequency  
 Equivalent Electrical Noise Floor  
 Linearity [2]  
 Maximum Transverse sensitivity  
 Base Strain Sensitivity @ 250 µε

0.02	mV/g	0.002	mV/m/s <sup>2</sup>
±50,000	g	±294300	m/s <sup>2</sup>
0.5 to 10,000	Hz	0.5 to 10,000	Hz
>30	kHz	>30	kHz
1.5	Grms	15	m/s <sup>2</sup> rms
± 1%	% F.S.	± 1%	% F.S.
5	%	5	%
0.2	g/µε	1.96	m/s <sup>2</sup> /µε

**ENVIRONMENTAL**

Maximum Vibration  
 Maximum Shock  
 Temperature Range  
 Seal

±60,000	G's, peak	±588600	m/s <sup>2</sup> peak
±75,000	G's, peak	±735750	m/s <sup>2</sup> peak
-45 to +347	°F	-45 to +175	°C
Epoxy/Welded		Epoxy/Welded	

**Electrical**

Excitation Current  
 Compliance Voltage Range  
 Output Impedance, Typ  
 Bias Voltage  
 Discharge Time Constant  
 Output Signal Polarity for Acceleration Towards Top

3 to 5	mA	3 to 5	mA
4 to 5	Volts	4 to 5	Volts
100	Ω	100	Ω
+1.7 to + 3.4	VDC	+1.7 to + 3.4	VDC
0.3 to 0.8	Sec	0.3 to 0.8	Sec
Positive		Positive	

**This family also includes:**

Model	Sensitivity (mV/g)	Range (g pk)	Max Vibration/Shock (g pk)	Resonant Freq (kHz)
3527A1	0.033	±30,000	±40,000 / ±50,000	>30

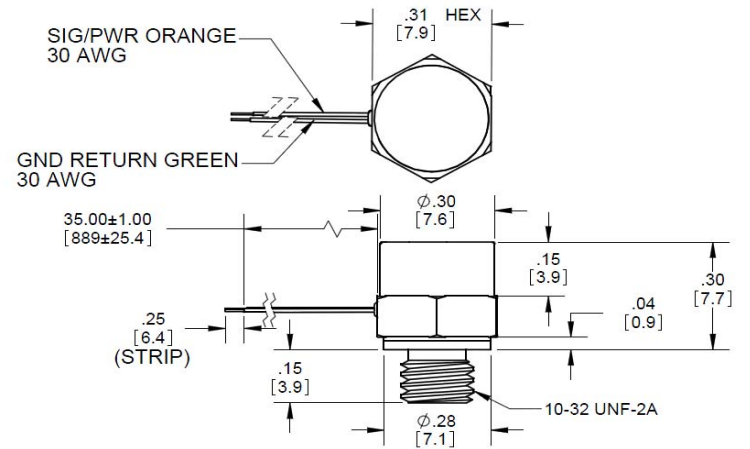
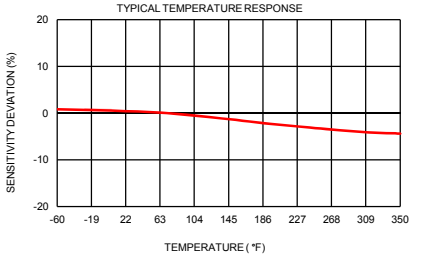
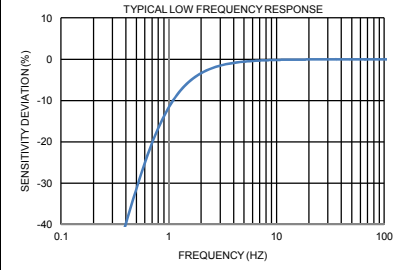
Refer to the performance specifications of the products in this family for detailed description.

**Supplied Accessories:**

- 1) Accredited calibration certificate (ISO 17025)

**Notes:**

- [1] Measure at 100Hz, 10 Grms per ISA RP 37.2
- [2] Measure using zero based best-fit straight line method, % of F.S. or any lesser range.
- [3] Do not apply power to this system without current limiting, 20 mA MAX. To do so will destroy the IC charge amplifier.



Units on the line drawing are in inches, units in brackets are in millimeters. Refer to 127-3527A1 for more information.

