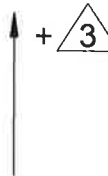
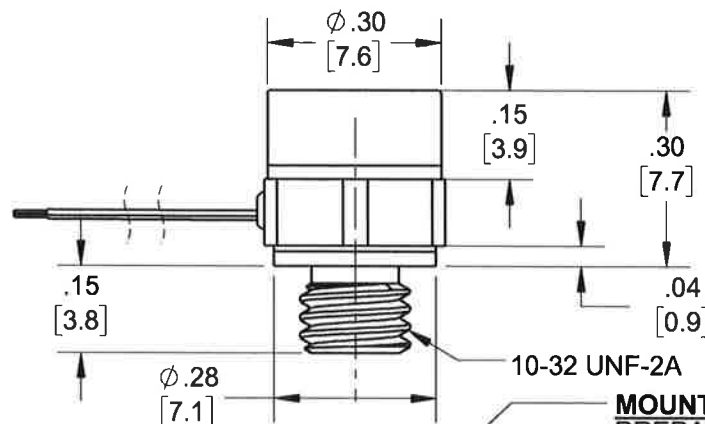
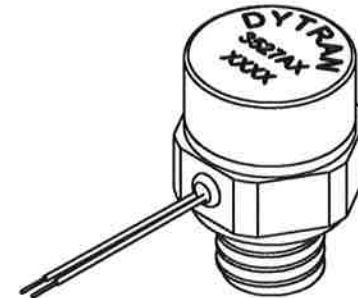
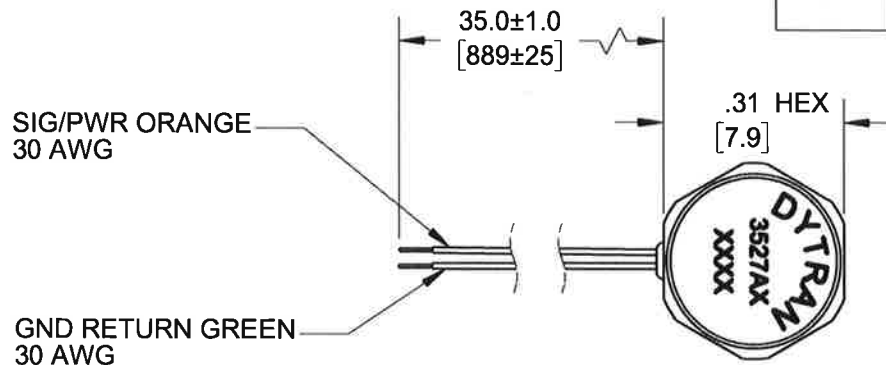


PROPRIETARY AND CONFIDENTIAL

THE INFORMATION CONTAINED IN THIS DRAWING IS THE SOLE PROPERTY OF DYTRAN INSTRUMENTS INC. ANY REPRODUCTION IN PART OR AS A WHOLE WITHOUT THE WRITTEN PERMISSION OF DYTRAN INSTRUMENTS INC. IS PROHIBITED

REVISIONS

REV	ECN	DESCRIPTION	BY/DATE	CHK	APPR
A	13174	INITIAL RELEASE SAME AS REV X2	LN 12/09/16	<i>[Signature]</i>	AS



MODEL	RANGE
3527A1	30,000g
3527A2	50,000g

- 3 ARROW INDICATES ACCELERATION DIRECTION FOR POSITIVE OUTPUT.
- WEIGHT 2.0 GRAMS MAX.
 - HOUSING MATERIAL: TITANIUM

MOUNTING RECOMMENDATION:
 PREPARE A MOUNTING AREA ϕ .30 [7.6] MIN, FLAT TO .001 TIR.
 TAP 10-32 UNF-2B ∇ .20 [5.0] MIN.
 MOUNTING TORQUE: 10-12 Lb-in.

NOTES: UNLESS OTHERWISE SPECIFIED

USED ON	NEXT ASSY	APPLICATION	THIRD ANGLE PROJECTION USA

UNLESS OTHERWISE SPECIFIED:
 INTERPRET DIM & TOL PER ASME Y14.5M - 1994.
 REMOVE BURRS.
 COUNTERSINK INTERNAL THDS 90° TO MAJOR DIA.
 CHAM EXT THDS 45° TO MINOR DIA.
 THD LENGTHS AND DEPTHS ARE FOR MIN FULL THDS.
 THDS PER MIL-S-7742.
 DIMENSIONS APPLY AFTER FINISHING.

63
 ALL MACHINED SURFACES. TOTAL RUNOUT WITHIN .005.
 BREAK SHARP EDGES .005 TO .010.
 MACHINED FILLET RADII .005 TO .015.
 WELDING SYMBOLS PER AWS A2.4.
 ABBREVIATIONS PER MIL-STD-12.

UNLESS OTHERWISE SPECIFIED:
 DIMENSIONS ARE IN INCHES. DIMENSIONS IN BRACKETS [] ARE IN MILLIMETERS
 TOLERANCES ARE:
 INCHES METRIC ANGLES
 .XX ± .03 .X ± 0.8 ± 1°
 .XXX ± .010 .XX ± 0.25

MATERIAL

FINISH

DO NOT SCALE DRAWING

CONTRACT NO.		
APPROVALS		DATE
ORIG	DV	08/17/15
CHK	<i>[Signature]</i>	12/9/16
APP	AS	12/16/16
APP		

MASTER
DYTRAN INSTRUMENTS, INC.
 ONLY IF IN RED
 Chatsworth, CA

TITLE:
OUTLINE/INSTALLATION DRAWING, MODEL 3527A1

SIZE	CAGE CODE	DWG. NO.	REV
A	2W033	127-3527A1	A

SCALE: NONE SOLIDWORKS SHEET 1 OF 1

