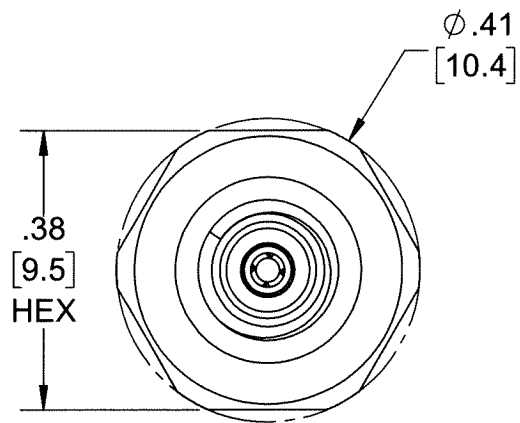


PROPRIETARY AND CONFIDENTIAL

THE INFORMATION CONTAINED IN THIS DRAWING IS THE SOLE PROPERTY OF DYTRAN INSTRUMENTS INC. ANY REPRODUCTION IN PART OR AS A WHOLE WITHOUT THE WRITTEN PERMISSION OF DYTRAN INSTRUMENTS INC. IS PROHIBITED

MODEL NO.	SENSITIVITY
3525A4	10 mV/g

REVISIONS					
REV.	ECN	DESCRIPTION	BY/DATE	CHK	APPR
A	15127	INITIAL RELEASE	DA, 06/11/19	EP	W

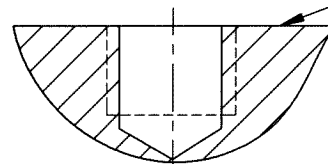


10-32 COAXIAL CONNECTOR

2X  $\phi$ .031 [0.79] LOCKWIRE HOLES

10-32 UNF-2A

$\phi$ .35 [8.8]



MOUNTING RECOMMENDATIONS: PREPARE MOUNTING SURFACE FLAT TO .001 TIR. TAP 10-32 UNF-2B  $\nabla$ .20 MIN., RECOMMENDED MOUNTING TORQUE 15LB-IN +5/-0 LB-IN. FOR BEST FREQUENCY RESPONSE, MOUNTING SURFACE MUST CONTACT ENTIRE ACCELEROMETER MOUNTING SURFACE.

2. MATERIAL: STAINLESS STEEL

1. WEIGHT: 7.0 GRAMS MAX.

NOTES: UNLESS OTHERWISE SPECIFIED

UNLESS OTHERWISE SPECIFIED: INTERPRET DIM & TOL PER ASME Y14.5M - 1994. REMOVE BURRS. COUNTERSINK INTERNAL THDS 90° TO MAJOR DIA. CHAM EXT THDS 45° TO MINOR DIA. THD LENGTHS AND DEPTHS ARE FOR MIN FULL THDS. DIMENSIONS APPLY AFTER FINISHING.

ALL MACHINED SURFACES  $\checkmark$  63/ TOTAL RUNOUT WITHIN .005. BREAK SHARP EDGES .005 TO .010. MACHINED FILLET RADII .005 TO .015. WELDING SYMBOLS PER AWS A2.4. ABBREVIATIONS PER MIL-STD-12.

UNLESS OTHERWISE SPECIFIED: DIMENSIONS ARE IN INCHES. DIMENSIONS IN BRACKETS [ ] ARE IN MILLIMETERS TOLERANCES ARE: DECIMALS METRIC ANGLES .XX  $\pm$ .03 X  $\pm$  0.8 .XXX  $\pm$ .010 .XX  $\pm$ 0.25  $\pm$ 1°

APPROVALS		DATE
ORIG	DA	05/28/19
CHK	EP	05/29/19
APP	DP	06/03/19
DO NOT SCALE DRAWING		THIRD ANGLE PROJECTION USA



TITLE: OUTLINE/INSTALLATION DRAWING, MODEL 3525A4			
SIZE B	CAGE CODE 2W033	DWG NO 127-3525A4	REV A
SCALE: 4:1		SHEET 1 OF 1	

Model Number 3525A4	<b>PERFORMANCE SPECIFICATION</b>	DOC NO PS3525A4
<b>MINIATURE IEPE ACCELEROMETER</b>		REV A, ECN, 15127 06/11/19



- HIGH OPERATING TEMPERATURE
- MINIATURE SIZE
- HERMETICALLY SEALED
- EXCELLENT LINEARITY

**PHYSICAL**

Weight  
Connector  
Mounting Provision  
Material  
Sensing Element

Top Mounted  
Integral Stud  
Housing and Connector  
Material  
Mode

ENGLISH		SI	
0.24	oz	6.8	grams
10-32 Micro Coax		10-32 Micro Coax	
10-32 (UNF-2A)		10-32 (UNF-2A)	
300 Series SS		300 Series SS	
Quartz		Quartz	
Compression		Compression	

**PERFORMANCE**

Sensitivity, ±15% [1]  
Range F.S for ± 5 Volts Output  
Frequency Response, ±5%  
Resonant Frequency, Nom  
Equivalent Electrical Noise Floor  
Linearity [2]  
Maximum Transverse Sensitivity  
Strain Sensitivity @ 250µε

10	mV/g	1	mV/m/s <sup>2</sup>
±500	g	±4905	m/s <sup>2</sup>
2 to 10000	Hz	2 to 10000	Hz
> 30	kHz	> 30	kHz
0.007	Grms	0.07	m/s <sup>2</sup> rms
± 1%	% F.S.	± 1%	% F.S.
5	%	5	%
0.003	g/µε	0.03	m/s <sup>2</sup> /µε

**ENVIRONMENTAL**

Maximum Vibration  
Maximum Shock  
Temperature Range  
Seal, Hermetic

±1000	Gpeak	±9810	m/s <sup>2</sup> peak
±3000	Gpeak	±29430	m/s <sup>2</sup> peak
-148 to +392	*F	-100 to 200	*C
Welded/Glass To Metal		Welded/Glass To Metal	

**ELECTRICAL**

Supply Current Range [3]  
Compliance Voltage Range  
Output Impedence, Typ  
Bias Voltage  
Discharge Time Constant

2 to 20	mA	2 to 20	mA
+18 to +30	Volts	+18 to +30	Volts
100	Ω	100	Ω
+7.5 to +11.5	VDC	+7.5 to +11.5	VDC
0.5 to 0.7	Sec	0.5 to 0.7	Sec

**This family also includes:**

Model	Sensitivity (mV/g)	Frequency Response (Hz)	Time Constant (Sec)	Operating Temp (*F)

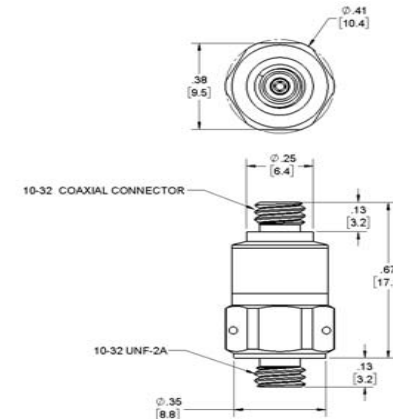
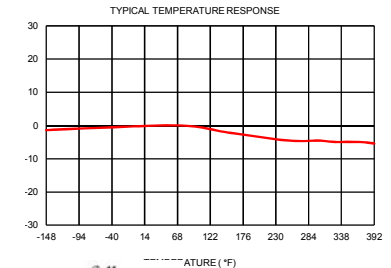
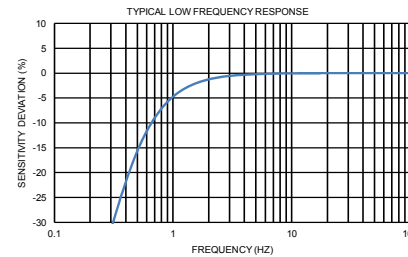
Please refer to the performance specifications of the products in this family for detailed description

**Supplied Accessories:**

- 1) Accredited calibration certificate (ISO 17025)

**Notes:**

- [1] Measure at 100Hz, 1 Grms per ISA RP 37.2
  - [2] Measure using zero-based straight line method, % of F.S. or any lesser range.
  - [3] Do not apply power to this system without current limiting, 20 mA MAX. To do so will destroy the IC charge amplifier.
  - [4] In the interest of constant product improvement, we reserve the right to change specifications without notice.
- It is the customer's responsibility to validate that a particular product with the properties described in the product specification is suitable for use in a particular application. Parameters provided in datasheets and / or specifications may vary in different applications and performance may vary overtime. All operating parameters, including typical parameters, must be validated for each customer application by the customer's technical experts.



21592 Marilla Street, Chatsworth, California 91311 Phone: 818.700.7818 Fax: 818.700.7880 www.dytran.com  
For permission to reprint this content, please contact info@dytran.com