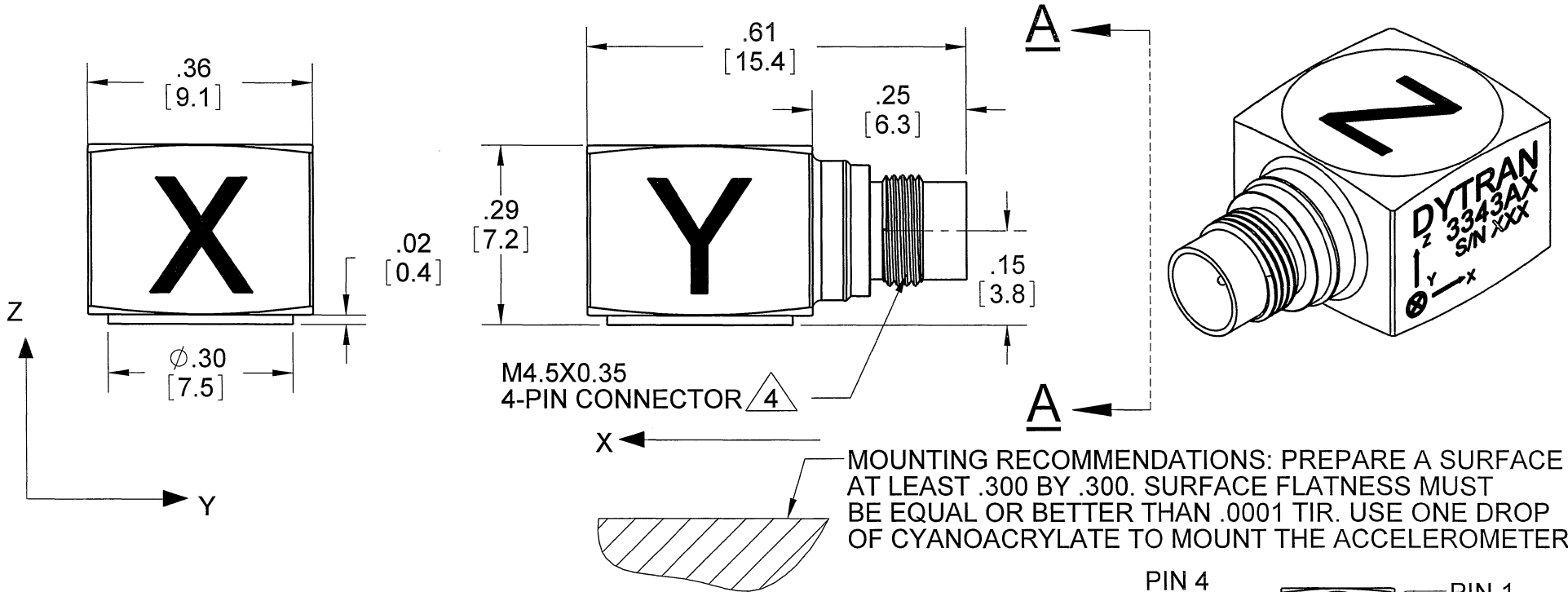


**PROPRIETARY AND CONFIDENTIAL**

THE INFORMATION CONTAINED IN THIS DRAWING IS THE SOLE PROPERTY OF DYTRAN INSTRUMENTS INC. ANY REPRODUCTION IN PART OR AS A WHOLE WITHOUT THE WRITTEN PERMISSION OF DYTRAN INSTRUMENTS INC. IS PROHIBITED

**REVISIONS**

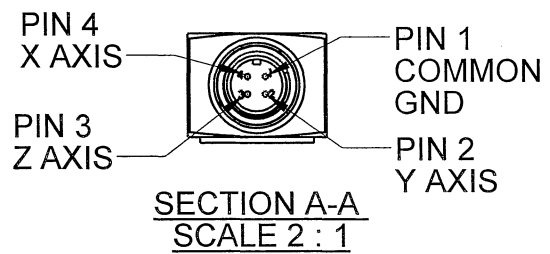
REV	ECN	DESCRIPTION	BY/DATE	CHK	APPR
B	7103	INITIAL RELEASE OF 3343A2, A3	RA 09/24/10	<i>[Signature]</i>	<i>[Signature]</i>



**MOUNTING RECOMMENDATIONS: PREPARE A SURFACE AT LEAST .300 BY .300. SURFACE FLATNESS MUST BE EQUAL OR BETTER THAN .0001 TIR. USE ONE DROP OF CYANOACRYLATE TO MOUNT THE ACCELEROMETER.**

- 4. MATES WITH 6893AXX (XX=LENGTH IN FEET)
  - 3. HOUSING/CONNECTOR MATERIAL: TITANIUM
  - 2. ARROWS INDICATE DIRECTION OF ACCELERATION FOR POSITIVE OUTPUT
  - 1. WEIGHT: 2.4 GRAMS APPROX.
- NOTES: UNLESS OTHERWISE SPECIFIED.

MODEL	SENSITIVITY
3343A	10mV/G
3343A2	2mV/G
3343A3	5mV/G



UNLESS OTHERWISE SPECIFIED:  
 INTERPRET DIM & TOL PER ASME Y14.5M - 1994.  
 REMOVE BURRS.  
 COUNTERSINK INTERNAL THDS 90° TO MAJOR DIA.  
 CHAM EXT THDS 45° TO MINOR DIA.  
 THD LENGTHS AND DEPTHS ARE FOR MIN FULL THDS.  
 THDS PER MIL-S-7742.  
 DIMENSIONS APPLY AFTER FINISHING.

UNLESS OTHERWISE SPECIFIED:  
 DIMENSIONS ARE IN INCHES. DIMENSIONS IN BRACKETS [ ] ARE IN MILLIMETERS  
 TOLERANCES ARE:  
 INCHES METRIC ANGLES  
 .XX ± .03 X ± 0.8 ± 1°  
 .XXX ± .010 .XX ± 0.25

ALL MACHINED SURFACES. TOTAL RUNOUT WITHIN .005. BREAK SHARP EDGES .005 TO .010. MACHINED FILLET RADII .005 TO .015. WELDING SYMBOLS PER AWS A2.4. ABBREVIATIONS PER MIL-STD-12.

APPROVALS

ORIG	RA	09/30/09
CHK	EP	10/0/09
APP	SA	10/02/09
APP		

DO NOT SCALE DRAWING

CONTRACT NO.

**DYTRAN INSTRUMENTS, INC.** Chatsworth, CA

**MASTER ONLY IF IN RED**

TITLE: **OUTLINE/INSTALLATION DRAWING, 3343AX**

SIZE	CAGE CODE	DWG. NO.	REV
<b>A</b>	<b>2W033</b>	<b>127-3343A</b>	<b>B</b>

SCALE: NONE SOLIDWORKS SHEET 1 OF 1



- HERMETICALLY SEALED
- MINIATURE SIZE

**PHYSICAL**

Weight  
Mounting  
Connector [1]  
Material, Housing / Connector

	ENGLISH		SI		
Weight	0.084	oz	2.4	grams	
Mounting	Adhesive		Adhesive		
Connector [1]	4-pin		4-pin		
Material, Housing / Connector	Titanium		Titanium		

**PERFORMANCE**

Sensitivity, -10 + 15% [2]  
Range F.S. (each axis)  
Frequency Response, ±5%  
Element Natural Frequency  
Equivalent Electrical Noise  
Linearity [3]  
Transverse Sensitivity Max  
Signal Polarity

	ENGLISH		SI		
Sensitivity, -10 + 15% [2]	5	mV/g	0.51	mV/m/s <sup>2</sup>	
Range F.S. (each axis)	±1000	g	±9810	m/s <sup>2</sup>	
Frequency Response, ±5%	1.2 to 5000	Hz	1.2 to 5000	Hz	
Element Natural Frequency	30	kHz	30	kHz	
Equivalent Electrical Noise	0.015	grms	0.147	m/s <sup>2</sup> rms	
Linearity [3]	1	%F.S.	1	%F.S.	
Transverse Sensitivity Max	6	%	6	%	
Signal Polarity	[6]		[6]		

**ELECTRICAL**

Supply Current Range [4]  
Compliance Voltage Range  
Output Impedance, Typ.  
Output Bias Voltage  
Discharge Time Constant  
Ground Isolation

	ENGLISH		SI		
Supply Current Range [4]	2 to 20	mA	2 to 20	mA	
Compliance Voltage Range	+18 to +30	VDC	+18 to +30	VDC	
Output Impedance, Typ.	100	Ω	100	Ω	
Output Bias Voltage	7.0 to 9.0	VDC	7.0 to 9.0	VDC	
Discharge Time Constant	0.3 to 1.0	sec	0.3 to 1.0	sec	
Ground Isolation	Case Ground		Case Ground		

**ENVIRONMENTAL**

Maximum Shock  
Maximum Vibration  
Temperature Range  
Environmental Seal

	ENGLISH		SI		
Maximum Shock	5000	g pk	49050	m/s <sup>2</sup>	
Maximum Vibration	1200	g pk	11768	m/s <sup>2</sup>	
Temperature Range	-60 to +250	°F	-51 to +121	°C	
Environmental Seal	Hermetic		Hermetic		

**This family also includes:**

Model	Sensitivity (mV/g)	Range (Gpeak)	Resolution (grms)	Oper. Temp(°F)	TC(sec.)
3343A	10	500	0.007	-60 to +250	0.3 to 1.0
3343A2	2	2500	0.003	-60 to +250	0.3 to 1.0

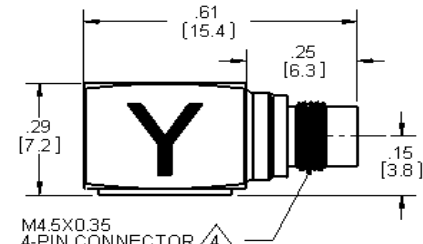
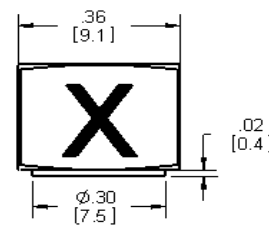
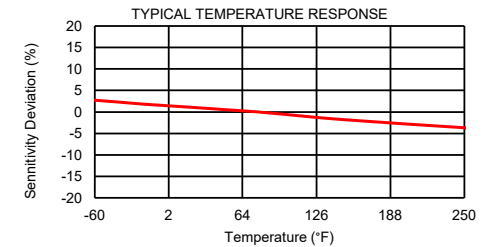
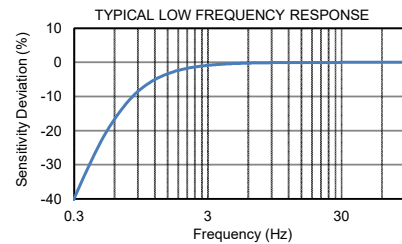
Please, refer to the performance specifications of the products in this family for detailed description

**Supplied Accessories:**

- 1) Accredited Calibration Certificate (ISO 17025)

**Notes:**

- [1] Connector mates with Dytran cable assy. Model 6893AXX. (xx = length in feet)
- [2] Measured At 100 Hz, 1 Grms per ISA RP 37.2
- [3] Measured using zero-based best straight-line method, % of F.S. or any lesser range.
- [4] Do not apply power to this device without current limiting, 20mA Max, to do so will destroy the integral IC amplifier
- [5] In the interest of constant product improvement, we reserve the rights to change the specifications without notice. It is the customer's responsibility to validate that a particular product with the properties described in the product specification is suitable for use in a particular application. Parameters provided in datasheets and / or specifications may vary in different applications and performance may vary overtime. All operating parameters, including typical parameters, must be validated for each customer application by the customer's technical experts.
- [6] Positive for motion in direction of arrows on housing.



Units on the line drawing are in inches, units in brackets are in millimeters. Refer to 127-3343A for more information.

