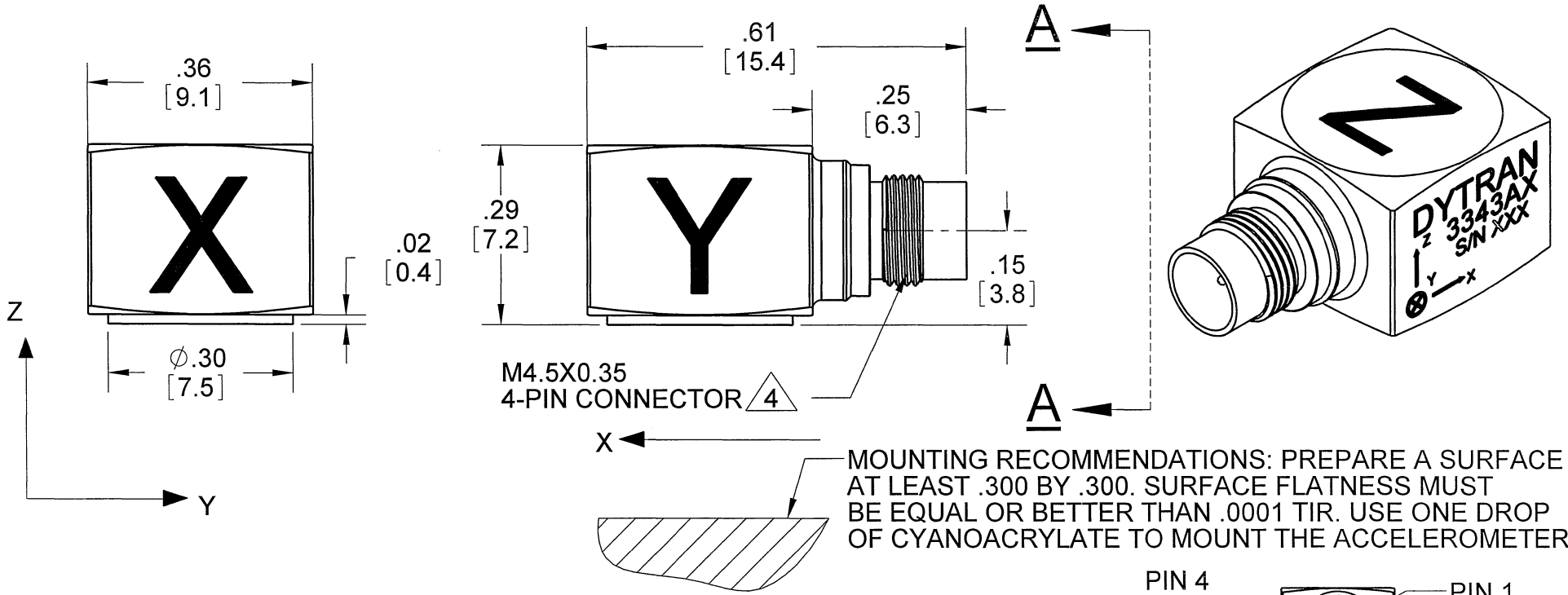


PROPRIETARY AND CONFIDENTIAL

THE INFORMATION CONTAINED IN THIS DRAWING IS THE SOLE PROPERTY OF DYTRAN INSTRUMENTS INC. ANY REPRODUCTION IN PART OR AS A WHOLE WITHOUT THE WRITTEN PERMISSION OF DYTRAN INSTRUMENTS INC. IS PROHIBITED

REVISIONS

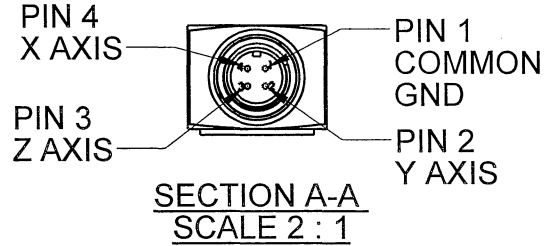
REV	ECN	DESCRIPTION	BY/DATE	CHK	APPR
B	7103	INITIAL RELEASE OF 3343A2, A3	RA 09/24/10	<i>[Signature]</i>	<i>[Signature]</i>



MOUNTING RECOMMENDATIONS: PREPARE A SURFACE AT LEAST .300 BY .300. SURFACE FLATNESS MUST BE EQUAL OR BETTER THAN .0001 TIR. USE ONE DROP OF CYANOACRYLATE TO MOUNT THE ACCELEROMETER.

- 4. MATES WITH 6893AXX (XX=LENGTH IN FEET)
 - 3. HOUSING/CONNECTOR MATERIAL: TITANIUM
 - 2. ARROWS INDICATE DIRECTION OF ACCELERATION FOR POSITIVE OUTPUT
 - 1. WEIGHT: 2.4 GRAMS APPROX.
- NOTES: UNLESS OTHERWISE SPECIFIED.

MODEL	SENSITIVITY
3343A	10mV/G
3343A2	2mV/G
3343A3	5mV/G



UNLESS OTHERWISE SPECIFIED:
 INTERPRET DIM & TOL PER ASME Y14.5M - 1994.
 REMOVE BURRS.
 COUNTERSINK INTERNAL THDS 90° TO MAJOR DIA.
 CHAM EXT THDS 45° TO MINOR DIA.
 THD LENGTHS AND DEPTHS ARE FOR MIN FULL THDS.
 THDS PER MIL-S-7742.
 DIMENSIONS APPLY AFTER FINISHING.

UNLESS OTHERWISE SPECIFIED:
 DIMENSIONS ARE IN INCHES. DIMENSIONS IN BRACKETS [] ARE IN MILLIMETERS
 TOLERANCES ARE:
 INCHES METRIC ANGLES
 .XX ± .03 X ± 0.8 ± 1°
 .XXX ± .010 .XX ± 0.25

ALL MACHINED SURFACES. TOTAL RUNOUT WITHIN .005. BREAK SHARP EDGES .005 TO .010. MACHINED FILLET RADII .005 TO .015. WELDING SYMBOLS PER AWS A2.4. ABBREVIATIONS PER MIL-STD-12.

THIRD ANGLE PROJECTION USA

CONTRACT NO.

APPROVALS

ORIG	RA	09/30/09
CHK	EP	10/0/09
APP	SA	10/02/09
APP		

DATE

MATERIAL

FINISH

DO NOT SCALE DRAWING

DYTRAN INSTRUMENTS, INC. Chatsworth, CA

MASTER ONLY IF IN RED

TITLE: **OUTLINE/INSTALLATION DRAWING, 3343AX**

SIZE	CAGE CODE	DWG. NO.	REV
A	2W033	127-3343A	B

SCALE: NONE SOLIDWORKS SHEET 1 OF 1

MODEL NUMBER 3343A2	PERFORMANCE SPECIFICATION	DOC NO. PS3343A2
	ACCELEROMETER, TRIAXIAL, IEPE	REV E, ECN 15530, 01/14/20



- HERMETICALLY SEALED
- MINIATURE SIZE

PHYSICAL

Weight
Mounting
Connector [1]
Material, Housing / Connector

ENGLISH		SI	
0.084	oz	2.4	grams
Adhesive		Adhesive	
4-pin		4-pin	
Titanium		Titanium	

PERFORMANCE

Sensitivity, -10 + 15% [2]
Range F.S. (each axis)
Frequency Response, ±5%
Element Natural Frequency
Equivalent Electrical Noise
Linearity [3]
Transverse Sensitivity Max
Signal Polarity

ENGLISH		SI	
2	mV/g	0.20	mV/m/s ²
±2500	g	±24525	m/s ²
1.2 to 5000	Hz	1.2 to 5000	Hz
30	kHz	30	kHz
0.003	grms	0.029	m/s ² rms
1	%F.S.	1	%F.S.
6	%	6	%
[6]		[6]	

ELECTRICAL

Supply Current Range [4]
Compliance Voltage Range
Output Impedance, Typ.
Output Bias Voltage
Discharge Time Constant
Ground Isolation

ENGLISH		SI	
2 to 20	mA	2 to 20	mA
+18 to +30	VDC	+18 to +30	VDC
100	Ω	100	Ω
7.0 to 9.0	VDC	7.0 to 9.0	VDC
0.3 to 1.0	sec	0.3 to 1.0	sec
Case Ground		Case Ground	

ENVIRONMENTAL

Maximum Shock
Maximum Vibration
Temperature Range
Environmental Seal

ENGLISH		SI	
5000	g pk	49050	m/s ²
3000	g pk	24420	m/s ²
-60 to +250	°F	-51 to +121	°C
Hermetic		Hermetic	

This family also includes:

Model	Sensitivity (mV/g)	Range (Gpeak)	Resolution (grms)	Oper. Temp(°F)	TC(sec.)
3343A	10	500	0.007	-60 to +250	0.3 to 1.0
3343A3	5	1000	0.015	-60 to +250	0.3 to 1.0

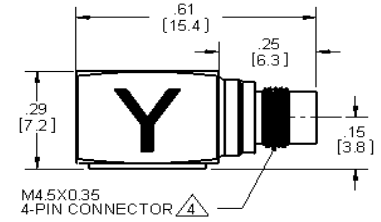
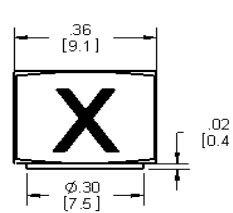
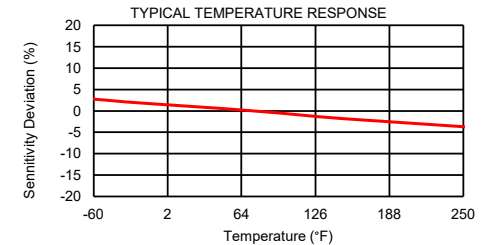
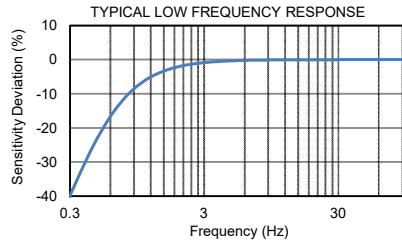
Please, refer to the performance specifications of the products in this family for detailed description

Supplied Accessories:

- 1) Accredited Calibration Certificate (ISO 17025)

Notes:

- [1] Connector mates with Dytran cable assy. Model 6893AXX. (xx = length in feet)
- [2] Measured At 100 Hz, 1 Grms per ISA RP 37.2
- [3] Measured using zero-based best straight-line method, % of F.S. or any lesser range.
- [4] Do not apply power to this device without current limiting, 20mA Max, to do so will destroy the integral IC amplifier
- [5] In the interest of constant product improvement, we reserve the rights to change the specifications without notice. It is the customer's responsibility to validate that a particular product with the properties described in the product specification is suitable for use in a particular application. Parameters provided in datasheets and / or specifications may vary in different applications and performance may vary overtime. All operating parameters, including typical parameters, must be validated for each customer application by the customer's technical experts.
- [6] Positive for motion in direction of arrows on housing.



Units on the line drawing are in inches, units in brackets are in millimeters. Refer to 127-3343A for more information.



21592 Marilla Street, Chatsworth, California 91311 Phone: 818.700.7818 Fax:818.700.7880 www.dytran.com
For permission to reprint this content, please contact info@dytran.com