

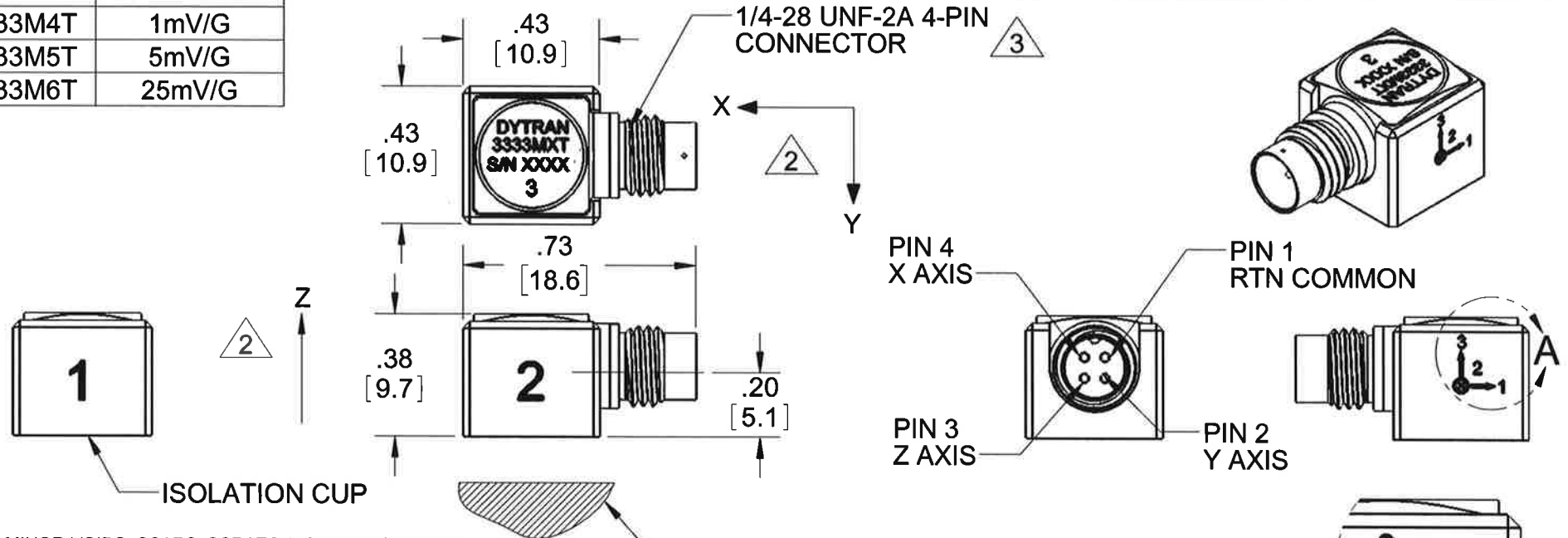
PROPRIETARY AND CONFIDENTIAL

THE INFORMATION CONTAINED IN THIS DRAWING IS THE SOLE PROPERTY OF DYTRAN INSTRUMENTS INC. ANY REPRODUCTION IN PART OR AS A WHOLE WITHOUT THE WRITTEN PERMISSION OF DYTRAN INSTRUMENTS INC. IS PROHIBITED

REVISIONS

| REV | ECN | DESCRIPTION | BY/DATE | CHK | APPR |
|-----|-------|--------------|-------------|-----|------|
| B | 12604 | ADDED NOTE 5 | JS 04/05/16 | LA | LW |

| MODEL | SENSITIVITY |
|---------|-------------|
| 3333M4T | 1mV/G |
| 3333M5T | 5mV/G |
| 3333M6T | 25mV/G |



MOUNTING RECOMMENDATIONS
 PREPARE A SURFACE AT LEAST .50 BY .50. SURFACE FLATNESS MUST BE EQUAL OR BETTER THAN .001 TIR. USE ONE DROP OF CYANOACRYLATE TO MOUNT THE ACCELEROMETER.

DETAIL A
SCALE 4 : 1

- 5. MINOR VOIDS, SCARS, SCRATCHES AND MOUNTING BLEMISH/WITNESS MARKS ON EXTERIOR SURFACES ARE ALLOWED DUE TO RESTRAINING AND HANDLING DURING TESTING, TRANSPORT OR PROCESSING. THESE APPEAR AS INDICATORS THAT DO NOT AFFECT FORM, FIT OR FUNCTION AS INTENDED BY DESIGN OR APPLICATION
- 4. HOUSING/CONNECTOR MATERIAL: TITANIUM ISOLATION CUP: ALUMINUM ALLOY 6061-T6, BLACK ANODIZED

- 3 MATES WITH DYTRAN 6811AXX CABLE
- 2 ARROWS INDICATE DIRECTIONS OF ACCELERATION FOR POSITIVE OUTPUT
- 1. WEIGHT: 4.0 GRAMS MAX

NOTES: UNLESS OTHERWISE SPECIFIED

| | | | |
|----------------------------|-----------|---|--|
| USED ON | NEXT ASSY | UNLESS OTHERWISE SPECIFIED: INTERPRET DIM & TOL PER ASME Y14.5M - 1994. REMOVE BURRS. COUNTERSINK INTERNAL THDS 90° TO MAJOR DIA. CHAM EXT THDS 45° TO MINOR DIA. THD LENGTHS AND DEPTHS ARE FOR MIN FULL THDS. THDS PER MIL-S-7742. DIMENSIONS APPLY AFTER FINISHING. | UNLESS OTHERWISE SPECIFIED: DIMENSIONS ARE IN INCHES. DIMENSIONS IN BRACKETS [] ARE IN MILLIMETERS TOLERANCES ARE: INCHES METRIC ANGLES .XX ± .03 .X ± 0.8 ± 1° .XXX ± .010 .XX ± 0.25 |
| APPLICATION | | MATERIAL | APPROVALS |
| THIRD ANGLE PROJECTION USA | | FINISH | DATE |
| | | DO NOT SCALE DRAWING | ORIG JS 09/18/13 CHK AB 10/15/13 APP DV 10/25/13 APP |

| | |
|--------------|----------|
| CONTRACT NO. | |
| APPROVALS | DATE |
| ORIG JS | 09/18/13 |
| CHK AB | 10/15/13 |
| APP DV | 10/25/13 |
| APP | |

TITLE: **OUTLINE/INSTALLATION DRAWING, 3333M4T**

| | | | |
|----------|--------------|--------------------|----------|
| SIZE | CAGE CODE | DWG. NO. | REV |
| A | 2W033 | 127-3333M4T | B |

SCALE: 2:1 SOLIDWORKS SHEET 1 OF 1

| | | |
|--------------------------------|--------------------------------------|----------------------------|
| MODEL NUMBER 3333M6T | PERFORMANCE SPECIFICATION | DOC NO PS3333M6T |
| | Accelerometer, Triaxial, IEPE | REV C, ECN 12879, 08/12/16 |



- **ULTRA LOW FREQUENCY RESPONSE**
- **ULTRA LOW NOISE LEVEL**
- **CASE ISOLATED**
- **HERMETICALLY SEALED**

PHYSICAL

Weight, Max
Mounting
Connector [1]
Type
Material
Housing
Material
Isolation Cup
Material
Sensing Element
Material
Mode

| ENGLISH | | SI | |
|-------------------|----|-------------------|-------|
| 0.14 | oz | 4.0 | grams |
| Adhesive | | Adhesive | |
| 4-pin | | 4-pin | |
| Ti-6 AL-4V | | Ti-6 AL-4V | |
| Ti-6 AL-4V | | Ti-6 AL-4V | |
| Anodized Aluminum | | Anodized Aluminum | |
| Ceramic | | Ceramic | |
| Shear | | Shear | |

PERFORMANCE

| | | | | |
|----------------------------|------------|-------|------------|-------------------------------|
| Sensitivity, +15-10% [2] | 25 | mV/g | 2.55 | mV/m/s ² |
| Acceleration Range | +/- 200 | Gpeak | +/- 1962 | m/s ² peak |
| Frequency Range, +15/-10% | .65-10,000 | Hz | .65-10,000 | Hz |
| Resonance Frequency | >24 | kHz | >24 | kHz |
| Linearity [3] | 1 | %F.S. | 1 | %F.S. |
| Transverse Sensitivity Max | 6 | % | 6 | % |
| Noise floor | 0.0024 | Grms | 0.024 | m/s ² rms |
| Spectral Noise | 1Hz | 419 | 4110 | µm/s ² rms/sqr(Hz) |
| | 10Hz | 73 | 716 | µm/s ² rms/sqr(Hz) |
| | 100Hz | 45 | 441 | µm/s ² rms/sqr(Hz) |
| | 1000Hz | 21 | 206 | µm/s ² rms/sqr(Hz) |
| | 10000Hz | 11 | 108 | µm/s ² rms/sqr(Hz) |

ENVIRONMENTAL

| | | | | |
|----------------------------|-------------|------|-------------|----------------------|
| Shock Max | 5000 | g pk | 49050 | m/s ² |
| Vibration Max | 3000 | g pk | 29430 | m/s ² |
| Operating Temperature | -60 to +225 | °F | -51 to +107 | °C |
| TEDs Operating Temperature | -40 to +185 | °F | -40 to +85 | °C |
| Base Strain Sensitivity | 0.02 | g/µε | 0.20 | m/s ² /µε |
| Seal | Hermetic | | Hermetic | |

ELECTRICAL

| | | | | |
|--------------------------|-------------|-----|-------------|-----|
| Supply Current Range [4] | 2 to 20 | mA | 2 to 20 | mA |
| Compliance Voltage Range | +18 to +30 | VDC | +18 to +30 | VDC |
| Output Impedance, Typ. | 100 | Ω | 100 | Ω |
| Output Bias Voltage | 11 to 13 | VDC | 11 to 13 | VDC |
| Discharge Time Constant | 0.5 - 1.5 | sec | 0.5 - 1.5 | sec |
| Case Isolation | 10 | GΩ | 10 | GΩ |
| TEDS Feature | IEEE 1451.4 | | IEEE 1451.4 | |

This family also includes:

| Model | Sensitivity (mV/g) | Range (Gpeak) | Resolution (Grms) | Oper. Temp(°F) | Time Constant (sec) |
|---------|--------------------|---------------|-------------------|----------------|---------------------|
| 3333M4T | 1 | 5000 | 0.03 | -60 to +250 | 0.5 - 1.5 |
| 3333M5T | 5 | 1000 | 0.0072 | -60 to +225 | 0.5 - 1.5 |

Refer to the performance specifications of the products in this family for detailed description

Supplied Accessories:

1) Accredited calibration certificate (ISO 17025)

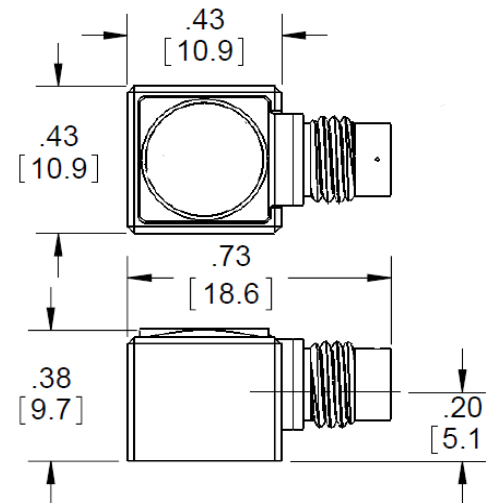
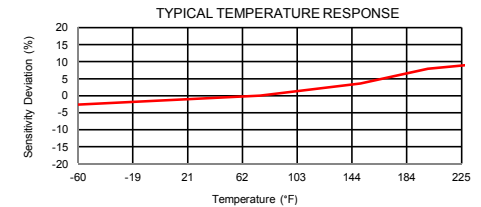
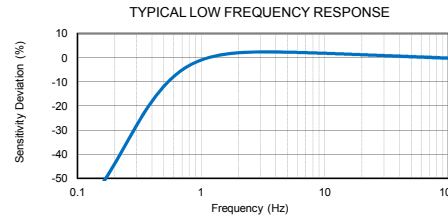
Notes:

[1] 1/4-28 UNF-2A Connector. Mates with Dytran cable Model 6811AXX.

[2] Measured at 100Hz, 5 Grms per ISA RP 37.2.

[3] Measure using zero-based straight line method, % of F.S. or any lesser range.

[4] Do not apply power to this system without current limiting, 20 mA MAX. To do so will destroy the IC charge amplifier.



Units on the line drawing are in inches, units in brackets are in millimeters. Refer to 127-3333M4T for more information.



21592 Marilla Street, Chatsworth, California 91311 Phone: 818.700.7818 Fax:818.700.7880
www.dytran.com For permission to reprint this content, please contact info@dytran.com