

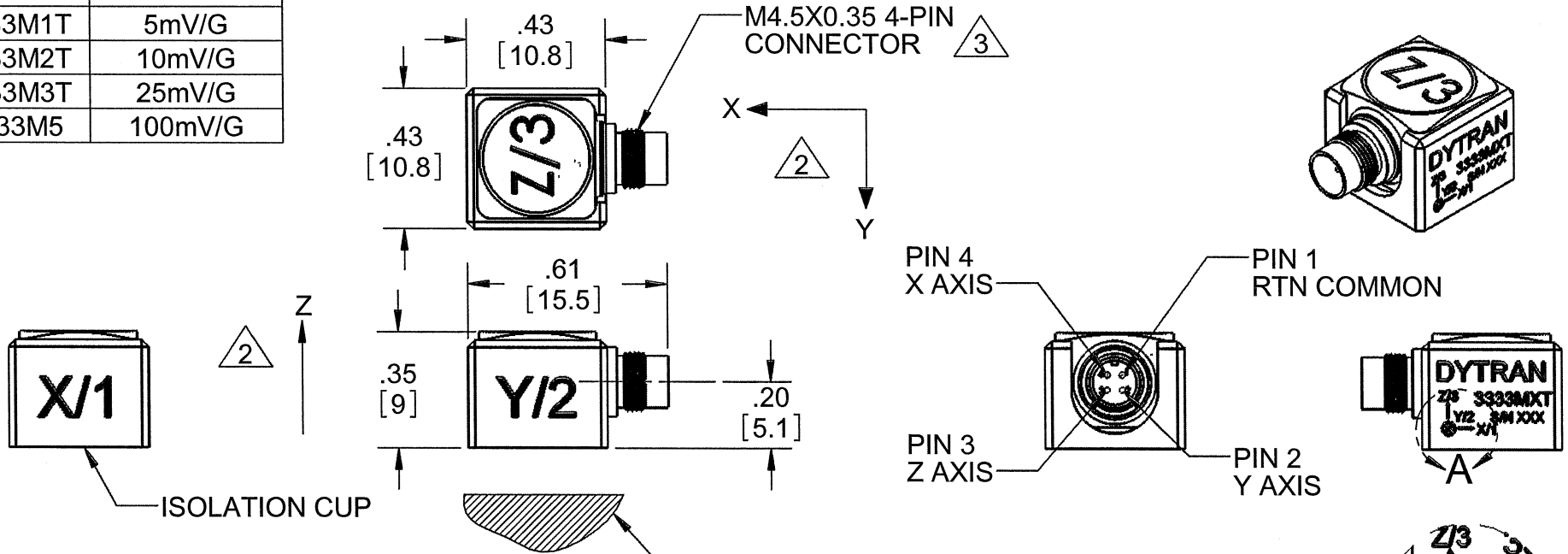
**PROPRIETARY AND CONFIDENTIAL**

THE INFORMATION CONTAINED IN THIS DRAWING IS THE SOLE PROPERTY OF DYTRAN INSTRUMENTS INC. ANY REPRODUCTION IN PART OR AS A WHOLE WITHOUT THE WRITTEN PERMISSION OF DYTRAN INSTRUMENTS INC. IS PROHIBITED

**REVISIONS**

REV	ECN	DESCRIPTION	BY/DATE	CHK	APPR
C	9198	INITIAL RELEASE OF 3333M5	AB 09/25/12	41	A5

MODEL	SENSITIVITY
3333M1T	5mV/G
3333M2T	10mV/G
3333M3T	25mV/G
3333M5	100mV/G



4. HOUSING/CONNECTOR MATERIAL: TITANIUM  
ISOLATION CUP: ALUMINUM ALLOY 6061-T6, BLACK ANODIZED

3 MATES WITH 6893AXX CABLE

2 ARROWS INDICATE DIRECTIONS OF ACCELERATION FOR POSITIVE OUTPUT

1. WEIGHT: 2.8 GRAMS

NOTES: UNLESS OTHERWISE SPECIFIED

**MOUNTING RECOMMENDATIONS**

PREPARE A SURFACE AT LEAST .50 BY .50. SURFACE FLATNESS MUST BE EQUAL OR BETTER THAN .001 TIR. USE ONE DROP OF CYANOACRYLATE TO MOUNT THE ACCELEROMETER.

**DETAIL A**  
**SCALE 4 : 1**

USED ON	NEXT ASSY
APPLICATION	
THIRD ANGLE PROJECTION USA	
<p>UNLESS OTHERWISE SPECIFIED: INTERPRET DIM &amp; TOL PER ASME Y14.5M - 1994. REMOVE BURRS. COUNTERSINK INTERNAL THDS 90° TO MAJOR DIA. CHAM EXT THDS 45° TO MINOR DIA. THD LENGTHS AND DEPTHS ARE FOR MIN FULL THDS. THDS PER MIL-S-7742. DIMENSIONS APPLY AFTER FINISHING.</p> <p>ALL MACHINED SURFACES. TOTAL RUNOUT WITHIN .005. BREAK SHARP EDGES .005 TO .010. MACHINED FILLET RADII .005 TO .015. WELDING SYMBOLS PER AWS A2.4. ABBREVIATIONS PER MIL-STD-12.</p>	

UNLESS OTHERWISE SPECIFIED: DIMENSIONS ARE IN INCHES. DIMENSIONS IN BRACKETS [ ] ARE IN MILLIMETERS TOLERANCES ARE: INCHES    METRIC    ANGLES .XX ± .03    .X ± 0.8    ± 1° .XXX ± .010    .XX ± 0.25	
MATERIAL	
FINISH	
DO NOT SCALE DRAWING	

CONTRACT NO.	
APPROVALS	
ORIG	RA
CHK	JS
APP	DV
APP	
DATE	
03/30/11	
06/01/11	
06/16/11	

**DYTRAN INSTRUMENTS, INC.** MASTER ONLY IF IN RED  
Chatsworth, CA

TITLE: **OUTLINE/INSTALLATION DRAWING, 3333MT SERIES**

SIZE	CAGE CODE	DWG. NO.	REV
<b>A</b>	<b>2W033</b>	<b>127-3333MT</b>	<b>C</b>
SCALE: 2:1	SOLIDWORKS	SHEET 1 OF 1	

<b>MODEL NUMBER</b> 3333M3T	<b>PERFORMANCE SPECIFICATION</b>	<b>DOC NO</b> PS3333M3T
	<b>Accelerometer, Triaxial, IEPE</b>	REV D, ECN 13537, 07/05/2017



- **ULTRA LOW FREQUENCY RESPONSE**
- **ULTRA LOW NOISE LEVEL**
- **CASE ISOLATED**
- **TEDS FEATURE**

**PHYSICAL**

Weight, Max	0.14	oz
Mounting	Adhesive	
Connector [1]	4-pin	Type
	Ti-6 AL-4V	Material
Housing	Ti-6 AL-4V	Material
Isolation Cup	Anodized Aluminum	Material
Sensing Element	Ceramic	Material
	Shear	Mode

ENGLISH		SI	
Weight, Max	0.14	oz	4.0
Mounting	Adhesive		Adhesive
Connector [1]	4-pin	Type	4-pin
	Ti-6 AL-4V	Material	Ti-6 AL-4V
Housing	Ti-6 AL-4V	Material	Ti-6 AL-4V
Isolation Cup	Anodized Aluminum	Material	Anodized Aluminum
Sensing Element	Ceramic	Material	Ceramic
	Shear	Mode	Shear

**PERFORMANCE**

	ENGLISH	SI
Sensitivity, +15-10% [2]	25	mV/g
Acceleration Range,	+/- 200	Gpeak
Frequency Range, +15/-10%	.65-10,000	Hz
Resonance Frequency	>24	kHz
Linearity [3]	1	%F.S.
Transverse Sensitivity Max	6	%
Noise floor	0.0024	Grms
Spectral Noise		m/s <sup>2</sup> rms
1Hz	419	μGrms/sqr(Hz)
10Hz	73	μGrms/sqr(Hz)
100Hz	45	μGrms/sqr(Hz)
1000Hz	21	μGrms/sqr(Hz)
10000Hz	11	μGrms/sqr(Hz)

**ENVIRONMENTAL**

	ENGLISH	SI
Shock Max	5000	g pk
Vibration Max	3000	g pk
Operating Temperature	-60 to +225	°F
TEDS Operating Temperature	-40 to +185	°F
Seal	Hermetic	
Base Strain Sensitivity	0.02	g/με

**ELECTRICAL**

	ENGLISH	SI
Supply Current Range [4]	2 to 20	mA
Compliance Voltage Range	+18 to +30	VDC
Output Impedance, Typ.	100	Ω
Output Bias Voltage	11 to 13	VDC
Discharge Time Constant	0.5 - 1.5	sec
TEDS Feature	IEEE 1451.4	
Case Isolation	10	GΩ

**This family also includes:**

Model	Sensitivity (mV/g)	Range (Gpeak)	Resolution (Grms)	Oper. Temp(°F)	Time Constant (sec)
3333M1T	5	1000	0.0072	-60 to +225	0.5 - 1.5
3333M2T	10	500	0.0036	-60 to +225	0.5 - 1.5

Refer to the performance specifications of the products in this family for detailed description

**Supplied Accessories:**

1) Accredited calibration certificate (ISO 17025)

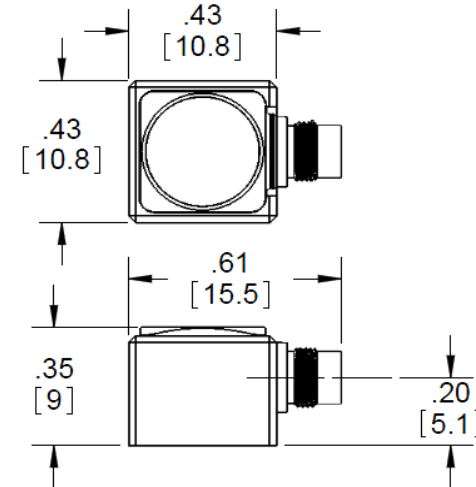
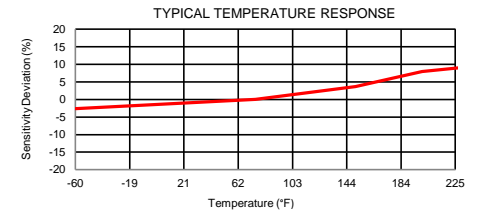
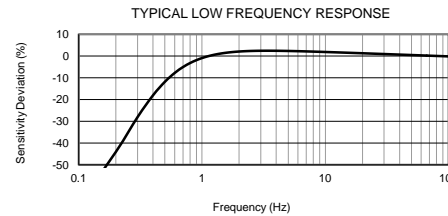
**Notes:**

[1] M4.5 X 0.35 Connector. Mates with Dytran cable Model 6893AXX.

[2] Measured at 100Hz, 5 Grms per ISA RP 37.2.

[3] Measure using zero-based straight line method, % of F.S. or any lesser range.

[4] Do not apply power to this system without current limiting, 20 mA MAX. To do so will destroy the IC charge amplifier.



Units on the line drawing are in inches, units in brackets are in millimeters. Refer to 127-3333MT for more information.



21592 Marilla Street, Chatsworth, California 91311 Phone: 818.700.7818 Fax:818.700.7880 www.dytran.com  
For permission to reprint this content, please contact info@dytran.com