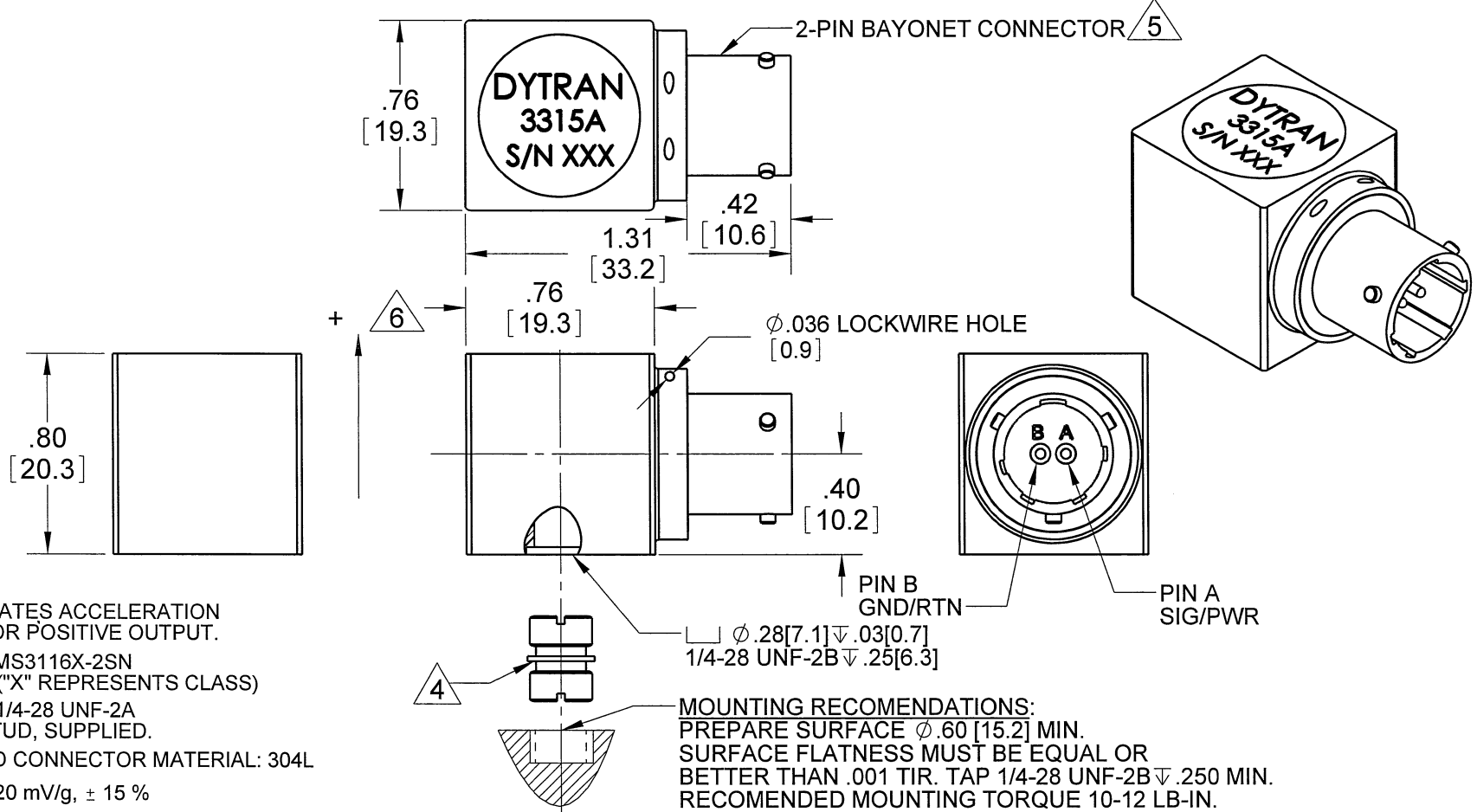


PROPRIETARY AND CONFIDENTIAL

REVISIONS

THE INFORMATION CONTAINED IN THIS DRAWING IS THE SOLE PROPERTY OF DYTRAN INSTRUMENTS INC. ANY REPRODUCTION IN PART OR AS A WHOLE WITHOUT THE WRITTEN PERMISSION OF DYTRAN INSTRUMENTS INC. IS PROHIBITED

REV	ECN	DESCRIPTION	BY/DATE	CHK	APPR
A	6884	INITIAL RELEASE	RA 06/21/10	<i>fl</i>	<i>Aus</i>



- 6 ARROW INDICATES ACCELERATION DIRECTION FOR POSITIVE OUTPUT.
- 5 MATES WITH MS3116X-2SN CONNECTOR ("X" REPRESENTS CLASS)
- 4 MODEL 6176, 1/4-28 UNF-2A MOUNTING STUD, SUPPLIED.
- 3. HOUSING AND CONNECTOR MATERIAL: 304L
- 2. SENSITIVITY: 20 mV/g, ± 15 %
- 1. WEIGHT (APPROX): 49 GRAMS

NOTES: UNLESS OTHERWISE SPECIFIED

CONTRACT NO.



TITLE:

OUTLINE/INSTALLATION, 3315A

APPROVALS		DATE
ORIG	RA	06/21/10
CHK	<i>fl</i>	07/16/10
APP	<i>Aus</i>	7/19/10
APP		

SIZE	CAGE CODE	DWG. NO.	REV
A	2W033	127-3315A	A

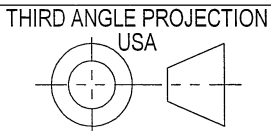
SCALE: 3:2 SOLIDWORKS SHEET 1 OF 1

UNLESS OTHERWISE SPECIFIED:
 INTERPRET DIM & TOL PER ASME Y14.5M - 1994.
 REMOVE BURRS.
 COUNTERSINK INTERNAL THDS 90° TO MAJOR DIA.
 CHAM EXT THDS 45° TO MINOR DIA.
 THD LENGTHS AND DEPTHS ARE FOR MIN FULL THDS.
 THDS PER MIL-S-7742.
 DIMENSIONS APPLY AFTER FINISHING.

UNLESS OTHERWISE SPECIFIED:
 DIMENSIONS ARE IN INCHES. DIMENSIONS IN BRACKETS [] ARE IN MILLIMETERS
 TOLERANCES ARE:
 INCHES METRIC ANGLES
 .XX ± .03 X ± 0.8 ± 1°
 .XXX ± .010 .XX ± 0.25

ALL MACHINED SURFACES. TOTAL RUNOUT WITHIN .005. BREAK SHARP EDGES .005 TO .010. MACHINED FILLET RADII .005 TO .015. WELDING SYMBOLS PER AWS A2.4. ABBREVIATIONS PER MIL-STD-12.

DO NOT SCALE DRAWING



Model Number 3315A	PERFORMANCE SPECIFICATIONS	DOC NO PS3315A
------------------------------	-----------------------------------	--------------------------

	IEPE ACCELEROMETER		REV B, ECN 14653, 11/15/18
--	---------------------------	--	----------------------------



- HERMETICALLY SEALED
- EXCELLENT LINEARITY

PHYSICAL

Weight
Connector
Mounting Provision
Material, Housing/Connector
Sensing Element

Type
Tapped Hole

ENGLISH		SI	
1.72	oz	49.0	grams
2 PIN, Mil- C -2648P		2 PIN, Mil- C -2648P	
1/4-28		1/4-28	
304 L		304 L	
QUARTZ		QUARTZ	

PERFORMANCE

Sensitivity, ±15% [1]
Range for ± 5 Volts Output
Frequency Response, ± 3db
Resonant Frequency
Broad Band Resolution
Linearity [2]
Maximum Transverse sensitivity
Strain Sensitivity @ 250µε

20	mV/g	2	mV/m/s ²
250	g	2453	m/s ²
0.5 to 10000	Hz	0.5 to 10000	Hz
>28	kHz	>28	kHz
0.00075	Grms	0.007	m/s ² rms
±1	% F.S.	±1	% F.S.
5	%	5	%
0.003	g/µε	0.03	m/s ² /µε

ENVIRONMENTAL

Maximum Vibration
Maximum Shock
Temperature Range
Seal

500	Gpeak	4905	m/s ² peak
5000	Gpeak	49050	m/s ² peak
-60 to +250	°F	-51 to +121	°C
HERMETIC		HERMETIC	

ELECTRICAL

Supply Current Range [3]
Compliance Voltage Range
Output Impedance, Max
Bias Voltage
Discharge Time Constant
Electrical Isolation

2 to 20	mA	2 to 20	mA
+20 to +30	Volts	+20 to +30	Volts
150	Ω	150	Ω
7.5 to 12	VDC	7.5 to 12	VDC
0.5 to 1.5	Sec	0.5 to 1.5	Sec
10	GΩ,min	10	GΩ,min

This family also includes:

Model	Sensitivity (mV/g)	Frequency Response (Hz)	Time Constant (Sec)	Operating Temp (°F)

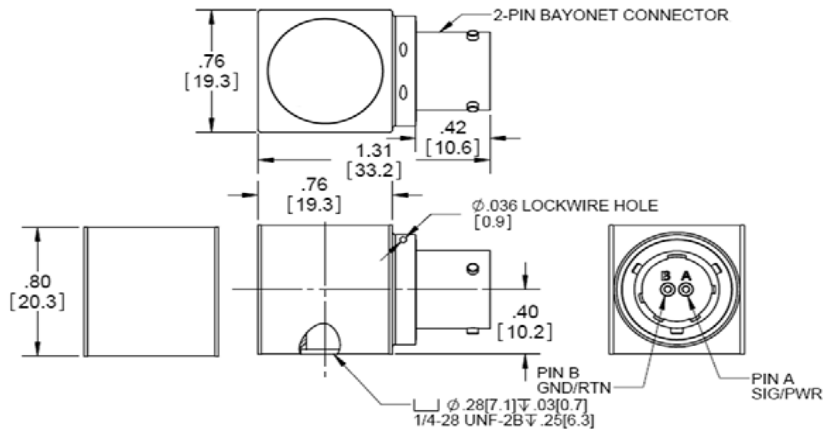
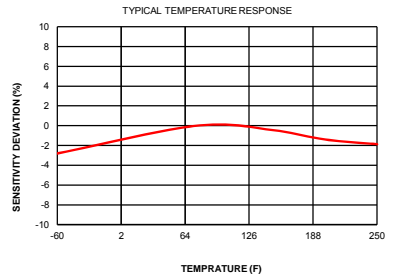
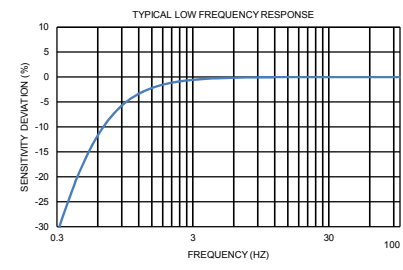
Refer to the performance specifications of the products in this family for detailed description

Supplied Accessories:

- 1) Accredited calibration certificate (ISO 17025)
- 2) Mounting stud model 6176

Notes:

- [1] Measured at 100Hz, 1 Grms per ISA RP 37.2.
- [2] Measure using zero-based straight line method, % of F.S. or any lesser range.
- [3] Do not apply power to this system without current limiting, 20 mA MAX. To do so will destroy the IC charge amplifier.
- [4] In the interest of constant product improvement, we reserve the right to change specifications without notice.



Units on the line drawing are in inches, units in brackets are in millimeters. Refer to 127-3315A for more information.



21592 Marilla Street, Chatsworth, California 91311 Phone: 818.700.7818 Fax:818.700.7880 www.dytran.com
For permission to reprint this content, please contact info@dytran.com