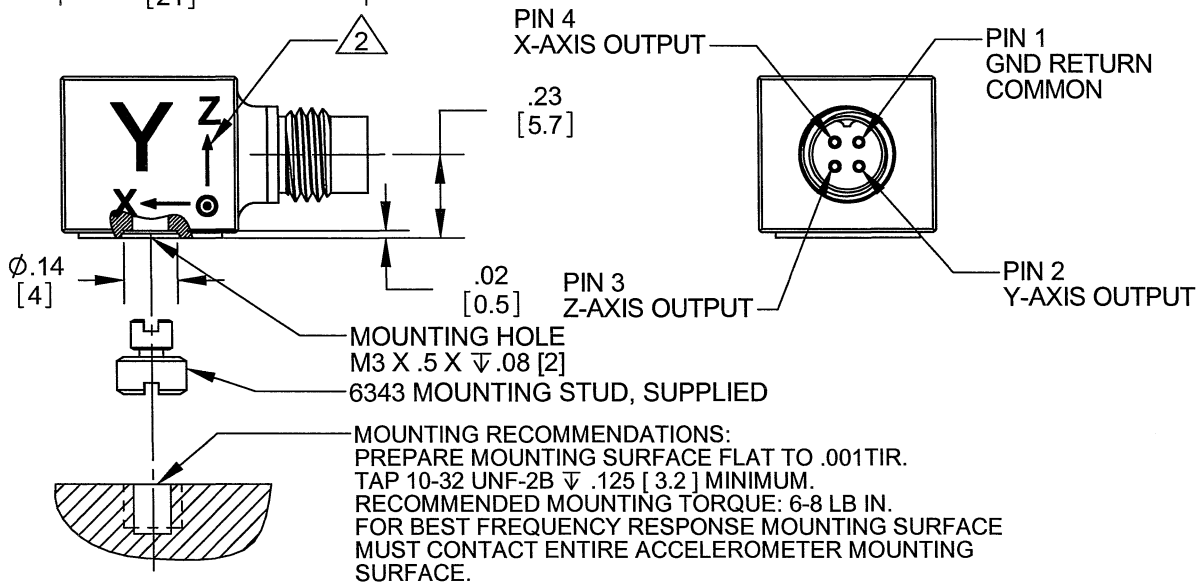
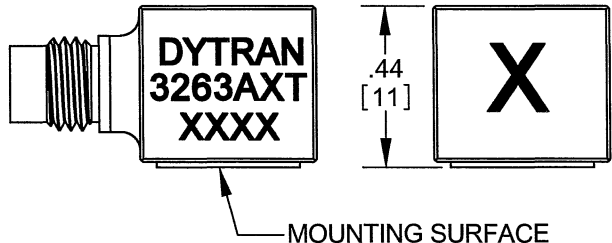
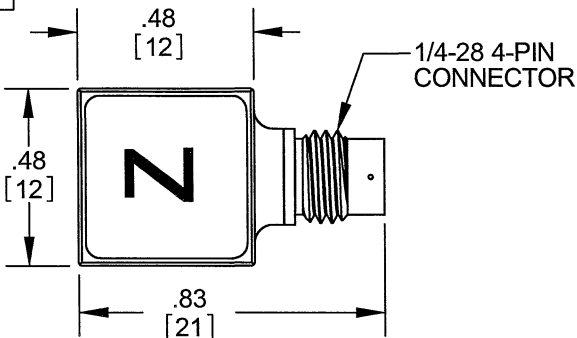


PROPRIETARY AND CONFIDENTIAL

THE INFORMATION CONTAINED IN THIS DRAWING IS THE SOLE PROPERTY OF DYTRAN INSTRUMENTS INC. ANY REPRODUCTION IN PART OR AS A WHOLE WITHOUT THE WRITTEN PERMISSION OF DYTRAN INSTRUMENTS INC. IS PROHIBITED

REV.		ECN	DESCRIPTION	BY/DATE	CHK	APPR
A		8817	INITIAL RELEASE	JS 06/29/12	<i>JS</i>	<i>JS</i>

MODEL	SENSITIVITY
3263A7T	10 mV/g
3263A8T	100 mV/g



4. MATES WITH DYTRAN MODEL 6811AXX (XX = LENGTH IN FEET)
3. WEIGHT: 5.6 GRAMS MAX
2. ARROWS INDICATE ACCELERATION DIRECTION FOR POSITIVE OUTPUT.
1. HOUSING MATERIAL: TITANIUM ALLOY

NOTES: UNLESS OTHERWISE SPECIFIED.

USED ON	NEXT ASSY
APPLICATION	
THIRD ANGLE PROJECTION USA	

UNLESS OTHERWISE SPECIFIED:
 INTERPRET DIM & TOL PER ASME Y14.5M - 1994.
 REMOVE BURRS.
 COUNTERSINK INTERNAL THDS 90° TO MAJOR DIA.
 CHAM EXT THDS 45° TO MINOR DIA.
 THD LENGTHS AND DEPTHS ARE FOR MIN FULL THDS.
 THDS PER MIL-S-7742.
 DIMENSIONS APPLY AFTER FINISHING.
 ALL MACHINED SURFACES.
 TOTAL RUNOUT WITHIN .005.
 BREAK SHARP EDGES .005 TO .010.
 MACHINED FILLET RADII .005 TO .015.
 WELDING SYMBOLS PER AWS A2.4.
 ABBREVIATIONS PER MIL-STD-12.

UNLESS OTHERWISE SPECIFIED:
 DIMENSIONS ARE IN INCHES. DIMENSIONS IN BRACKETS [] ARE IN MILLIMETERS
 TOLERANCES ARE:
 INCHES METRIC ANGLES
 .XX ± .03 .X ± 0.8 ± 1°
 .XXX ± 0.10 .XX ± 0.25

MATERIAL		
FINISH		
DO NOT SCALE DRAWING		

CONTRACT NO.		
APPROVALS		DATE
ORIG	JS	06/28/12
CHK	<i>JS</i>	6/29/12
APP	<i>JS</i>	7/2/12
APP		

MASTER ONLY IF IN RED

DYTRAN INSTRUMENTS, INC. Chatsworth, CA

TITLE: **OUTLINE/INSTALLATION DRAWING, 3263A7T**

SIZE	CAGE CODE	DWG. NO.	REV
A	2W033	127-3263A7T	A
SCALE: NONE	SOLIDWORKS	SHEET 1 OF 1	



- TRIAXIAL ACCELEROMETER
- HIGH SENSITIVITY
- HERMETICALLY SEALED
- WITH TEDS FUNCTION

Weight
Connector [1]
Mounting Provision
Material, Housing/Connector
Sensing Element
Element Style

	ENGLISH		SI
Type	0.19 4-Pin	oz	5.5 4-Pin
	M3 X 0.5		M3 X 0.5
	Titanium		Titanium
	Ceramic		Ceramic
	Shear		Shear

PERFORMANCE

Sensitivity, ±10% [2]
Range F.S. for ± 5 Volts Output
Frequency Response, ±5%
Frequency Response, -5/+15%
Resonant Frequency
Linearity Max [3]
Transverse Sensitivity, Max
Equivalent Electrical Noise Floor
Spectral Noise
Phase Response (±5°)

	ENGLISH		SI
Sensitivity	100	mV/g	10.2
	± 50	g	± 490
Frequency Response	0.5 to 7000	Hz	0.5 to 7000
Frequency Response	0.3 to 10000	Hz	0.3 to 10000
Resonant Frequency	> 45	kHz	> 45
Linearity Max [3]	± 1%	%F.S	± 1%
Transverse Sensitivity, Max	5%		5%
Equivalent Electrical Noise Floor	0.0004	g rms	0.004
	0.0006	g rms	0.006
Spectral Noise	100	µGrms/v(Hz)	981
1Hz	50	µGrms/v(Hz)	491
10Hz	10	µGrms/v(Hz)	98
100Hz	10	µGrms/v(Hz)	98
1000Hz	5	µGrms/v(Hz)	49
10000Hz	1.0 to 5000	Hz	1.0 to 5000

ENVIRONMENTAL

Maximum Vibration
Maximum Shock
Temperature Range
TEDS Operating Temperature
Seal

	ENGLISH		SI
Maximum Vibration	600	±Gpeak	5886
Maximum Shock	5000	±Gpeak	49050
Temperature Range	-60 to +225	°F	-51 to +107
TEDS Operating Temperature	-40 to +185	°F	-40 to +85
Seal	Hermetic		Hermetic

ELECTRICAL

Supply Current Range [4]
Compliance Voltage Range
Output Impedance, Typ
Bias Voltage
Discharge Time Constant
IEPE Sensor with TEDS feature

	ENGLISH		SI
Supply Current Range [4]	2 to 20	mA	2 to 20
Compliance Voltage Range	+18 to +30	Volts	+18 to +30
Output Impedance, Typ	100	Ω	100
Bias Voltage	+11 to +13	VDC	+11 to +13
Discharge Time Constant	1.2 to 2.2	Sec	1.2 to 2.2
IEPE Sensor with TEDS feature	IEEE 1451.4		IEEE 1451.4

This family also includes:

Model	Sensitivity (mV/g)	Range (Gpeak)	Resolution (Grms)	Operating Temp (°F)	Time Constant (Sec)
3263A7T	10	600	0.0095	-60 to 250	0.3 to 1.2

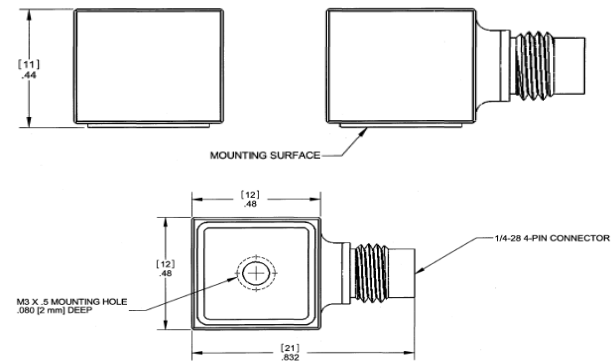
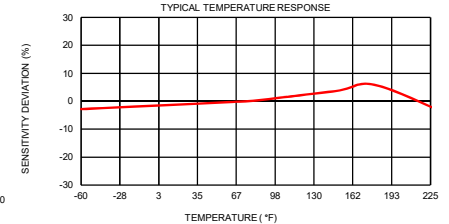
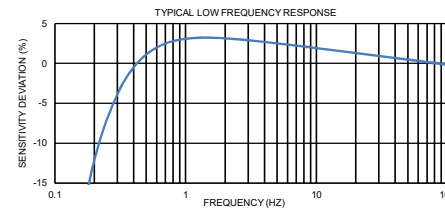
Refer to the performance specifications of the products in this family for detailed description

Supplied Accessories:

- a) Model 6343 mounted stud M3 to 10-32

Notes:

- [2] Measured at 100Hz, 1 Grms per ISA RP 37.2.
 [2] Measure using zero-based straight line method, % of F.S. or any lesser range.
 [4] Do not apply power to this system without current limiting, 20 mA MAX. To do so will destroy the IC charge amplifier.
 [5] In the interest of constant product improvement, we reserve the right to change specifications without notice.
 [6] It is the customer's responsibility to validate that a particular product with the properties described in the product specification is suitable for use in a particular application. Parameters provided in datasheets and / or specifications may vary in different applications and performance may vary overtime. All operating parameters, including typical parameters, must be validated for each customer application by the customer's technical experts.



Units on the line drawing are in inches, units in brackets are in millimeters. Refer to 127-3263A7T for more information.

