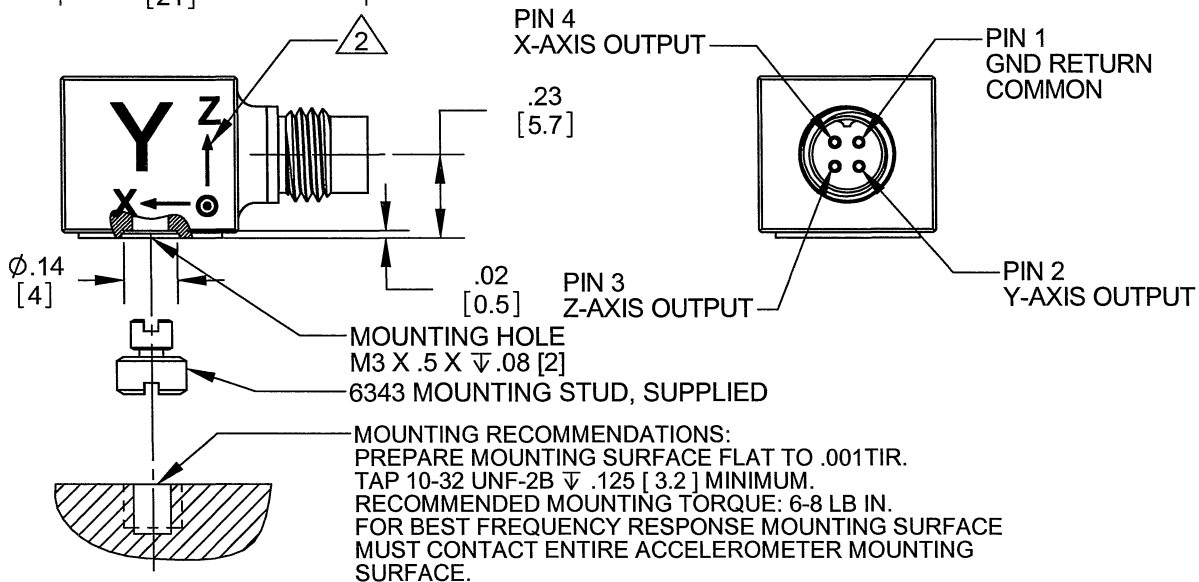
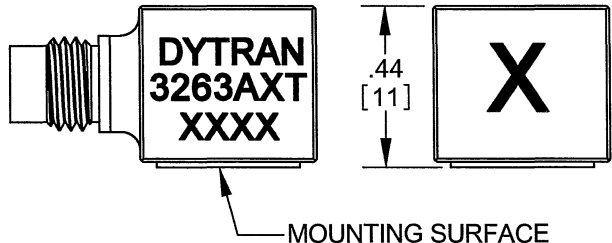
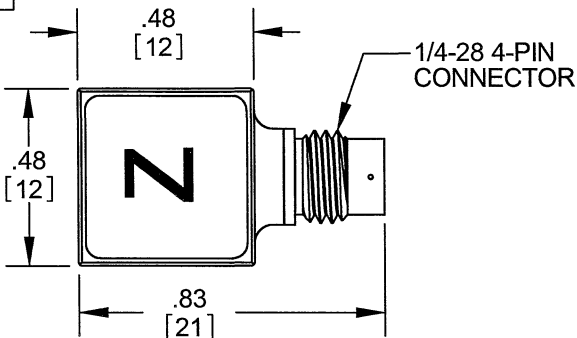


**PROPRIETARY AND CONFIDENTIAL**

THE INFORMATION CONTAINED IN THIS DRAWING IS THE SOLE PROPERTY OF DYTRAN INSTRUMENTS INC. ANY REPRODUCTION IN PART OR AS A WHOLE WITHOUT THE WRITTEN PERMISSION OF DYTRAN INSTRUMENTS INC. IS PROHIBITED

REV.		ECN	DESCRIPTION	BY/DATE	CHK	APPR
A		8817	INITIAL RELEASE	JS 06/29/12	<i>JS</i>	<i>JS</i>

MODEL	SENSITIVITY
3263A7T	10 mV/g
3263A8T	100 mV/g



4. MATES WITH DYTRAN MODEL 6811AXX (XX = LENGTH IN FEET)
3. WEIGHT: 5.6 GRAMS MAX
2. ARROWS INDICATE ACCELERATION DIRECTION FOR POSITIVE OUTPUT.
1. HOUSING MATERIAL: TITANIUM ALLOY

NOTES: UNLESS OTHERWISE SPECIFIED.

USED ON	NEXT ASSY
APPLICATION	
THIRD ANGLE PROJECTION USA	

UNLESS OTHERWISE SPECIFIED:  
 INTERPRET DIM & TOL PER ASME Y14.5M - 1994.  
 REMOVE BURRS.  
 COUNTERSINK INTERNAL THDS 90° TO MAJOR DIA.  
 CHAM EXT THDS 45° TO MINOR DIA.  
 THD LENGTHS AND DEPTHS ARE FOR MIN FULL THDS.  
 THDS PER MIL-S-7742.  
 DIMENSIONS APPLY AFTER FINISHING.  
 ALL MACHINED SURFACES.  
 TOTAL RUNOUT WITHIN .005.  
 BREAK SHARP EDGES .005 TO .010.  
 MACHINED FILLET RADII .005 TO .015.  
 WELDING SYMBOLS PER AWS A2.4.  
 ABBREVIATIONS PER MIL-STD-12.

UNLESS OTHERWISE SPECIFIED:  
 DIMENSIONS ARE IN INCHES. DIMENSIONS IN BRACKETS [ ] ARE IN MILLIMETERS  
 TOLERANCES ARE:  
 INCHES METRIC ANGLES  
 .XX ± .03 .X ± 0.8 ± 1°  
 .XXX ± 0.10 .XX ± 0.25

MATERIAL		
FINISH		
DO NOT SCALE DRAWING		

CONTRACT NO.		
APPROVALS		DATE
ORIG	JS	06/28/12
CHK	<i>JS</i>	6/29/12
APP	<i>JS</i>	7/2/12
APP		

**MASTER ONLY IF IN RED**

**DYTRAN INSTRUMENTS, INC.** Chatsworth, CA

TITLE: **OUTLINE/INSTALLATION DRAWING, 3263A7T**

SIZE	CAGE CODE	DWG. NO.	REV
<b>A</b>	<b>2W033</b>	<b>127-3263A7T</b>	<b>A</b>
SCALE: NONE	SOLIDWORKS	SHEET 1 OF 1	

Model Number 3263A7T	<b>PERFORMANCE SPECIFICATIONS</b>	DOC NO PS3263A7T
IEPE ACCELEROMETER		REV C, ECN 13542, 07/05/17



- TRIAXIAL ACCELEROMETER
- HERMETICALLY SEALED
- WITH TEDS FUNCTION

Weight  
Connector [1]  
Mounting Provision  
Material, Housing/Connector  
Sensing Element  
Element Style

ENGLISH		SI	
0.19	oz	5.5	grams
4-Pin		4-Pin	
M3 X 0.5		M3 X 0.5	
Titanium		Titanium	
Ceramic		Ceramic	
Shear		Shear	

**PERFORMANCE**

Sensitivity, ±10% [2]  
Range F.S. for ± 5 Volts Output  
Frequency Response, -5/+15%  
Resonant Frequency  
Linearity Max [3]  
Transverse Sensitivity, Max  
Equivalent Electrical Noise Floor  
Spectral Noise

10	mV/g	1.0	m/s <sup>2</sup>
± 500	g	± 4900	m/s <sup>2</sup>
1.5 to 10000	Hz	1.5 to 10000	Hz
> 45	kHz	> 45	kHz
± 1%	%F.S	± 1%	%F.S
5%		5%	
0.0095	g rms	0.093	m/s <sup>2</sup> rms
0.001	Grms/√(Hz)	0.0098	m/s <sup>2</sup> rms/√(Hz)
0.0005	Grms/√(Hz)	0.0049	m/s <sup>2</sup> rms/√(Hz)
100Hz	Grms/√(Hz)	0.00098	m/s <sup>2</sup> rms/√(Hz)
1000Hz	Grms/√(Hz)	0.00098	m/s <sup>2</sup> rms/√(Hz)
10000Hz	Grms/√(Hz)	0.00049	m/s <sup>2</sup> rms/√(Hz)

**ENVIRONMENTAL**

Maximum Vibration  
Maximum Shock  
Temperature Range  
TEDS Operating Temperature  
Seal

600	±Gpeak	5886	±m/s <sup>2</sup> peak
5000	±Gpeak	49050	±m/s <sup>2</sup> peak
-60 to +250	°F	-51 to +121	°C
-40 to +185	°F	-40 to +85	°C
Hermetic		Hermetic	

**ELECTRICAL**

Supply Current Range [4]  
Compliance Voltage Range  
Output Impedance, Typ  
Bias Voltage  
Discharge Time Constant  
IEPE Sensor with TEDS feature

2 to 20	mA	2 to 20	mA
+18 to +30	Volts	+18 to +30	Volts
100	Ω	100	Ω
+11 to +13	VDC	+11 to +13	VDC
0.3 to 1.2	Sec	0.3 to 1.2	Sec
IEEE 1451.4		IEEE 1451.4	

**This family also includes:**

Model	Sensitivity (mV/g)	Range (Gpeak)	Resolution (Grms)	Operating Temp (°F)	Time Constant (Sec)

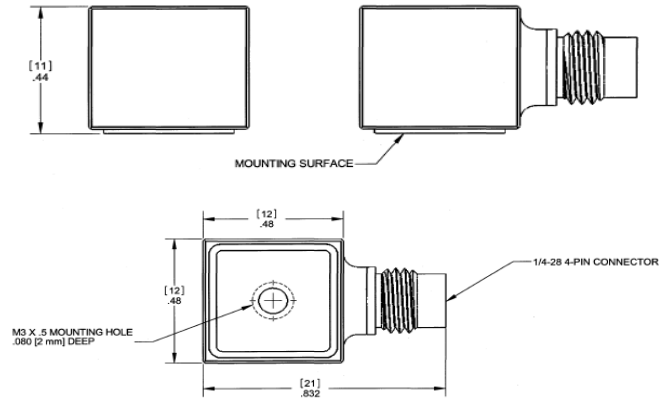
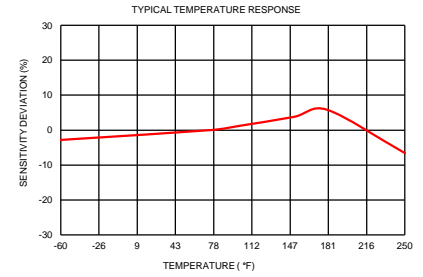
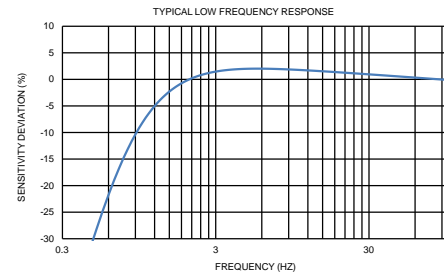
Refer to the performance specifications of the products in this family for detailed description

**Supplied Accessories:**

a) Model 6343 mounted stud M3 to 10-32

**Notes:**

- [2] Measured at 100Hz, 1 Grms per ISA RP 37.2.
- [3] Measure using zero-based straight line method, % of F.S. or any lesser range.
- [4] Do not apply power to this system without current limiting, 20 mA MAX. To do so will destroy the IC charge amplifier.
- [5] In the interest of constant product improvement, we reserve the right to change specifications without notice.



Units on the line drawing are in inches, units in brackets are in millimeters. Refer to 127-3263A7T for more information.



21592 Marilla Street, Chatsworth, California 91311 Phone: 818.700.7818 Fax: 818.700.7880 www.dytran.com  
For permission to reprint this content, please contact info@dytran.com