

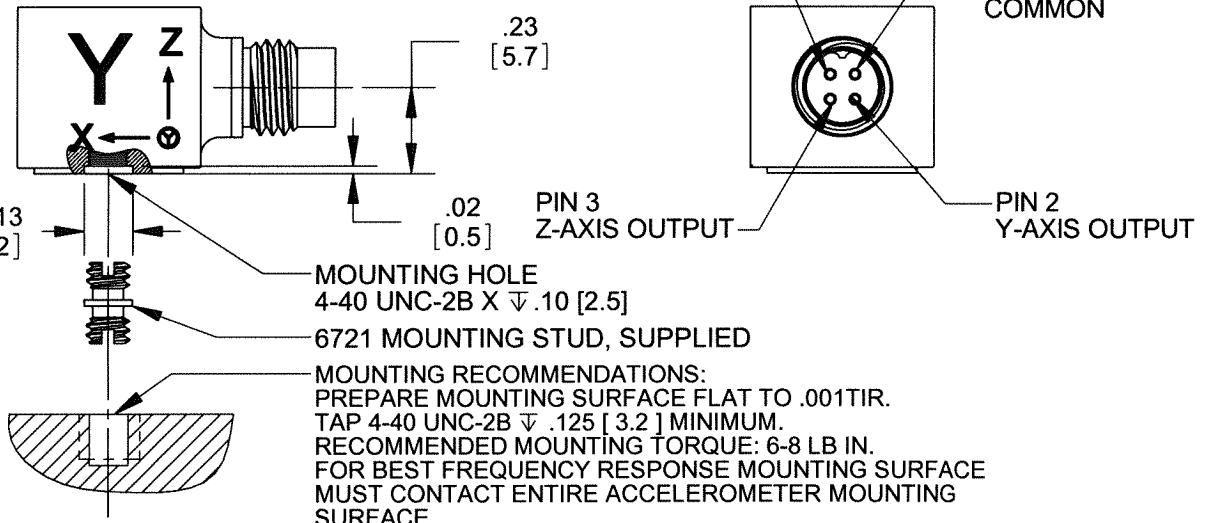
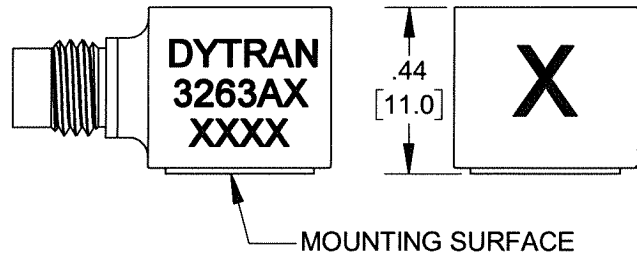
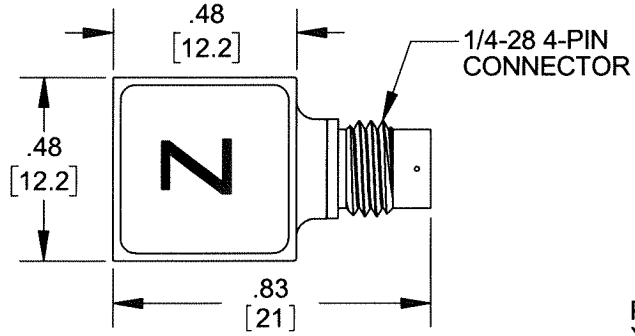
**PROPRIETARY AND CONFIDENTIAL**

THE INFORMATION CONTAINED IN THIS DRAWING IS THE SOLE PROPERTY OF DYTRAN INSTRUMENTS INC. ANY REPRODUCTION IN PART OR AS A WHOLE WITHOUT THE WRITTEN PERMISSION OF DYTRAN INSTRUMENTS INC. IS PROHIBITED

**REVISIONS**

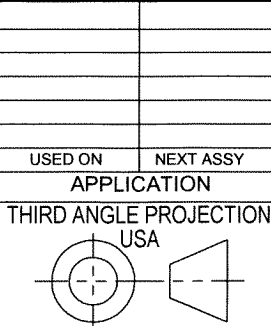
REV.	ECN	DESCRIPTION	BY/DATE	CHK	APPR
B	8131	ADDED: 3263A2 & A3, NOTE 3 IS: ...MAX WAS... NOMINAL	JS 12/14/11	DV	ANS
C	14892	INITIAL RELEASE OF 3263A14	KG 02/07/19	<i>KG</i>	<i>MH</i>

MODEL	SENSITIVITY
3263A1	10 mV/g
3263A2	100 mV/g
3263A3	50 mV/g
3263A14	20 mV/g



4. MATES WITH DYTRAN MODEL 6811AXX (XX = LENGTH IN FEET)
  3. WEIGHT: 5.6 GRAMS MAX
  2. ARROWS INDICATE ACCELERATION DIRECTION FOR POSITIVE OUTPUT.
  1. HOUSING MATERIAL: TITANIUM ALLOY
- NOTES: UNLESS OTHERWISE SPECIFIED.

**MOUNTING RECOMMENDATIONS:**  
 PREPARE MOUNTING SURFACE FLAT TO .001TIR.  
 TAP 4-40 UNC-2B  $\nabla$  .125 [ 3.2 ] MINIMUM.  
 RECOMMENDED MOUNTING TORQUE: 6-8 LB IN.  
 FOR BEST FREQUENCY RESPONSE MOUNTING SURFACE  
 MUST CONTACT ENTIRE ACCELEROMETER MOUNTING SURFACE.



UNLESS OTHERWISE SPECIFIED:  
 INTERPRET DIM & TOL PER ASME Y14.5M - 1994.  
 REMOVE BURRS.  
 COUNTERSINK INTERNAL THDS 90° TO MAJOR DIA.  
 CHAM EXT THDS 45° TO MINOR DIA.  
 THD LENGTHS AND DEPTHS ARE FOR MIN FULL THDS.  
 THDS PER MIL-S-7742.  
 DIMENSIONS APPLY AFTER FINISHING.  
 ALL MACHINED SURFACES.  
 TOTAL RUNOUT WITHIN .005.  
 BREAK SHARP EDGES .005 TO .010.  
 MACHINED FILLET RADII .005 TO .015.  
 WELDING SYMBOLS PER AWS A2.4.  
 ABBREVIATIONS PER MIL-STD-12.

UNLESS OTHERWISE SPECIFIED:  
 DIMENSIONS ARE IN INCHES. DIMENSIONS IN BRACKETS [ ] ARE IN MILLIMETERS  
 TOLERANCES ARE:  
 INCHES METRIC ANGLES  
 .XX ± .03 .X ± 0.8 ± 1°  
 .XXX ± .010 .XX ± 0.25

MATERIAL

FINISH

**DO NOT SCALE DRAWING**

CONTRACT NO.

APPROVALS		DATE
ORIG	RA	9/9/06
CHK	JS	09/09/11
APP	DV	09/27/11
APP		

**MASTER COPY**  
ONLY IF IN RED  
 Chatsworth, CA

TITLE: **OUTLINE/INSTALLATION DRAWING, MODEL 3263A SERIES ACCELEROMETER**

SIZE <b>A</b>	CAGE CODE <b>2W033</b>	DWG. NO. <b>127-3263A3</b>	REV <b>C</b>
SCALE: NONE		SOLIDWORKS	SHEET 1 OF 1

**MODEL NUMBER**  
**3263A3**

**PERFORMANCE SPECIFICATION**

**DOC NO.**  
**PS3263A3**

**TRIAxIAL ACCELEROMETER, IEPE**

REV J, ECN 14928, 03/15/19



ACTUAL SIZE

- TRIAXIAL ACCELEROMETER
- HIGH SENSITIVITY
- MINIATURE SIZE

**This family also includes:**

Model	Sensitivity (mV/g)	Range (Gpeak)	Resolution (Grms)	Oper. Temp(*F)	TC
3263A1	10	500	0.008	-60 to +250	1.0 to 2.0
3263A2	100	50	0.0008	-60 to +225	1.0 to 2.0
3263A14	20	250	0.004	-60 to +250	1.0 to 2.0

Please, refer to the performance specifications of the products in this family for detailed description.

**SUPPLIED ACCESSORIES**

a) Model 6721 mounted stud 4-40 to 4-40.

**Notes:**

- [1] Connector mates with Dytran cable assembly Model 6811AXX (XX= length in feet)
- [2] Measured at 100 Hz, 1 grms per ISA RP 37.2.
- [3] Measured using zero-based best straight-line method, % of F.S. or any lesser range.
- [4] Do not apply power to this device without current limiting, 20 mA MAX. To do so will destroy the integral IC amplifier.
- [5] In the interest of constant product improvement, we reserve the right to change specifications without notice.

**PHYSICAL**

	ENGLISH		SI	
Weight, Max.	0.2	oz	5.6	grams
Mounting, Integral Thread	4-40 UNC-2B		4-40 UNC-2B	
Connector [1]	Type 4 PIN		4 PIN	
Material Body	Material Titanium		Titanium	
Sensing Element	Material Ceramic		Ceramic	
	Mode Shear		Shear	

**PERFORMANCE**

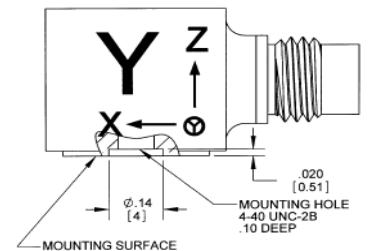
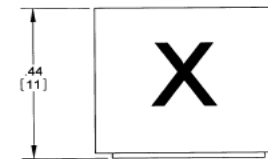
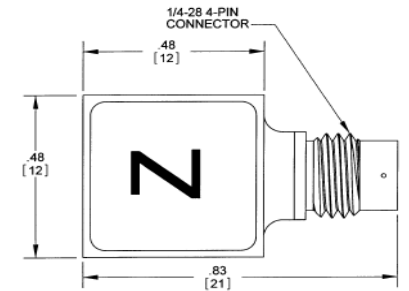
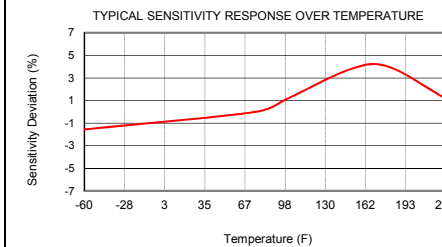
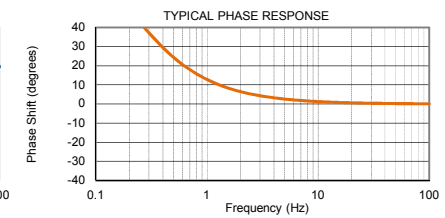
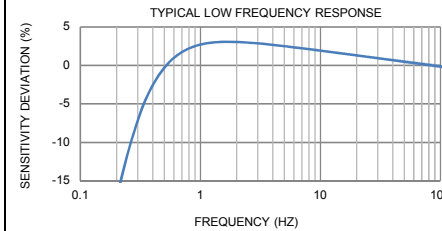
	ENGLISH		SI	
Sensitivity +/- 10% [2]	50	mV/g	5.10	mV/ m/s <sup>2</sup>
Range F.S. For ± 5 Volts Output	100	g	± 980	m/s <sup>2</sup>
Frequency Response, ±5%	0.5 to 4,000	Hz	0.5 to 4,000	Hz
Frequency Response, - 10% to + 15%	0.3 to 10000	Hz	0.3 to 10000	Hz
Resonant Frequency	>40	KHz	>40	KHz
Phase Response, ± 5°	2 to 3000	Hz	2 to 3000	Hz
Linearity, Max [3]	± 1%	%F.S	± 1%	%F.S
Transverse Sensitivity, Max.	6%		6%	
Equivalent Electrical Noise Floor	0.0016	g rms	0.016	m/s <sup>2</sup> rms
Spectral Noise	1Hz	200	1962	μm/s <sup>2</sup> rms/√(Hz)
	10Hz	100	981	μm/s <sup>2</sup> rms/√(Hz)
	100Hz	20	196	μm/s <sup>2</sup> rms/√(Hz)
	1000Hz	18	177	μm/s <sup>2</sup> rms/√(Hz)
	10000Hz	10	98	μm/s <sup>2</sup> rms/√(Hz)

**ENVIRONMENTAL**

	ENGLISH		SI	
Maximum Vibration	600	±gpk	5886	± m/s <sup>2</sup> pk
Maximum Shock	5000	±gpk	49050	± m/s <sup>2</sup> pk
Temperature Range	-60 to +225	°F	-51 to 107	°C
Seal	Hermetic		Hermetic	

**ELECTRICAL**

	ENGLISH		SI	
Supply Current [4]	2 to 20	mA	2 to 20	mA
Compliance Voltage Range	+18 to +30	V	+18 to +30	V
Output Impedance TYP	150	Ω	150	Ω
Bias Voltage	+11 to +13	VDC	+11 to +13	VDC
Discharge Time Constant	1.0 to 2.0	sec	1.0 to 2.0	sec



Units on the line drawing are in inches, units in brackets are in millimeters. Refer to 127-3263A3 for more information.

