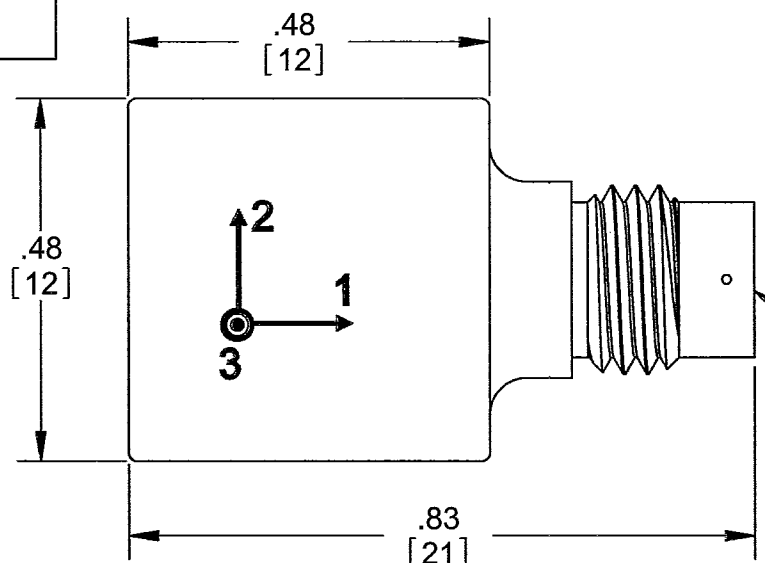


PROPRIETARY AND CONFIDENTIAL

THE INFORMATION CONTAINED IN THIS DRAWING IS THE SOLE PROPERTY OF DYTRAN INSTRUMENTS INC. ANY REPRODUCTION IN PART OR AS A WHOLE WITHOUT THE WRITTEN PERMISSION OF DYTRAN INSTRUMENTS INC. IS PROHIBITED

REVISIONS

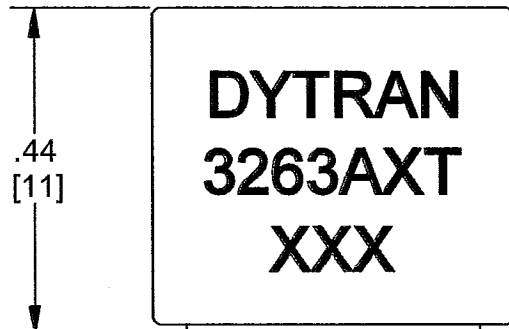
REV.	ECN	DESCRIPTION	BY/DATE	CHK	APPR
A	4631	ADD: 3263A3T TO NOTE 4	R.L.A. 5/4/07	CES	CES
B	9338	UPDATED FORMAT, ZONE B3: ADDED MOUNTING STUD 6721 ZONE B3 ADDED MOUNTING NOTE ZONE C4 DIMENSION .44[11] WAS: .44 [11mm] DELETED NOTE 6	RA, 11/14/12	EM 11/16/12	JW



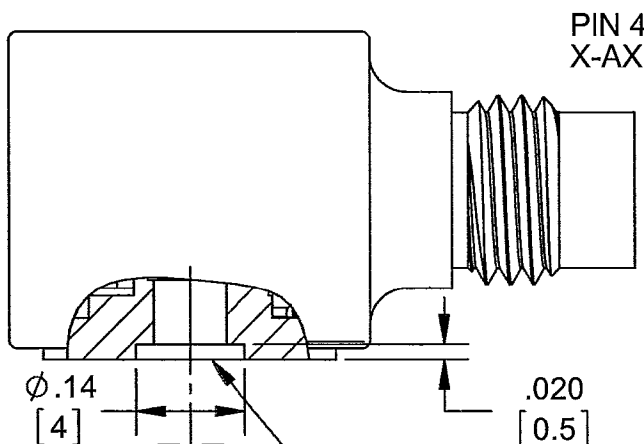
1/4-28 4-PIN CONNECTOR

KEY

PIN 1
GND RETURN
COMMON



MOUNTING SURFACE



MOUNTING HOLE 4-40 UNC-2B X ∇ .10[2.5]

6721 MOUNTING STUD, SUPPLIED

MOUNTING RECOMMENDATIONS:
 PREPARE MOUNTING SURFACE FLAT TO .001TIR.
 TAP 4-40 UNC-2B ∇ .125 [3.2] MINIMUM.
 RECOMMENDED MOUNTING TORQUE: 6-8 LB IN.
 FOR BEST FREQUENCY RESPONSE MOUNTING SURFACE
 MUST CONTACT ENTIRE ACCELEROMETER MOUNTING SURFACE.

- 6. DELETED
- 5. EACH AXIS INCLUDES TEDS
- 4. SENSITIVITY:
 3263A1T: 10mV/g
 3263A2T: 100 mV/g
 3263A3T: 50mV/g
- 3. WEIGHT: 5.6 GRAMS NOMINAL

ARROWS INDICATES ACCELERATION DIRECTION FOR POSITIVE OUTPUT.

1. HOUSING MATERIAL: TITANIUM ALLOY

NOTES: UNLESS OTHERWISE SPECIFIED

UNLESS OTHERWISE SPECIFIED:
 INTERPRET DIM & TOL PER ASME Y14.5M - 1994.
 REMOVE BURRS.
 COUNTERSINK INTERNAL THDS 90° TO MAJOR DIA.
 CHAM EXT THDS 45° TO MINOR DIA.
 THD LENGTHS AND DEPTHS ARE FOR MIN FULL THDS.
 DIMENSIONS APPLY AFTER FINISHING.

ALL MACHINED SURFACES.
 TOTAL RUNOUT WITHIN .005.
 BREAK SHARP EDGES .005 TO .010.
 MACHINED FILLET RADII .005 TO .015.
 WELDING SYMBOLS PER AWS A2.4.
 ABBREVIATIONS PER MIL-STD-12.

UNLESS OTHERWISE SPECIFIED:
 DIMENSIONS ARE IN INCHES.
 DIMENSIONS IN BRACKETS [] ARE IN MILLIMETERS TOLERANCES ARE:

DECIMALS	METRIC	ANGLES
.XX ± .03	X ± 0.8	± 1°
.XXX ± .010	.XX ± 0.25	

APPROVALS		DATE
ORIG	PML	09/09/06
CHK	PML	05/11/06
APP	CES	05/04/07

DO NOT SCALE DRAWING



TITLE: **OUTLINE/INSTALLATION DRAWING, MODEL 3263AT ACCELEROMETER**

SIZE B	CAGE CODE 2W033	DWG NO 127-3263AT	REV B
---------------	------------------------	--------------------------	--------------

SCALE: 2:1 SHEET 1 OF 1

MODEL NUMBER
3263A1T

PERFORMANCE SPECIFICATION

DOC NO.
PS3263A1T

TRIAxIAL ACCELEROMETER, IEPE

REV C, ECN 13542, 07/05/17



- **TRIAxIAL ACCELEROMETER**
- **WITH TEDS FUNCTION**
- **HERMETICALLY SEALED**

PHYSICAL

Weight, Max
Mounting, Integral Thread
Connector [1]
Material Body
Sensing Element

	ENGLISH		SI	
Weight, Max	0.20	oz	5.6	grams
Mounting, Integral Thread	4-40 UNC-2B		4-40 UNC-2B	
Connector [1]	4 PIN	Type	4 PIN	
Material Body	Titanium	Material	Titanium	
Sensing Element	Ceramic	Material	Ceramic	
	Shear	Mode	Shear	

PERFORMANCE

Sensitivity +/- 10% [2]
Range F.S. For ± 5 Volts Output
Frequency Range, -5% / +15%
Resonant Frequency
Linearity Max. [3]
Transverse Sensitivity, Max.
Equivalent Electrical Noise Floor,
25Hz-25kHz
1Hz-10kHz

	ENGLISH		SI	
Sensitivity +/- 10% [2]	10	mV/g	1.0	mV / m/s ²
Range F.S. For ± 5 Volts Output	± 500	g	± 4900	m/s ²
Frequency Range, -5% / +15%	1.5 to 10000	Hz	1.5 to 10000	Hz
Resonant Frequency	>40	KHz	>40	KHz
Linearity Max. [3]	± 1%	%F.S	± 1%	%F.S
Transverse Sensitivity, Max.	6%		6%	
Equivalent Electrical Noise Floor, 25Hz-25kHz	0.0008	g rms	0.008	m/s ² rms
Equivalent Electrical Noise Floor, 1Hz-10kHz	0.001	g rms	0.01	m/s ² rms

ENVIRONMENTAL

Maximum Vibration
Maximum Shock
Temperature Range
TEDs Operating Temperature Range
Seal

	ENGLISH		SI	
Maximum Vibration	600	±gpk	5886	± m/s ² pk
Maximum Shock	5000	±gpk	49050	± m/s ² pk
Temperature Range	-60 to +250	°F	-51 to 121	°C
TEDs Operating Temperature Range	-40 to +185	°F	-40 to +85	°C
Seal	Hermetic		Hermetic	

ELECTRICAL

Supply Current [4]
Compliance Voltage Range
Output Impedance, Typ.
Bias Voltage
Discharge Time Constant
Ground Isolation
IEPE Sensor with TEDS feature

	ENGLISH		SI	
Supply Current [4]	2 to 20	mA	2 to 20	mA
Compliance Voltage Range	+18 to +30	V	+18 to +30	V
Output Impedance, Typ.	150	Ω	150	Ω
Bias Voltage	+11 to +13	VDC	+11 to +13	VDC
Discharge Time Constant	0.3 to 1.0	sec	0.3 to 1.0	sec
Ground Isolation	Case Grounded		Case Grounded	
IEPE Sensor with TEDS feature	IEEE 1451.4		IEEE 1451.4	

This family also includes:

Model	Sensitivity (mV/g)	Range (Gpeak)	Resolution (Grms)	Oper. Temp(°F)	TC
3263A2T	100	50	0.0004	-60 to +225	1.2 to 2.2
3263A3T	50	100	0.001	-60 to +225	0.3 to 1.0

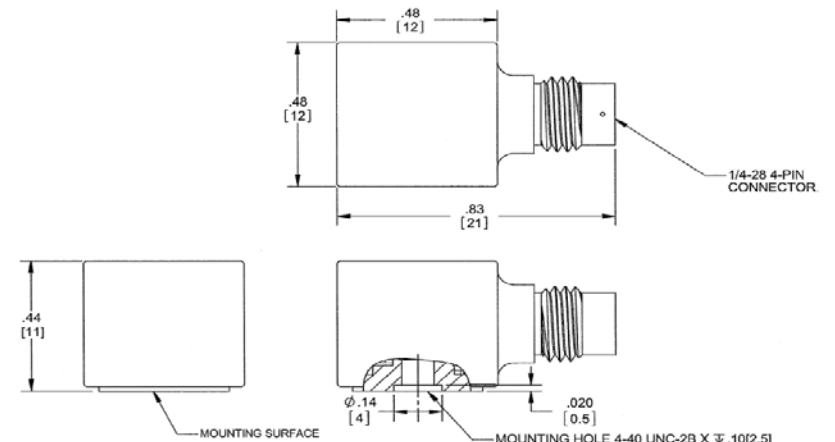
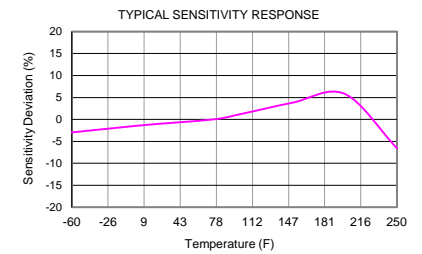
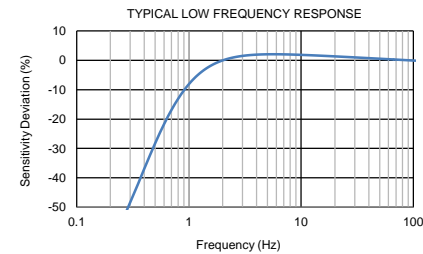
Please, refer to the performance specifications of the products in this family for detailed description.

SUPPLIED ACCESSORIES

a) Model 6721 Mounted Stud, 4-40 UNC-2A to 4-40 UNC-2A

Notes:

- [1] Connector mates with Dytran cable assembly Model 6811AXX (XX= length in feet)
- [2] Measured at 100 Hz, 1 grms per ISA RP 37.2.
- [3] Measured using zero-based best straight-line method, % of F.S. or any lesser range.
- [4] Do not apply power to this device without current limiting, 20 mA MAX. To do so will destroy the integral IC amplifier.
- [5] In the interest of constant product improvement, we reserve the right to change specifications without notice.



Units on the line drawing are in inches, units in brackets are in millimeters. Refer to 127-3263AT for more information.



21592 Marilla Street, Chatsworth, California 91311 Phone: 818.700.7818 Fax: 818.700.7880 www.dytran.com For permission to reprint this content, please contact info@dytran.com