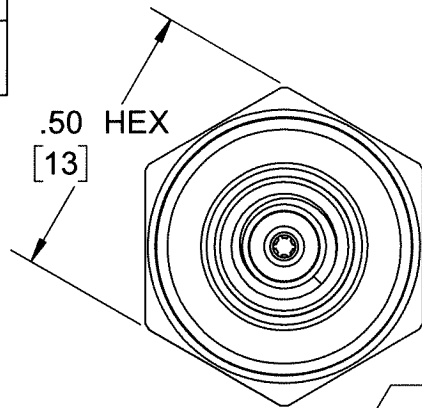


PROPRIETARY AND CONFIDENTIAL

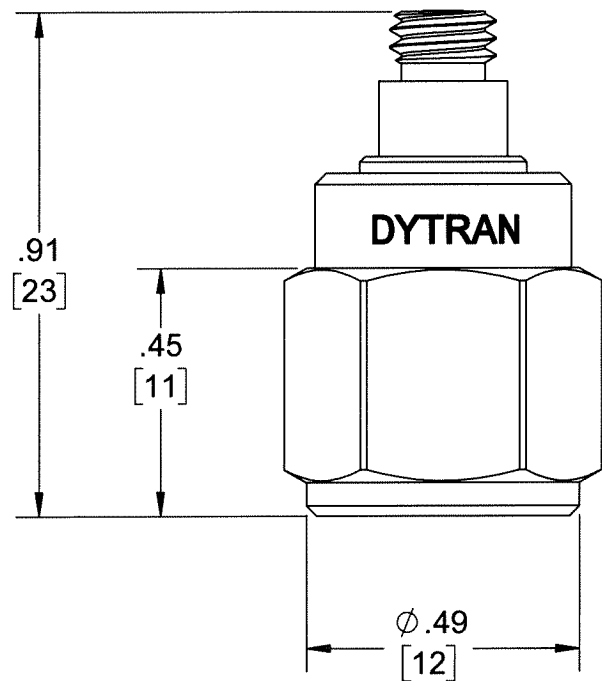
THE INFORMATION CONTAINED IN THIS DRAWING IS THE SOLE PROPERTY OF DYTRAN INSTRUMENTS INC. ANY REPRODUCTION IN PART OR AS A WHOLE WITHOUT THE WRITTEN PERMISSION OF DYTRAN INSTRUMENTS INC. IS PROHIBITED

REVISIONS

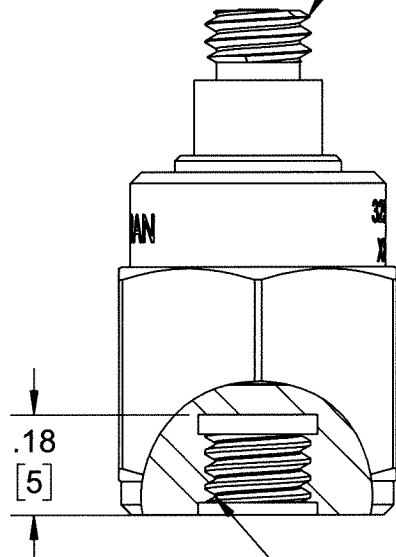
REV.	ECN	DESCRIPTION	BY/DATE	CHK	APPR
A	4932	INITIAL RELEASE	JS 11/27/07	RA	CES
B	11745	MOVED MARKING FROM HEX TO DIAMETER	NDC 02/25/15	JS	LN
C	11835	REDESIGNED WITH CHANGES	RA, 05/19/15	EM	LN
D	14629	INITIAL RELEASE, SAME AS C1: 3256A4T AND 3256A6T	RA, 10/23/18	DP	LN



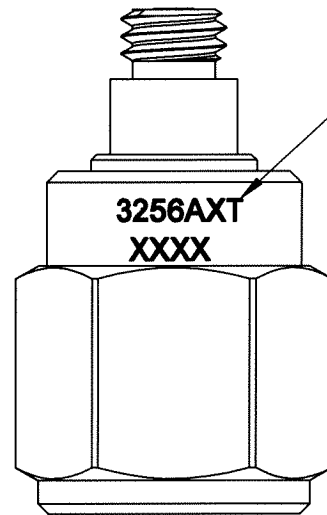
10-32 UNF-2A COAXIAL CONNECTOR



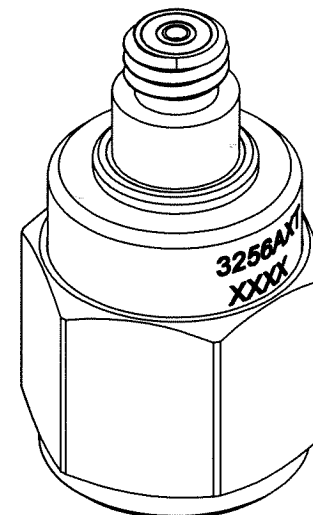
DYTRAN



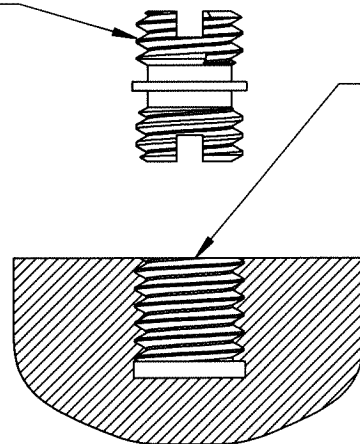
10-32-UNF-2B



SEE TABULATION



10-32 UNF-2A MODEL 6200 MTG STUD PROVIDED



MOUNTING SURFACE HOLE PREPARATION: SELECT SURFACE FLAT TO .001 TIR TAP 10-32 UNF-2B X .200 MIN THD DEPTH

3256A6T	A	14629	10/23/18	200mV/G
3256A5T	C	11835	05/29/15	50mV/G
3256A4T	A	14629	10/23/18	20mV/G
3256A3T	C	11835	05/19/15	500mV/G
3256A2T	C	11835	05/19/15	100mV/G
3256A1T	C	11835	05/19/15	10mV/G
MODEL	REV	ECN	DATE	SEN mV/G

TABULATION

NOTES: UNLESS OTHERWISE SPECIFIED

UNLESS OTHERWISE SPECIFIED:
 INTERPRET DIM & TOL PER ASME Y14.5M - 1994.
 REMOVE BURRS.
 COUNTERSINK INTERNAL THDS 90° TO MAJOR DIA.
 CHAM EXT THDS 45° TO MINOR DIA.
 THD LENGTHS AND DEPTHS ARE FOR MIN FULL THDS.
 DIMENSIONS APPLY AFTER FINISHING.

ALL MACHINED SURFACES:
 TOTAL RUNOUT WITHIN .005.
 BREAK SHARP EDGES .005 TO .010.
 MACHINED FILLET RADII .005 TO .015.
 WELDING SYMBOLS PER AWS A2.4.
 ABBREVIATIONS PER MIL-STD-12.

UNLESS OTHERWISE SPECIFIED:
 DIMENSIONS ARE IN INCHES.
 DIMENSIONS IN BRACKETS [] ARE IN MILLIMETERS TOLERANCES ARE:

DECIMALS	METRIC	ANGLES
.XX ± .03	.X ± 0.8	± 1°
.XXX ± .010	.XX ± 0.25	

APPROVALS		DATE
ORIG	JS	11/26/07
CHK	RA	11/26/07
APP	CES	11/30/07

DO NOT SCALE DRAWING

THIRD ANGLE PROJECTION USA



TITLE: OUTLINE/INSTALLATION, MODEL 3256AXT

SIZE	CAGE CODE	DWG NO	REV
B	2W033	127-3256AT	D

SCALE: 2:1 SHEET 1 OF 1

Model Number 3256A6T	PERFORMANCE SPECIFICATIONS	DOC NO PS3256A6T
IEPE ACCELEROMETER		REV A, ECN 14629, 10/17/18



- HERMETICALLY SEALED
- CASE GROUNDED
- TEDS

PHYSICAL

Weight
Connector Type
Mounting Provision
Material, Housing/Connector
Sensing Element
Element Style

ENGLISH		SI	
0.35	oz	10	grams
10-32		10-32	
10-32 X .150 ↓		10-32 X .150 ↓	
Titanium		Titanium	
Ceramic		Ceramic	
Planar Shear		Planar Shear	

PERFORMANCE

Sensitivity, ±5% [1]
Range for ± 5 Volts Output
Frequency Response, ±10%
Resonant Frequency
Broad Band Resolution
Linearity [2]
Maximum Transverse Sensitivity
Strain Sensitivity @ 250µε

200	mV/G	20.4	mV/m/s ²
25	G peak	245	m/s ²
1 to 10,000	Hz	1 to 10,000	Hz
> 36	kHz	> 36	kHz
0.0003	G rms	0.0029	m/s ² rms
±1	% F.S.	±1	% F.S.
5	%	5	%
0.001	G/µε	0.01	m/s ² /µε

ENVIRONMENTAL

Maximum Vibration
Maximum Shock
Operating Temperature Range
TEDS Operating Temperature
Seal

30	G peak	294	m/s ² peak
2000	G peak	19620	m/s ² peak
-60 to 225	*F	-51 to 107	*C
-40 to 185	*F	-40 to 85	*C
HERMETIC		HERMETIC	

ELECTRICAL

Supply Current Range [3]
Compliance Voltage Range
Output Impedance, Typ
Bias Voltage
Discharge Time Constant
TEDS

2 to 20	mA	2 to 20	mA
+18 to +30	Volts	+18 to +30	Volts
100	Ω	100	Ω
+9 to +13	VDC	+9 to +13	VDC
.5 to 1.5	Sec	.5 to 1.5	Sec
IEEE 1451.4		IEEE 1451.4	

This family also includes:

Model	Sensitivity (mV/g)	Frequency Response (Hz)	Time Constant (Sec)	Operating Temp (*F)
3256A1T	10	1 to 10000	0.5 to 1.5	-60 to +250
3256A2T	100	1 to 10000	0.5 to 1.5	-60 to +250
3256A3T	500	1 to 10000	0.5 to 1.5	-60 to +225
3256A4T	20	1 to 10000	0.5 to 1.5	-60 to +250
3256A5T	50	1 to 10000	0.5 to 1.5	-60 to +250

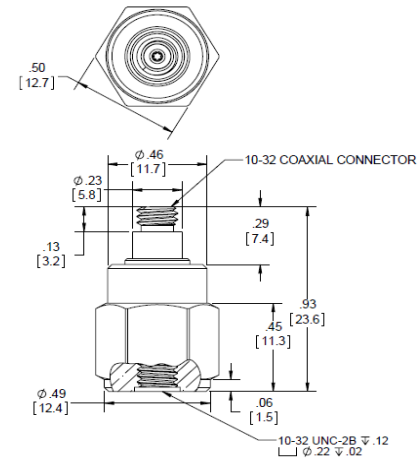
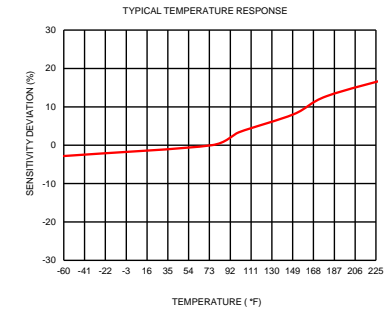
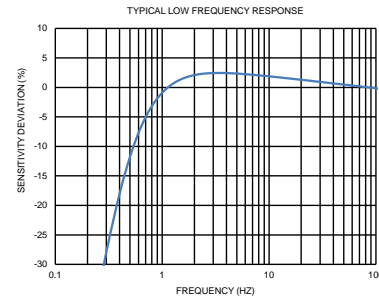
Refer to the performance specifications of the products in this family for detailed description

Supplied Accessories:

- 1) Accredited calibration certificate (ISO 17025)
- 2) 10-32 to 10-32 mounting stud, Model 6200. Qty. 1

Notes:

- [1] Measured at 100Hz, 1 Grms per ISA RP 37.2.
- [2] Measured using zero-based straight line method, % of F.S. or any lesser range.
- [3] Do not apply power to this system without current limiting, 20 mA MAX. To do so will destroy the IC charge amplifier.
- [4] In the interest of constant product improvement, we reserve the right to change specifications without notice.



Units on the line drawing are in inches, units in brackets are in millimeters. Refer to 127-3256AT for more information.

