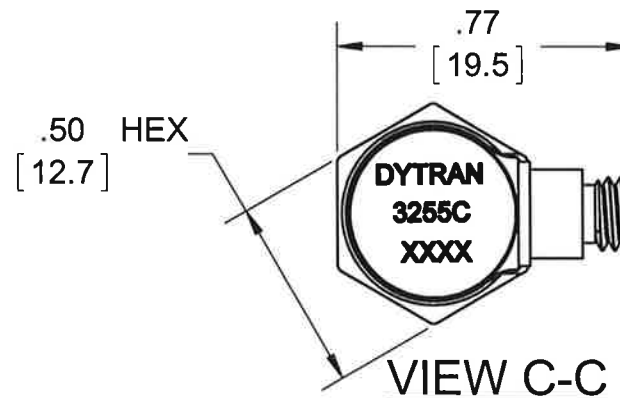
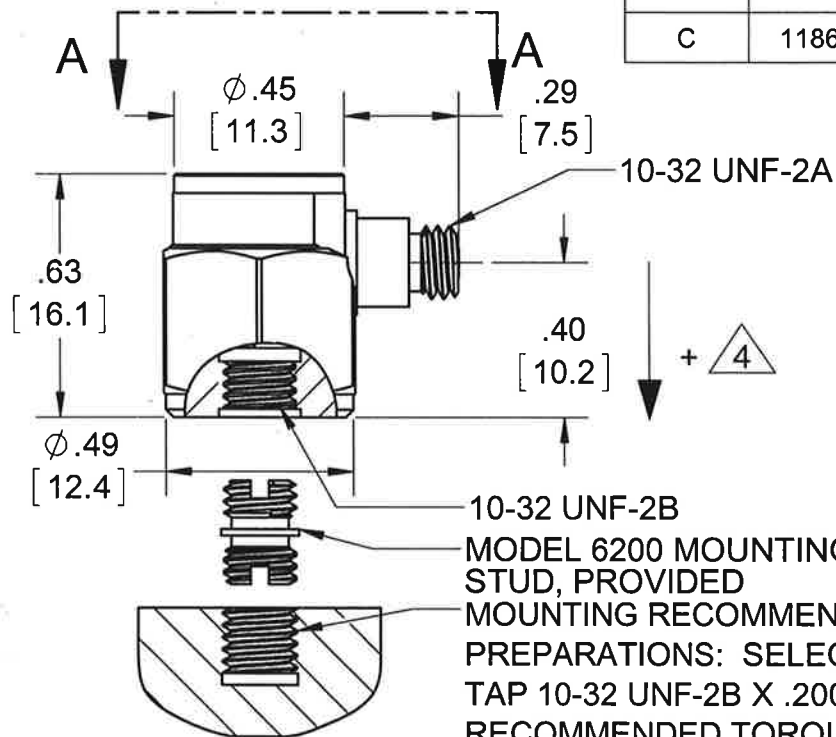


PROPRIETARY AND CONFIDENTIAL

THE INFORMATION CONTAINED IN THIS DRAWING IS THE SOLE PROPERTY OF DYTRAN INSTRUMENTS INC. ANY REPRODUCTION IN PART OR AS A WHOLE WITHOUT THE WRITTEN PERMISSION OF DYTRAN INSTRUMENTS, INC. IS PROHIBITED

REVISIONS

REV.	ECN	DESCRIPTION	BY/DATE	CHK	APPR
B	6230	SEE ECN	JS 09/10/09	RA	DV
C	11862	REVISED ISOLATION DESIGN	RA, 07/17/15	EM	LN



MOUNTING RECOMMENDATIONS:
 PREPARATIONS: SELECT SURFACE FLAT TO .001 TIR
 TAP 10-32 UNF-2B X .200 MIN THD DEPTH.
 RECOMMENDED TORQUE: 10-12 LB-IN

- 3. MATES WITH 6013AXX, 6019AXX
 - 2. MATERIAL: TITANIUM
 - 1. WEIGHT: 10 GRAMS APPROXIMATELY
- NOTES: UNLESS OTHERWISE SPECIFIED.

4. ARROW INDICATES DIRECTION OF ACCELERATION FOR POSITIVE OUTPUT.

USED ON	NEXT ASSY
APPLICATION	
THIRD ANGLE PROJECTION USA	

UNLESS OTHERWISE SPECIFIED:
 INTERPRET DIM & TOL PER ASME Y14.5M - 1994.
 REMOVE BURRS.
 COUNTERSINK INTERNAL THDS 90° TO MAJOR DIA.
 CHAM EXT THDS 45° TO MINOR DIA. THD LENGTHS AND DEPTHS ARE FOR MIN FULL THDS.
 THDS PER MIL-S-7742.
 DIMENSIONS APPLY AFTER FINISHING.
 ALL MACHINED SURFACES.
 TOTAL RUNOUT WITHIN .005.
 BREAK SHARP EDGES .005 TO .010.
 MACHINED FILLET RADII .005 TO .015.
 WELDING SYMBOLS PER AWS A2.4.
 ABBREVIATIONS PER MIL-STD-12.

UNLESS OTHERWISE SPECIFIED: DIMENSIONS ARE IN INCHES. DIMENSIONS IN BRACKETS [] ARE IN MILLIMETERS TOLERANCES ARE: INCHES METRIC ANGLES .XX ± .03 .X ± 0.8 ± 1° .XXX ± .010 .XX ± 0.25		
MATERIAL		
FINISH		
DO NOT SCALE DRAWING		

CONTRACT NO.		
APPROVALS		DATE
ORIG	RA	01/05/09
CHK	JS	01/07/09
APP	DV	01/07/09
APP		

DYTRAN INSTRUMENTS, INC. **MASTER COPY ONLY IF IN RED** Chatsworth, CA

TITLE: **OUTLINE/INSTALLATION, DRAWING 3255C**

SIZE	CAGE CODE	DWG. NO.	REV
A	2W033	127-3255C	C
SCALE: 2:1	SOLIDWORKS	SHEET 1 OF 1	

MODEL NUMBER
3255C

PERFORMANCE SPECIFICATION

DOC NO.
PS3255C

Accelerometer, Charge Mode

REV D, ECN 14805, 01/04/18



- **HERMETICALLY SEALED**
- **HIGH CHARGE OUTPUT**
- **ROBUST DESIGN**

	ENGLISH		SI	
Weight	0.35	oz	10.0	grams
Mounting Internal Thread	10-32 UNF-2B		10-32 UNF-2B	
Connector [1]	Coaxial		Coaxial	
Housing	Material	Titanium	Titanium	
	Material	Titanium	Titanium	
Isolation	Material	Case Grounded	Case Grounded	
	Material	Ceramic	Ceramic	
Sensing Element	Mode	Shear	Shear	

PHYSICAL

Weight
Mounting Internal Thread
Connector [1]

Housing

Sensing Element

PERFORMANCE

Sensitivity, ± 15% [2]
Acceleration Range [3]
Frequency Range, ±5%
Resonance Frequency
Linearity [4]
Transverse Sensitivity Max

ENVIRONMENTAL

Shock Max
Vibration Max
Operating Temperature
Seal
Coefficient of Thermal Sensitivity

ELECTRICAL

Capacitance, nom

This family also includes:

Model	Sensitivity (pC/g)	Range (Gpeak)	Resolution (Grms)	Oper. Temp(°F)

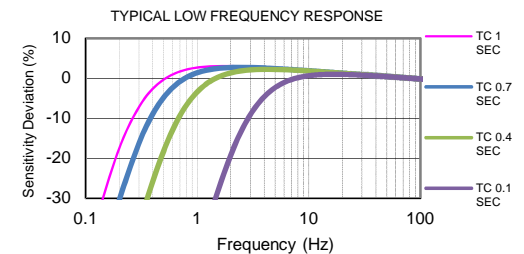
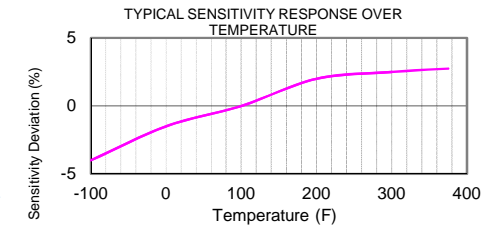
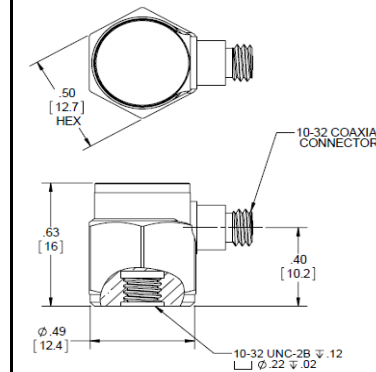
Please, refer to the performance specifications of the products in this family for detailed description

Supplied Accessories:

- 1) Model 6200 Mounting Stud
- 2) Accredited Calibration Certificate (ISO 17025)

Notes:

- [1] Mates with Dytran cable Model 6013AXX or 6019AXX(XX= Length in feet).
- [2] Measured At 100 Hz, 1 Grms per ISA RP 37.2
- [3] Depends On the Gain Setting Of The Charge Amplifier Used
- [4] Measured using zero-based best straight line method, % of F.S. or any lesser calibrated range.
- [5] Low Frequency Response Is the Function Of the Discharge Time Constant Of The Charge Amplifier Used. Please, Refer To The Plot Below For Frequency Response For Different Time Constants



Units on the line drawing are in inches, units in brackets are in millimeters. Refer to 127-3255C for more



21592 Marilla Street, Chatsworth, California 91311 Phone: 818.700.7818 Fax: 818.700.7880 www.dytran.com For permission to reprint this content, please contact info@dytran.com