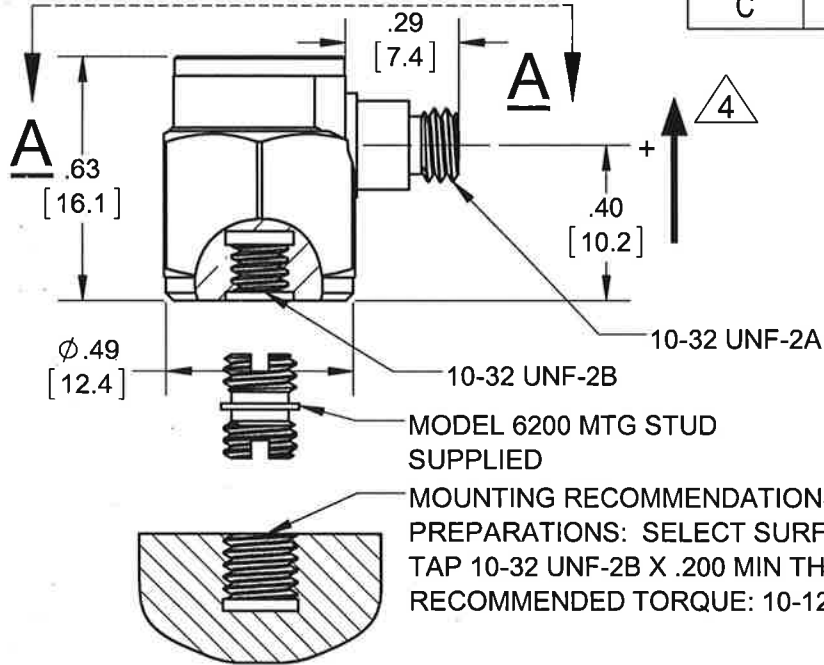


PROPRIETARY AND CONFIDENTIAL

THE INFORMATION CONTAINED IN THIS DRAWING IS THE SOLE PROPERTY OF DYTRAN INSTRUMENTS INC. ANY REPRODUCTION IN PART OR AS A WHOLE WITHOUT THE WRITTEN PERMISSION OF DYTRAN INSTRUMENTS INC. IS PROHIBITED

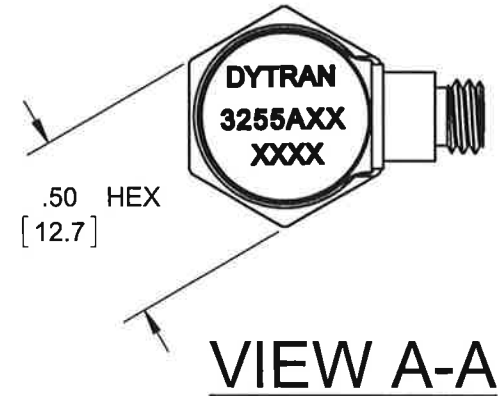
REVISIONS

REV	ECN	DESCRIPTION	BY/DATE	CHK	APPR
B	8293	SEE ECN	LN, 02/13/12	RA	DV
C	11862	REDESIGN WITH CHANGES	RA, 07/16/15	EM	LN



MODEL 6200 MTG STUD SUPPLIED

MOUNTING RECOMMENDATIONS:
 PREPARATIONS: SELECT SURFACE FLAT TO .001 TIR
 TAP 10-32 UNF-2B X .200 MIN THD DEPTH.
 RECOMMENDED TORQUE: 10-12 LB-IN



4. ARROW INDICATES DIRECTION OF ACCELERATION FOR POSITIVE OUTPUT.

3. OPERATING TEMPERATURE -60 °F (-51 °C) TO 225 °F (107 °C).

2. HOUSING MATERIAL: TITANIUM

1. MAX WEIGHT: 10 GRAMS

MODEL	SENSITIVITY
3255A1	10 mV/g
3255A2	100 mV/g
3255A3	500 mV/g
3255A4	50 mV/g
3255A5	20 mV/g
3255A6	200 mV/g

USED ON	NEXT ASSY
APPLICATION	
THIRD ANGLE PROJECTION USA	

UNLESS OTHERWISE SPECIFIED:
 INTERPRET DIM & TOL PER ASME Y14.5M - 1994.
 REMOVE BURRS.
 COUNTERSINK INTERNAL THDS 90° TO MAJOR DIA.
 CHAM EXT THDS 45° TO MINOR DIA.
 THD LENGTHS AND DEPTHS ARE FOR MIN FULL THDS.
 THDS PER MIL-S-7742.
 DIMENSIONS APPLY AFTER FINISHING.

63
 ALL MACHINED SURFACES. TOTAL RUNOUT WITHIN .005.
 BREAK SHARP EDGES .005 TO .010.
 MACHINED FILLET RADII .005 TO .015.
 WELDING SYMBOLS PER AWS A2.4.
 ABBREVIATIONS PER MIL-STD-12.

UNLESS OTHERWISE SPECIFIED:
 DIMENSIONS ARE IN INCHES. DIMENSIONS IN BRACKETS [] ARE IN MILLIMETERS
 TOLERANCES ARE:
 INCHES METRIC ANGLES
 .XX ± .03 .X ± 0.8 ± 1°
 .XXX ± 0.10 .XX ± 0.25

MATERIAL

FINISH

DO NOT SCALE DRAWING

CONTRACT NO.

APPROVALS		DATE
ORIG	JS	02/05/07
CHK	CES	02/09/07
APP	CES	02/09/07
APP		

DYTRAN INSTRUMENTS, INC. Chatsworth, CA

MASTER COPY ONLY IF IN RED

TITLE:
OUTLINE/INSTALLATION, DRAWING, 3255A SERIES ACCEL

SIZE	CAGE CODE	DWG. NO.	REV
A	2W033	127-3255A	C

SCALE: NONE SOLIDWORKS SHEET 1 OF 1

Model Number 3255A6	PERFORMANCE SPECIFICATIONS	DOC NO PS3255A6
IEPE ACCELEROMETER		REV E, ECN 11862, 07/23/15



- HERMETICALLY SEALED
- IDEAL LOW FREQUENCY RESPONSE

PHYSICAL

Weight
Connector
Mounting Provision
Material, Housing/Connector
Sensing Element
Element Style

Type
Tapped Hole

ENGLISH		SI	
0.35	oz	10.0	grams
10-32		10-32	
10-32 X .150 ↓		10-32 X .150 ↓	
Titanium		Titanium	
Ceramic		Ceramic	
Planar Shear		Planar Shear	

PERFORMANCE

Sensitivity, ± 5% [1]
Range for ± 5 Volts Output
Frequency Response, ± 10%
Resonant Frequency
Broad Band Resolution
Linearity [2]
Maximum Transverse sensitivity
Strain Sensitivity @ 250µε

200	mV/g	20	mV/m/s ²
25	g	245	m/s ²
1 to 10000	Hz	1 to 10000	Hz
> 36	kHz	> 36	kHz
0.0003	Grms	0.003	m/s ² rms
± 1	% F.S.	± 1	% F.S.
5	%	5	%
0.002	g/µε	0.02	m/s ² /µε

ENVIRONMENTAL

Maximum Vibration
Maximum Shock
Temperature Range
Seal

300	Gpeak	2943	m/s ² peak
2000	Gpeak	19620	m/s ² peak
-60 to +225	*F	-51 to +107	*C
Hermetic		Hermetic	

ELECTRICAL

Supply Current Range [3]
Compliance Voltage Range
Output Impedence, Typ
Bias Voltage
Discharge Time Constant

2 to 20	mA	2 to 20	mA
+18 to +30	Volts	+18 to +30	Volts
100	Ω	100	Ω
+11 to +13	VDC	+11 to +13	VDC
0.5 to 1.5	Sec	0.5 to 1.5	Sec

This family also includes:

Model	Sensitivity (mV/g)	Frequency Response, ±5 % (Hz)	Time Constant (Sec)	Operating Temp (*F)
3255A1	10	1 to 10000	0.5 to 1.5	-60 to +250
3255A2	100	1 to 10000	0.5 to 1.5	-60 to +250
3255A3	500	1 to 10000	0.5 to 1.5	-60 to +225
3255A4	50	1 to 10000	0.5 to 1.5	-60 to +250
3255A5	20	1 to 10000	0.5 to 1.5	-60 to +250

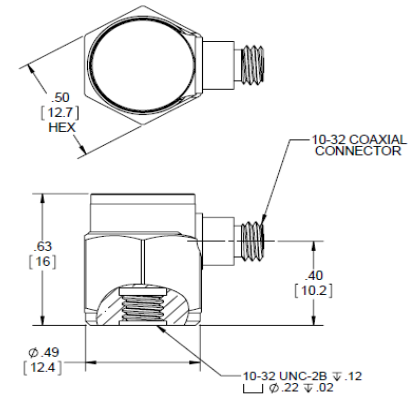
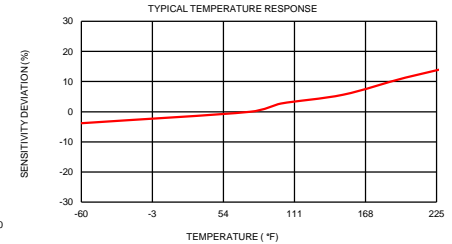
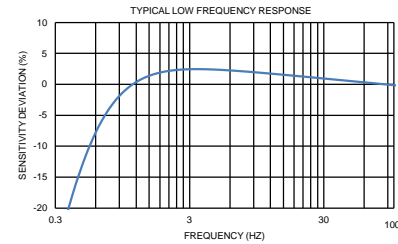
Refer to the performance specifications of the products in this family for detailed description

Supplied Accessories:

- 1) Accredited calibration certificate (ISO 17025)
- 2) Model 6200 mounting stud, qty 1

Notes:

- [1] Measured at 100Hz, 1 Grms per ISA RP 37.2.
- [2] Measure using zero-based straight line method, % of F.S. or any lesser range.
- [3] Do not apply power to this system without current limiting, 20 mA MAX. To do so will destroy the IC charge amplifier.
- [4] In the interest of constant product improvement, we reserve the right to change specifications without notice.



Units on the line drawing are in inches, units in brackets are in millimeters. Refer to 127-3255A for more information.



21592 Marilla Street, Chatsworth, California 91311 Phone: 818.700.7818 Fax: 818.700.7880 www.dytran.com
For permission to reprint this content, please contact info@dytran.com