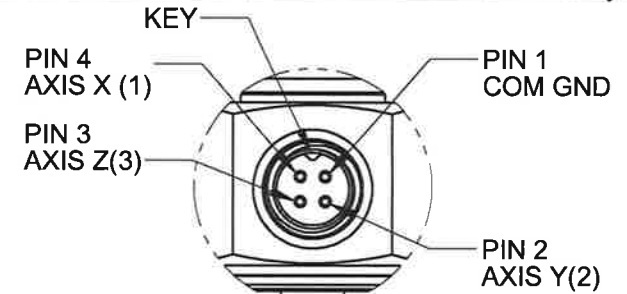
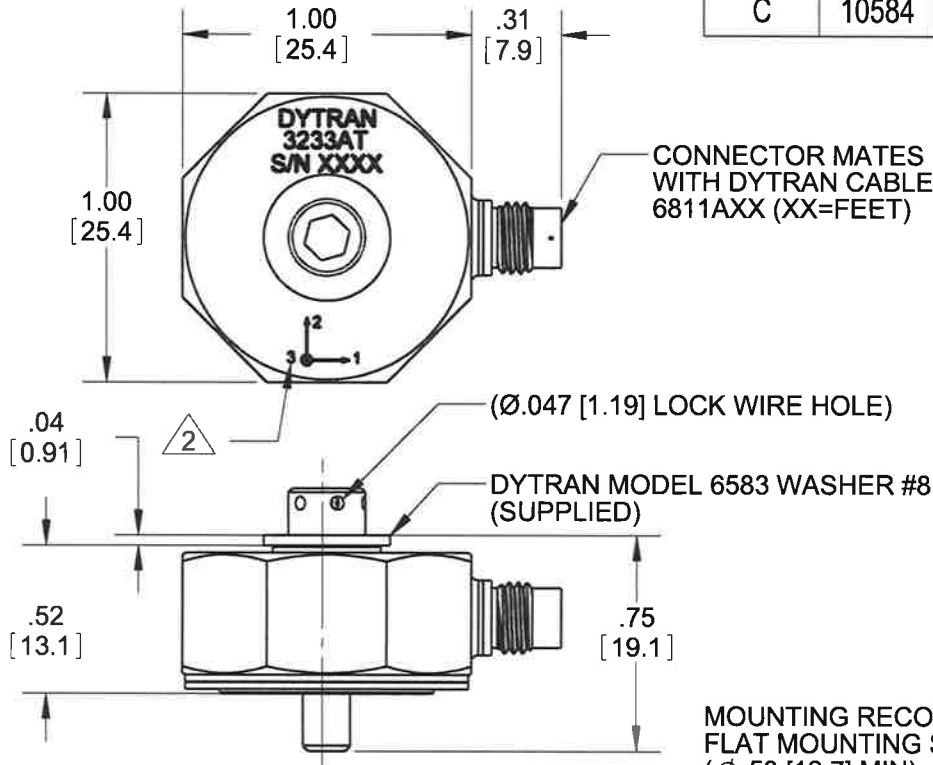


PROPRIETARY AND CONFIDENTIAL

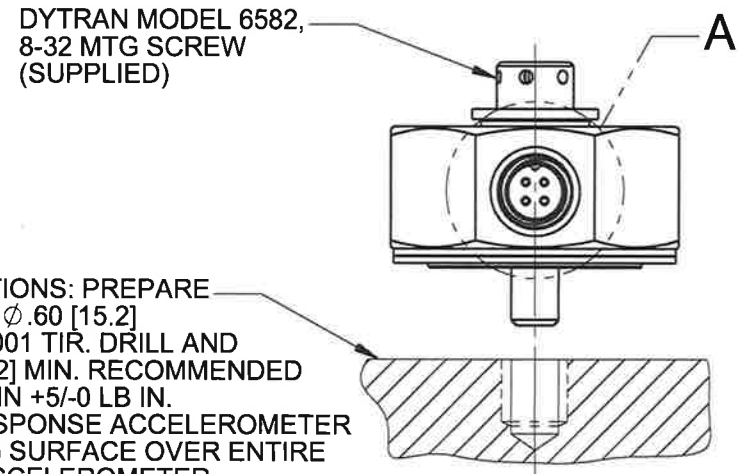
THE INFORMATION CONTAINED IN THIS DRAWING IS THE SOLE PROPERTY OF DYTRAN INSTRUMENTS INC. ANY REPRODUCTION IN PART OR AS A WHOLE WITHOUT THE WRITTEN PERMISSION OF DYTRAN INSTRUMENTS INC. IS PROHIBITED

REVISIONS

REV	ECN	DESCRIPTION	BY/DATE	CHK	APPR
B	7293	SEE ECN	RA, 02/10/11	EP	ANS
C	10584	SEE ECN	RA, 11/26/13	MH	



DETAIL A



MOUNTING RECOMMENDATIONS: PREPARE FLAT MOUNTING SURFACE Ø.60 [15.2] (Ø.50 [12.7] MIN), FLAT TO .001 TIR. DRILL AND TAP 8-32 UNC-2B ∇.300 [7.62] MIN. RECOMMENDED MOUNTING TORQUE: 15 LB IN +5/-0 LB IN. FOR BEST FREQUENCY RESPONSE ACCELEROMETER MUST CONTACT MOUNTING SURFACE OVER ENTIRE MOUNTING SURFACE OF ACCELEROMETER

3. WEIGHT: 30 GRAMS.

△ ARROWS INDICATE AXIS AND DIRECTION OF INPUT ACCELERATION FOR POSITIVE OUTPUT SIGNAL.

1. MATERIAL: TITANIUM ALLOY

NOTES: UNLESS OTHERWISE SPECIFIED

UNLESS OTHERWISE SPECIFIED: INTERPRET DIM & TOL PER ASME Y14.5M - 1994. REMOVE BURRS. COUNTERSINK INTERNAL THDS 90° TO MAJOR DIA. CHAM EXT THDS 45° TO MINOR DIA. THD LENGTHS AND DEPTHS ARE FOR MIN FULL THDS. THDS PER MIL-S-7742. DIMENSIONS APPLY AFTER FINISHING.		UNLESS OTHERWISE SPECIFIED: DIMENSIONS ARE IN INCHES. DIMENSIONS IN BRACKETS [] ARE IN MILLIMETERS TOLERANCES ARE: INCHES METRIC ANGLES .XX ± .03 .X ± 0.8 ± 1° .XXX ± .010 .XX ± 0.25	
USED ON	NEXT ASSY	MATERIAL	FINISH
APPLICATION		DO NOT SCALE DRAWING	
THIRD ANGLE PROJECTION USA			
ALL MACHINED SURFACES. TOTAL RUNOUT WITHIN .005. BREAK SHARP EDGES .005 TO .010. MACHINED FILLET RADII .005 TO .015. WELDING SYMBOLS PER AWS A2.4. ABBREVIATIONS PER MIL-STD-12.			

CONTRACT NO.		APPROVALS		DATE
ORIG	JS			02/08/10
CHK	RA			02/22/10
APP	DV			02/15/10
APP				

DYTRAN INSTRUMENTS, INC. MASTER COPY CHATSWORTH, CA

TITLE: **OUTLINE/INSTALLATION DRAWING, 3233AT**

SIZE	CAGE CODE	DWG. NO.	REV
A	2W033	127-3233AT	C

SCALE: NONE SOLIDWORKS SHEET 1 OF 1

MODEL NUMBER 3233AT	PERFORMANCE SPECIFICATION	DOC NO. PS3233AT
--------------------------------------	----------------------------------	-----------------------------------

	ACCELEROMETER, TRIAXIAL, IEPE	REV E, ECN 15507, 01/10/20
--	--------------------------------------	----------------------------



- TEDS CAPABILITY
- HERMETICALLY SEALED
- BASE ISOLATED
- 8-32 MOUNTING PROVISION

PHYSICAL
 Weight, Max
 Mounting
 Connector Type [1]
 Material, Case/ Connector

ENGLISH		SI	
	1.05	oz	30
	8-32 Screw		8-32 Screw
	4-Pin		4-Pin
	Titanium Alloy		Titanium Alloy

PERFORMANCE
 Sensitivity, (±10%) [2]
 Range, Full Scale (Each Axis)
 Frequency Range Axis 1 & 2, (±10%)
 Frequency Range Axis 3, (±10%)
 Element Natural Frequency
 Equivalent Electrical Noise
 Spectral Noise
 Linearity [3]
 Transverse Sensitivity, Max

	1000	mV/g	102	mV/ m/s ²
	5	± g pk	49.1	± m/s ² pk
	0.3 to 3000	Hz	0.3 to 3000	Hz
	0.3 to 6000	Hz	0.3 to 6000	Hz
	>20	kHz	>20	kHz
	0.00008	g rms	0.0008	m/s ² rms
1Hz	12	µg rms/√(Hz)	118	µm/s ² rms/√(Hz)
10Hz	4	µg rms/√(Hz)	39	µm/s ² rms/√(Hz)
100Hz	1.2	µg rms/√(Hz)	12	µm/s ² rms/√(Hz)
1000Hz	0.5	µg rms/√(Hz)	5	µm/s ² rms/√(Hz)
	±1	% F.S.	±1	% F.S.
	5	%	5	%

ENVIRONMENTAL
 Vibration Max
 Shock Max
 Temperature Range (<3% Deviation)
 Operating Temperature
 Storage Temperature
 TEDS Operating Temperature
 Seal

	500	± g pk	4905	± m/s ² pk
	5000	± g pk	49050	± m/s ² pk
	+50 to +100	°F	+10 to +38	°C
	-60 to +200	°F	-51 to +93	°C
	-60 to +250	°F	-51 to +121	°C
	-40 to +185	°F	-40 to +85	°C
	Hermetic		Hermetic	

ELECTRICAL
 Supply Current Range [4]
 Compliance Voltage Range (Each Axis)
 Output Impedance, Typ.
 Output Bias Voltage
 Discharge Time Constant
 Ground Isolation, Min. [5]
 TEDS Feature

	2 to 20	mA	2 to 20	mA
	+18 to +30	VDC	+18 to +30	VDC
	100	Ω	100	Ω
	+11 to +13	VDC	+11 to +13	VDC
	0.9 to 2.0	Sec	0.9 to 2.0	Sec
	10	MΩ	10	MΩ
	IEEE 1451.4		IEEE 1451.4	

This family also includes:

Model	Sensitivity (mV/g)	Range (Gpeak)	Resolution (Grms)	Oper. Temp (°F)	TC

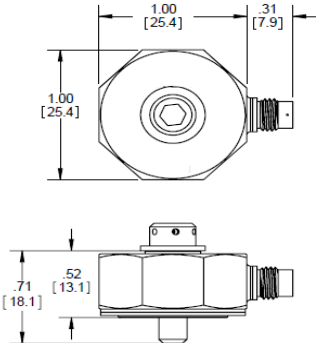
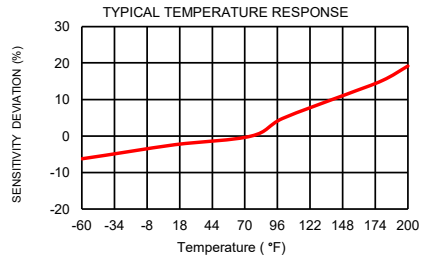
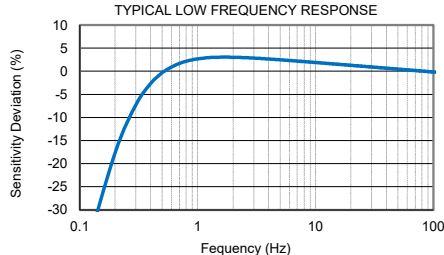
Refer to the performance specifications of the products in this family for detailed description.

Supplied Accessories:

- 1) Accredited Calibration Certificate (ISO 17025)
- 2) Washer 6583 and Mounting Screw 6582

Notes:

- [1] Connector mates with Dytran Cable Assy, Model 6811AXX. (XX = Length in Feet)
- [2] Measured At 100 Hz, 1 Grms per ISA RP 37.2
- [3] Measured using zero-based best straight-line method, % of F.S. or any lesser range.
- [4] Do not apply power to this device without current limiting, 20mA Max, To do so will destroy the integral IC amplifier
- [5] Case grounded to signal ground. Case isolated from mounting surface
- [6] In the interest of constant product improvement, we reserve the rights to change the specifications without notice. It is the customer's responsibility to validate that a particular product with the properties described in the product specification is suitable for use in a particular application. Parameters provided in datasheets and / or specifications may vary in different applications and performance may vary overtime. All operating parameters, including typical parameters, must be validated for each customer application by the customer's technical experts.



Units on the line drawing are in inches, units in brackets are in millimeters. Refer to 127-3233AT for more information.



21592 Marilla Street, Chatsworth, California 91311 Phone: 818.700.7818 Fax: 818.700.7880 www.dytran.com For permission to reprint this content, please contact info@dytran.com