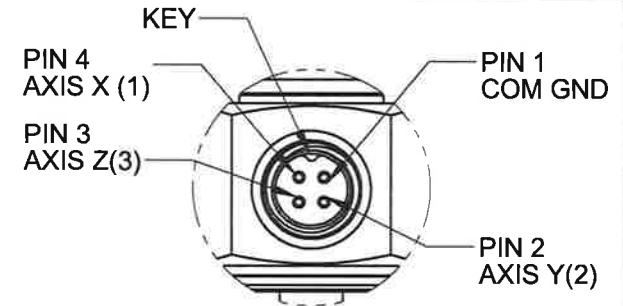
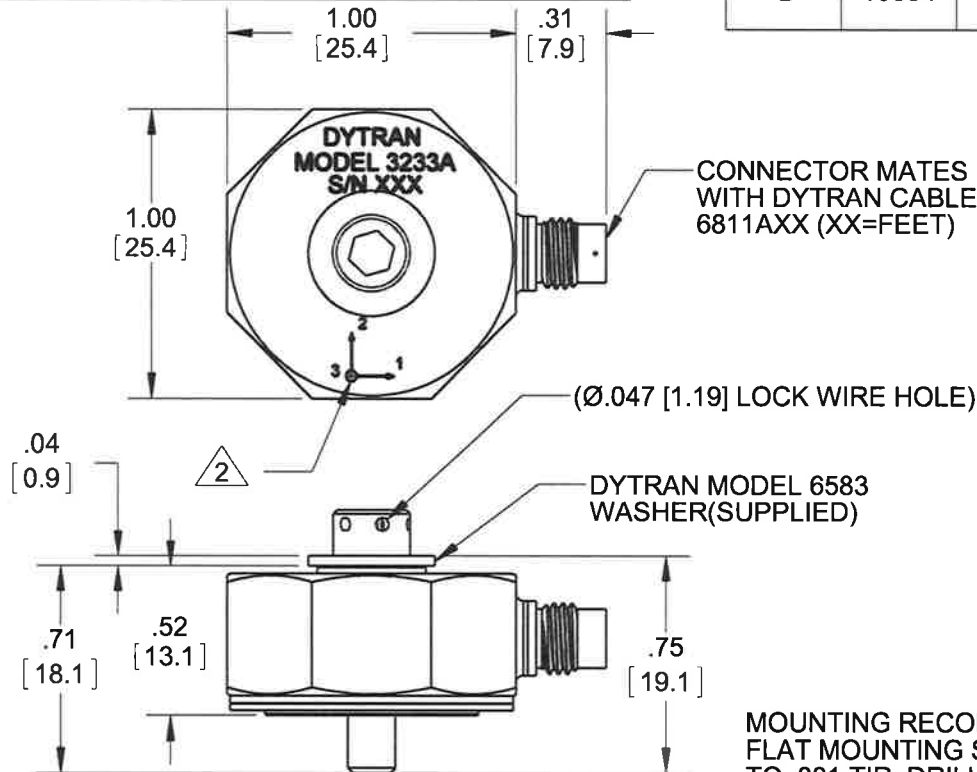


PROPRIETARY AND CONFIDENTIAL

THE INFORMATION CONTAINED IN THIS DRAWING IS THE SOLE PROPERTY OF DYTRAN INSTRUMENTS INC. ANY REPRODUCTION IN PART OR AS A WHOLE WITHOUT THE WRITTEN PERMISSION OF DYTRAN INSTRUMENTS INC. IS PROHIBITED

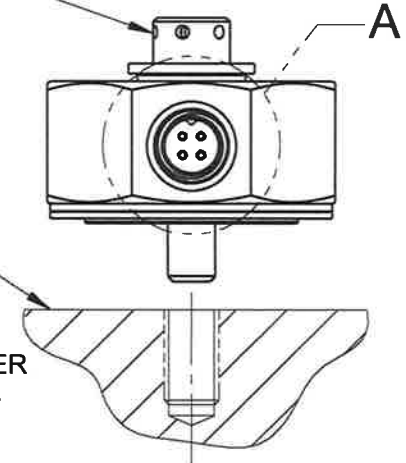
REVISIONS

REV	ECN	DESCRIPTION	BY/DATE	CHK	APPR
B	10584	SEE ECN	RA 11/26/13	MH	<i>[Signature]</i>



**DETAIL A
SCALE 2:1**

DYTRAN MODEL 6582
8-32 MTG SCREW
(SUPPLIED)



3. WEIGHT: 30 GRAMS MAX

2 ARROWS INDICATE DIRECTION OF ACCELERATION FOR POSITIVE OUTPUT.

1. MATERIAL: TITANIUM ALLOY

NOTES: UNLESS OTHERWISE SPECIFIED

MOUNTING RECOMMENDATIONS: PREPARE FLAT MOUNTING SURFACE Ø.80 [20.3], FLAT TO .001 TIR. DRILL AND TAP 8-32 UNF-3B ∇.300 [7.62] MIN. RECOMMENDED MOUNTING TORQUE: 15 LB IN +5/-0 LB IN. FOR BEST FREQUENCY RESPONSE ACCELEROMETER MUST CONTACT MOUNTING SURFACE OVER ENTIRE MOUNTING SURFACE OF ACCELEROMETER

CONTRACT NO.



TITLE:

**OUTLINE/INSTALLATION
DRAWING MODEL 3233A**

APPROVALS		DATE
ORIG	PML	10/25/03
CHK	MH	11/27/13
APP	PML	06/22/04
APP		

SIZE	CAGE CODE	DWG. NO.	REV
A	2W033	127-3233A	B

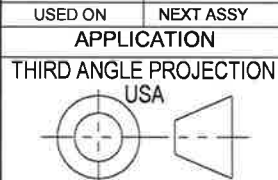
SCALE: NONE SOLIDWORKS SHEET 1 OF 1

UNLESS OTHERWISE SPECIFIED:
INTERPRET DIM & TOL PER ASME Y14.5M - 1994.
REMOVE BURRS.
COUNTERSINK INTERNAL THDS 90° TO MAJOR DIA.
CHAM EXT THDS 45° TO MINOR DIA.
THD LENGTHS AND DEPTHS ARE FOR MIN FULL THDS.
THDS PER MIL-S-7742.
DIMENSIONS APPLY AFTER FINISHING.

UNLESS OTHERWISE SPECIFIED:
DIMENSIONS ARE IN INCHES.
DIMENSIONS IN BRACKETS [] ARE IN MILLIMETERS
TOLERANCES ARE:
INCHES METRIC ANGLES
XX ± .03 X ± 0.8 ± 1°
XXX ± .010 .XX ± 0.25

MATERIAL
FINISH
DO NOT SCALE DRAWING

ALL MACHINED SURFACES. 63
TOTAL RUNOUT WITHIN .005.
BREAK SHARP EDGES .005 TO .010.
MACHINED FILLET RADII .005 TO .015.
WELDING SYMBOLS PER AWS A2.4.
ABBREVIATIONS PER MIL-STD-12.



MODEL NUMBER
3233A

PERFORMANCE SPECIFICATION

DOC NO.
PS3233A

ACCELEROMETER, TRIAXIAL, IEPE

REV F, ECN 15507, 01/10/20



- HERMETICALLY SEALED
- BASE ISOLATED
- 8-32 MOUNTING PROVISION

PHYSICAL

Weight, Max
Mounting
Connector Type [1]
Material, Case/ Connector

ENGLISH		SI	
1.05	oz	30	grams
8-32 Screw		8-32 Screw	
4-Pin		4-Pin	
Titanium Alloy		Titanium Alloy	

PERFORMANCE

Sensitivity, (±10%) [2]
Range, Full Scale (Each Axis)
Frequency Range Axis 1 & 2, (±10%)
Frequency Range Axis 3, (±10%)
Element Natural Frequency
Equivalent Electrical Noise
Spectral Noise
Linearity [3]
Transverse Sensitivity, Max

	ENGLISH		SI	
1000	mV/g	102	mV/ m/s ²	
5	± g pk	49.1	± m/s ² pk	
0.3 to 3000	Hz	0.3 to 3000	Hz	
0.3 to 6000	Hz	0.3 to 6000	Hz	
>20	kHz	>20	kHz	
0.00008	g rms	0.00078	m/s ² rms	
12	µg rms / √(Hz)	118	µm/s ² rms / √(Hz)	
4	µg rms / √(Hz)	39	µm/s ² rms / √(Hz)	
1.2	µg rms / √(Hz)	12	µm/s ² rms / √(Hz)	
0.5	µg rms / √(Hz)	5	µm/s ² rms / √(Hz)	
1	% F.S.	1	% F.S.	
5	%	5	%	

ENVIRONMENTAL

Vibration Max
Shock Max
Operating Temperature
Seal

	ENGLISH		SI	
500	± g pk	4905	± m/s ² pk	
5000	± g pk	49050	± m/s ² pk	
-60 to +200	°F	-51 to +93	°C	
Hermetic		Hermetic		

ELECTRICAL

Supply Current Range [4]
Compliance Voltage Range (Each Axis)
Output Impedance, Typ.
Output Bias Voltage
Discharge Time Constant
Ground Isolation, Min. [5]

	ENGLISH		SI	
2 to 20	mA	2 to 20	mA	
+18 to +30	VDC	+18 to +30	VDC	
100	Ω	100	Ω	
+11 to +13	VDC	+11 to +13	VDC	
0.9 to 2.0	Sec	0.9 to 2.0	Sec	
10	MΩ	10	MΩ	

This family also includes:

Model	Sensitivity (mV/g)	Range (Gpeak)	Resolution (Grms)	Oper. Temp (°F)	TC

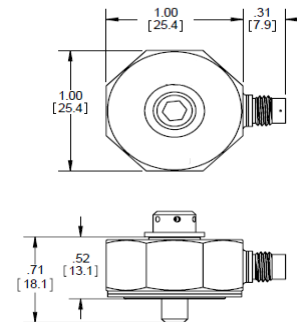
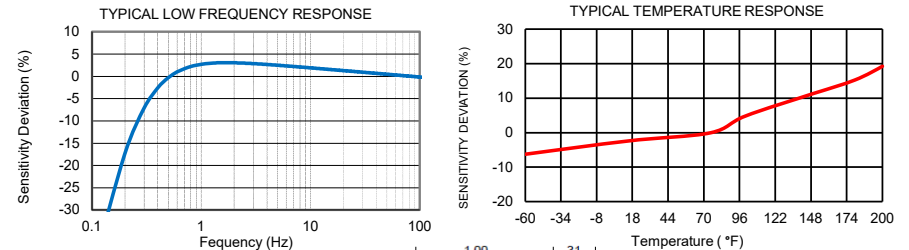
Refer to the performance specifications of the products in this family for detailed description.

Supplied Accessories:

- 1) Accredited Calibration Certificate (ISO 17025)
- 2) Washer 6583 and Mounting Screw 6582

Notes:

- [1] Connector mates with Dytran Cable Assy. Model 6811AXX. (XX = Length in Feet)
- [2] Measured At 100 Hz, 1 Grms per ISA RP 37.2
- [3] Measured using zero-based best straight-line method, % of F.S. or any lesser range.
- [4] Do not apply power to this device without current limiting, 20mA Max, To do so will destroy the integral IC amplifier
- [5] Case grounded to signal ground. Case isolated from mounting surface
- [6] In the interest of constant product improvement, we reserve the rights to change the specifications without notice. It is the customer's responsibility to validate that a particular product with the properties described in the product specification is suitable for use in a particular application. Parameters provided in datasheets and / or specifications may vary in different applications and performance may vary overtime. All operating parameters, including typical parameters, must be validated for each customer application by the customer's technical experts.



Units on the line drawing are in inches, units in brackets are in millimeters. Refer to 127-3233A for more information.



21592 Marilla Street, Chatsworth, California 91311 Phone: 818.700.7818 Fax:818.700.7880 www.dytran.com For permission to reprint this content, please contact info@dytran.com