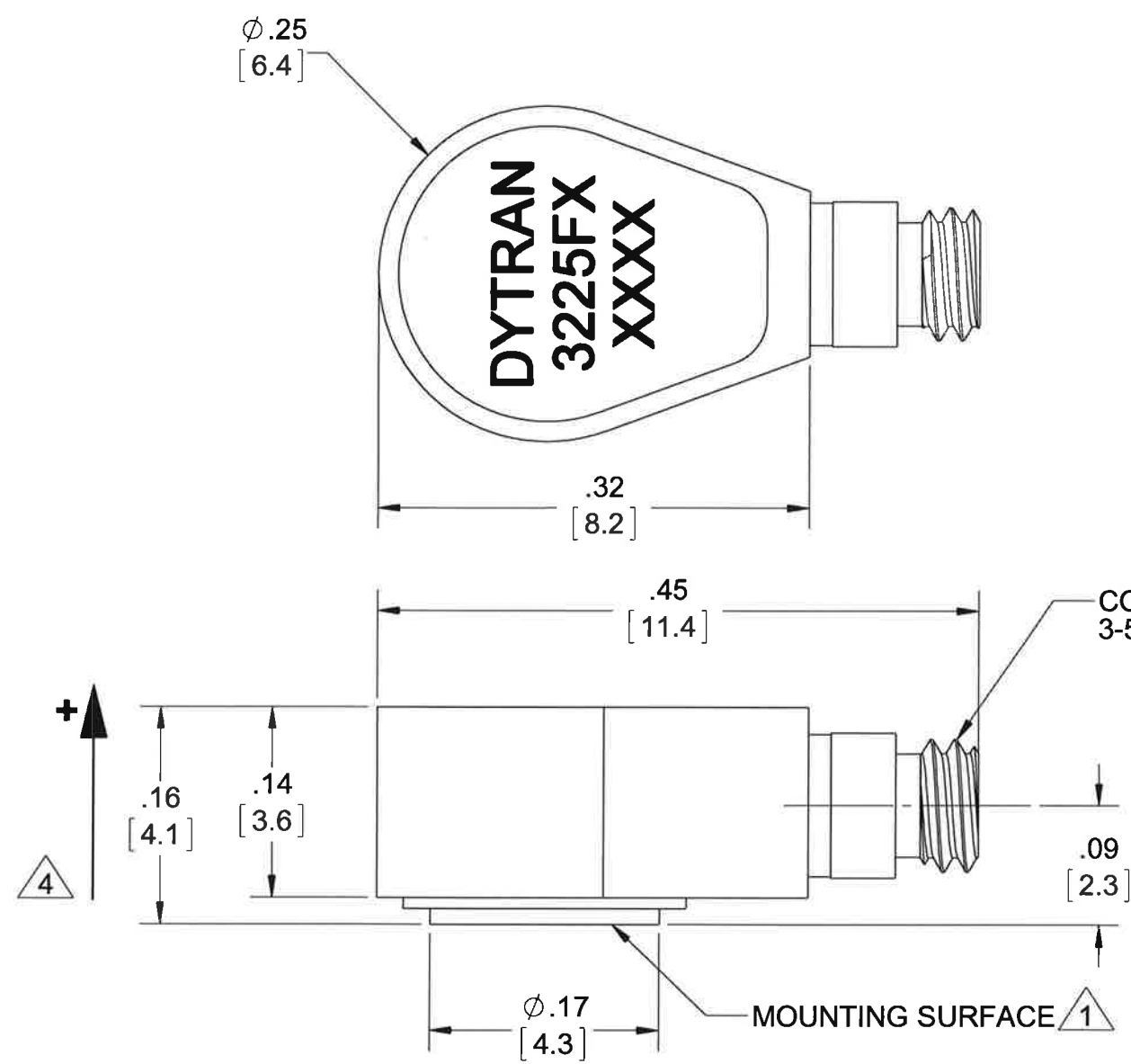


PROPRIETARY AND CONFIDENTIAL

THE INFORMATION CONTAINED IN THIS DRAWING IS THE SOLE PROPERTY OF DYTRAN INSTRUMENTS INC. ANY REPRODUCTION IN PART OR AS A WHOLE WITHOUT THE WRITTEN PERMISSION OF DYTRAN INSTRUMENTS INC. IS PROHIBITED

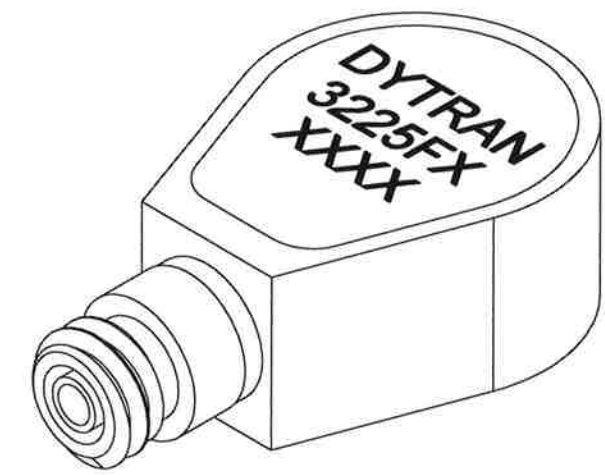
REVISIONS

REV.	ECN	DESCRIPTION	BY/DATE	CHK	APPR
A	11357	INITIAL RELEASE	JS 10/01/14	EM	[Signature]



CONNECTOR, COAXIAL
3-56 UNF-2A

MOUNTING SURFACE 1



MODEL NO.	REV	ECN	DATE	SENSITIVITY
3225F4	A	11357	09/11/14	1 mV/g
3225F5	A	11357	09/11/14	10 mV/g
3225F6	A	11357	09/11/14	5 mV/g

5. LOW OUT-GASSING

4 ARROW INDICATES DIRECTION OF ACCELERATION FOR POSITIVE OUTPUT

3. CASE AND CONNECTOR MATERIAL: TITANIUM.

2. WEIGHT: 0.6 GRAMS MAX.

1 RECOMMENDED MOUNTING ADHESIVE: CYANOACRYLATE OR DYTRAN MOUNTING WAX MODEL 6273

NOTES: UNLESS OTHERWISE SPECIFIED

UNLESS OTHERWISE SPECIFIED:
 INTERPRET DIM & TOL PER ASME Y14.5M - 1994.
 REMOVE BURRS.
 COUNTERSINK INTERNAL THDS 90° TO MAJOR DIA.
 CHAM EXT THDS 45° TO MINOR DIA.
 THD LENGTHS AND DEPTHS ARE FOR MIN FULL THDS.
 DIMENSIONS APPLY AFTER FINISHING.

ALL MACHINED SURFACES. ^{63/}
 TOTAL RUNOUT WITHIN .005.
 BREAK SHARP EDGES .005 TO .010.
 MACHINED FILLET RADII .005 TO .015.
 WELDING SYMBOLS PER AWS A2.4.
 ABBREVIATIONS PER MIL-STD-12.

UNLESS OTHERWISE SPECIFIED:
 DIMENSIONS ARE IN INCHES.
 DIMENSIONS IN BRACKETS [] ARE IN MILLIMETERS TOLERANCES ARE:

DECIMALS	METRIC	ANGLES
.XX ±.03	.X ± 0.8	± 1°
.XXX ±.010	.XX ± 0.25	

APPROVALS DATE

ORIG	EC	09/03/14
CHK	EM	10/3/14
APP	[Signature]	10/3/14

DO NOT SCALE DRAWING

THIRD ANGLE PROJECTION

MASTER
 ONLY IF IN RED
 DYTRAN INSTRUMENTS, INC. Chatsworth, CA

TITLE:
**OUTLINE/INSTALLATION
 DRAWING, MODEL 3225F4**

SIZE B	CAGE CODE 2W033	DWG NO 127-3225F4	REV A
------------------	---------------------------	-----------------------------	-----------------

SCALE: 8:1 SHEET 1 OF 1

MODEL NUMBER 3225F5	PERFORMANCE SPECIFICATION	DOC NO. PS3225F5
	ACCELEROMETER, IEPE	REV D, ECN 13008, 10/26/16



- MINIATURE SIZE
- 3-56 CONNECTOR
- LOW OUT-GASSING

PHYSICAL

Weight, Max		0.02	oz	0.60	grams
Mounting Provision		[1]		[1]	
Connector [2]	Radially Mounted	3-56		3-56	
Case Material		Titanium		Titanium	
Sensing Element	Material	Quartz		Quartz	
	Mode	Shear		Shear	

ENGLISH		SI	
0.02	oz	0.60	grams
[1]		[1]	
3-56		3-56	
Titanium		Titanium	
Quartz		Quartz	
Shear		Shear	

PERFORMANCE

Sensitivity, ± 10% [3]		10	mV/g	1.02	mV/m/s ²
Range F.S For ± 5 Volts Out		± 500	g's	± 4905	m/s ²
Frequency Response, +/- 5%		1.4 to 5000	Hz	1.4 to 5000	Hz
+/-10%		1.0 to 10000	Hz	1.0 to 10000	Hz
Mounted Resonant Frequency		> 60	kHz	> 60	kHz
Amplitude Non-Linearity [4]		1	% F.S	1	% F.S
Transverse Sensitivity, Max		5	%	5	%
Noise Resolution		0.007	grms	0.07	m/s ² rms
Strain Sensitivity @250/μe		0.0005	g/μe	0.0049	m/s ² /μe
Spectral Noise	1Hz	460	μGrms/sqr(Hz)	4513	μGrms/s ² rms/sqr(Hz)
	10 Hz	700	μGrms/sqr(Hz)	6867	μGrms/s ² rms/sqr(Hz)
	100 Hz	140	μGrms/sqr(Hz)	1373	μGrms/s ² rms/sqr(Hz)
	1000 Hz	69	μGrms/sqr(Hz)	677	μGrms/s ² rms/sqr(Hz)
	10000 Hz	42	μGrms/sqr(Hz)	412	μGrms/s ² rms/sqr(Hz)

10	mV/g	1.02	mV/m/s ²
± 500	g's	± 4905	m/s ²
1.4 to 5000	Hz	1.4 to 5000	Hz
1.0 to 10000	Hz	1.0 to 10000	Hz
> 60	kHz	> 60	kHz
1	% F.S	1	% F.S
5	%	5	%
0.007	grms	0.07	m/s ² rms
0.0005	g/μe	0.0049	m/s ² /μe
460	μGrms/sqr(Hz)	4513	μGrms/s ² rms/sqr(Hz)
700	μGrms/sqr(Hz)	6867	μGrms/s ² rms/sqr(Hz)
140	μGrms/sqr(Hz)	1373	μGrms/s ² rms/sqr(Hz)
69	μGrms/sqr(Hz)	677	μGrms/s ² rms/sqr(Hz)
42	μGrms/sqr(Hz)	412	μGrms/s ² rms/sqr(Hz)

ENVIRONMENTAL

Maximum Vibration		600	Grms	5886	m/s ² rms
Maximum Shock		1000	Gpeak	9810	m/s ² peak
Temperature Range		-60 to +250	°F	-51 to +121	°C
Magnetic Sensitivity at 100 Gauss		0.00005	g/Gauss	0.00049	m/s ² /Gauss
Environmental Seal		Hermetic		Hermetic	

600	Grms	5886	m/s ² rms
1000	Gpeak	9810	m/s ² peak
-60 to +250	°F	-51 to +121	°C
0.00005	g/Gauss	0.00049	m/s ² /Gauss
Hermetic		Hermetic	

ELECTRICAL

Supply Current/Compliance Voltage Range [5]		2 to 20/+18 to +30	mA/Volts	2 to 20/+18 to +30	mA/Volts
Output Impedance, TYP		100	Ω	100	Ω
Bias Voltage		+7 to +9	VDC	+7 to +9	VDC
Discharge Time Constant		0.35 to 1.0	Sec	0.35 to 1.0	Sec

2 to 20/+18 to +30	mA/Volts	2 to 20/+18 to +30	mA/Volts
100	Ω	100	Ω
+7 to +9	VDC	+7 to +9	VDC
0.35 to 1.0	Sec	0.35 to 1.0	Sec

This family also includes:

Model	Sensitivity (mV/g)	Range (g's)	Resolution (Grms)	Oper. Temp (°F)	TC
3225F4	1	5000	0.07	-60 to +250	0.35 to 1.0
3225F6	5	1000	0.014	-60 to +250	0.35 to 1.0

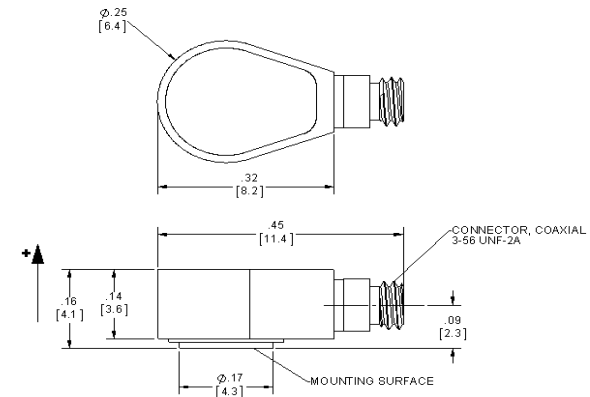
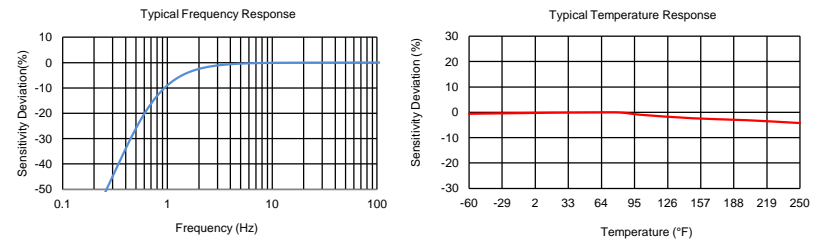
Refer to the performance specifications of the products in this family for detailed description.

Supplied Accessories

- 1) Model 6591A installation wrench
- 2) Model 6298 small petro mounting wax
- 3) Accredited calibration certificate (ISO 17025)

Notes:

- [1] Flat mounting surface for adhesive mount.
- [2] Mates with Dytran cable 6003AXX or 6003BXX (XX is cable length in feet)
- [3] Measured at 100 Hz, 1 grms per ISA RP 37.2.
- [4] Percent of full scale or any lesser range, zero based best-fit straight line method.
- [5] Do not apply power to this device without current limiting, 20mA max, to do so will destroy the integral IC amplifier
- [6] In the interest of constant product improvement, we reserve the right to change specifications without notice.



Units on the line drawing are in inches, units in brackets are in millimeters. Refer to 127-3225F4 for more information.



21592 Marilla Street, Chatsworth, California 91311 Phone: 818.700.7818 Fax: 818.700.7880 www.dytran.com For permission to reprint this content, please contact info@dytran.com