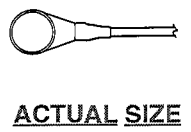
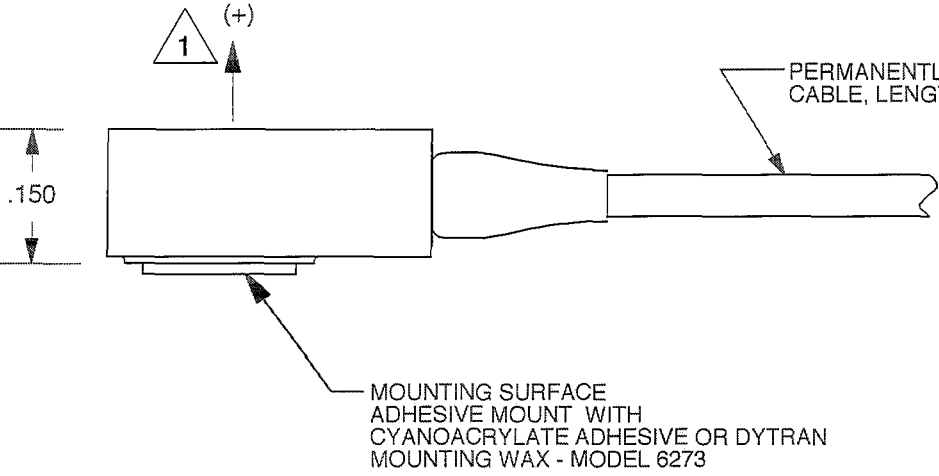
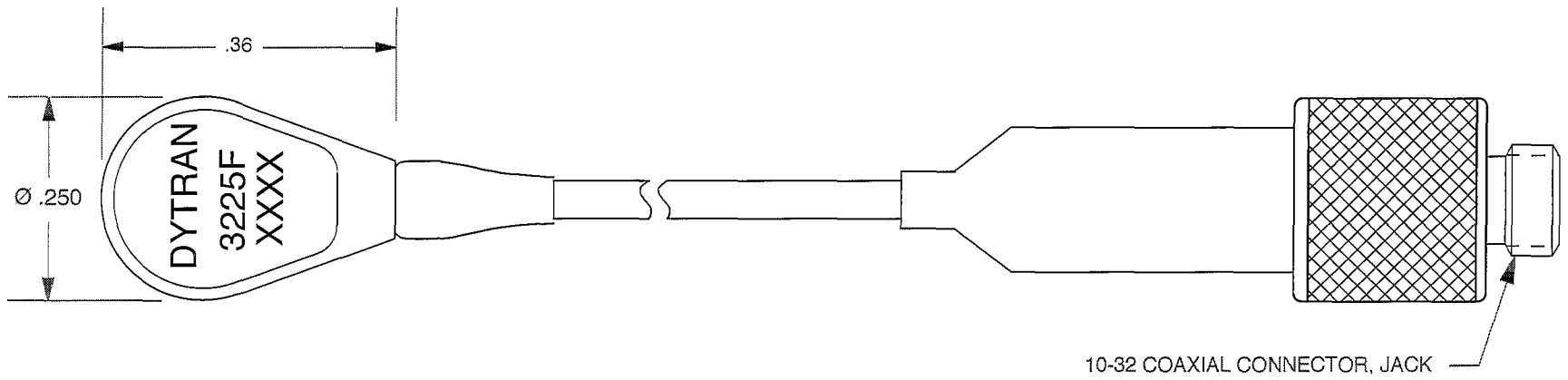


REV	ECN	DESCRIPTION	BY/DATE	CHK	APPR
C	6001	SEE ECN	RLA 7/08/09	EP	DV
D	9989	UPDATED VIEW OF CONNECTOR	AB 06/03/13	1/1	DV



3. CASE AND CONNECTOR MATERIAL: TITANIUM.
  2. WEIGHT LESS CABLE: 0.6 GRAMS.
- 1 ARROW INDICATES SENSE AND DIRECTION OF INPUT ACCELERATION FOR POSITIVE GOING OUTPUT SIGNAL.

**EXCEPT AS OTHERWISE NOTED**

ALL DIMENSIONS IN INCHES  
TOLERANCE: .XXX = ± .XX = ±

SURFACE FINISH EXCEPT AS NOTED ✓

BREAK EDGES TO DEBURR RADIUS OR CHAMFER

THESE DIAS ⊙ TO T.I.R.

FILLETS - MAX RAD.

<b>DYTRAN</b> INSTRUMENTS, INC.		<b>MASTER ONLY IF IN RED</b>		CHATSWORTH, CA.	
SCALE	5X	REV	-	DATE	SEE REV BLK
DATE	10/2/01	PART NO.		ECN	-
DRAWN	N.C.	CHECKED	K.S.	MAT'L	
APPROVED	PML	8/08/06	NEXT ASSEMBLY	USED ON	
TITLE				DWG NO.	
<b>OUTLINE/INSTALLATION DRAWING, MODEL 3225F</b>				<b>127-3225F</b>	
				SHEET 1 OF 1	

<b>MODEL NUMBER</b> <b>3225F</b>	<b>PERFORMANCE SPECIFICATION</b>	<b>DOC NO.</b> <b>PS3225F</b>
<b>ACCELEROMETER, IEPE</b>		REV A, ECN 13321, 03/16/17



- MINIATURE SIZE
- 3-FOOT INTEGRAL CABLE

**PHYSICAL**

	ENGLISH		SI	
Weight	0.02	oz	0.6	grams
Mounting Provision	[1]		[1]	
Connector, Coaxial	10-32 Jack		10-32 Jack	
Cable Length, Fixed	36	Inches	914	mm
Case Material	Titanium		Titanium	
Sensing Element	Quartz		Quartz	
Material Mode	Shear		Shear	

**PERFORMANCE**

Sensitivity, ± 10% [2]	10	mV/g	1.0	mV/m/s <sup>2</sup>
Range F.S For ± 5 Volts Out	± 500	g's	± 4905	m/s <sup>2</sup>
Frequency Response, +/- 10%	1.6 to 10,000	Hz	1.6 to 10,000	Hz
Mounted Resonant Frequency	> 60	kHz	> 60	kHz
Amplitude Non-Linearity [3]	2	% F.S	2	% F.S
Transverse Sensitivity, Max	5	%	5	%
Noise Resolution	0.007	grms	0.07	m/s <sup>2</sup> rms
Strain Sensitivity @250/με	0.0005	g/με	0.00	m/s <sup>2</sup> /με

**ENVIRONMENTAL**

Maximum Vibration	400	Grms	3924	m/s <sup>2</sup> rms
Maximum Shock	5000	Gpeak	49050	m/s <sup>2</sup> peak
Temperature Range	-60 to +250	°F	-51 to +121	°C
Thermal Coefficient of Sensitivity	0.03	%/°F	0.054	%/°C
Environmental Seal	Epoxy		Epoxy	

**ELECTRICAL**

Supply Current [4]	2 to 20	mA	2 to 20	mA
Compliance Voltage	+18 to +30	Volts	+18 to +30	Volts
Output Impedance, TYP	100	Ω	100	Ω
Bias Voltage	+7 to +10	VDC	+7 to +10	VDC
Discharge Time Constant	0.3 to 0.8	Sec	0.3 to 0.8	Sec

**This family also includes:**

Model	Sensitivity (mV/g)	Range (g's)	Resolution (Grms)	Oper. Temp(°F)	TC

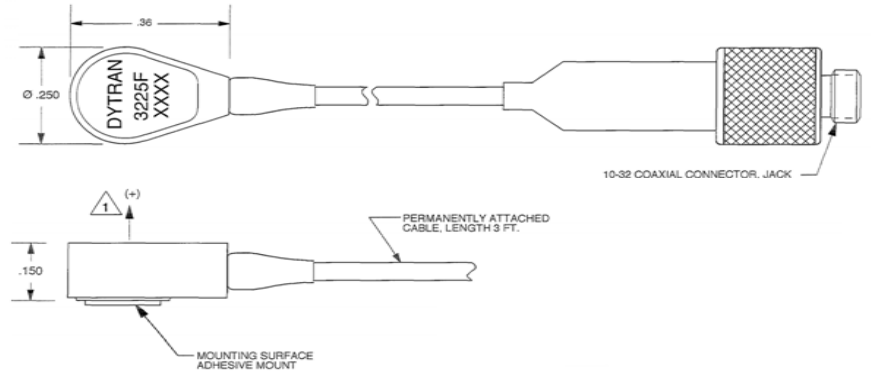
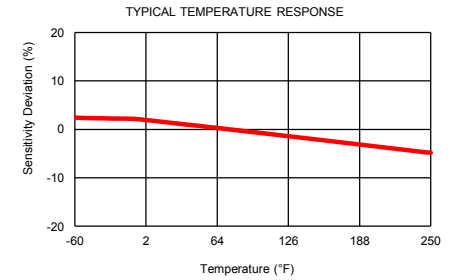
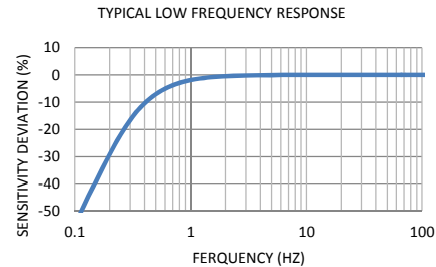
Refer to the performance specifications of the products in this family for detailed description.

**Supplied Accessories**

- 1) Model 6591A installation and removal wrench
- 2) Model 6298 small petro mounting wax
- 3) Accredited calibration certificate (ISO 17025)

**Notes:**

- [1] Flat mounting surface for adhesive mount.
- [2] Measured at 100 Hz, 1 grms per ISA RP37.2.
- [3] Percent of full scale or any lesser range, zero based best-fit straight line method.
- [4] Do not apply power to this device without current limiting, 20mA max, to do so will destroy the integral IC amplifier
- [5] In the interest of constant product improvement, we reserve the right to change specifications without notice.



Units on the line drawing are in inches, units in brackets are in millimeters. Refer to 127-3225F for more information.



21592 Marilla Street, Chatsworth, California 91311 Phone: 818.700.7818 Fax: 818.700.7880  
www.dytran.com For permission to reprint this content, please contact info@dytran.com