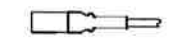
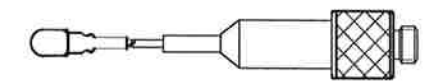
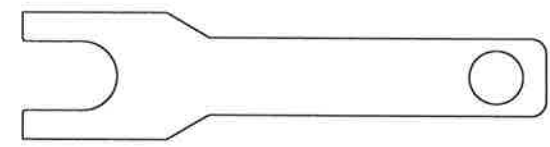
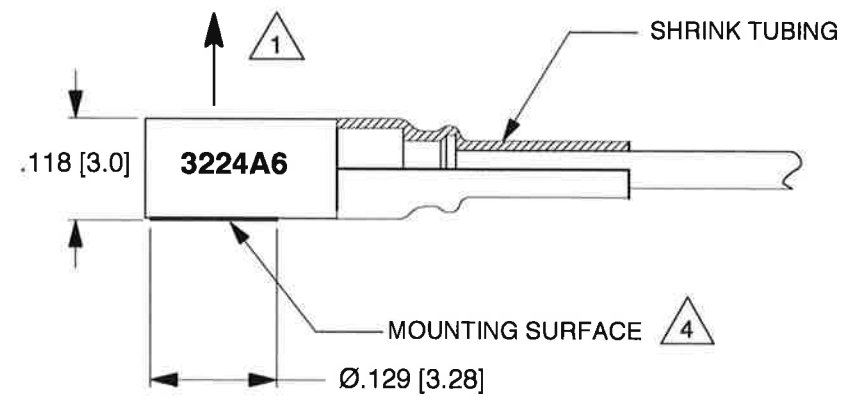
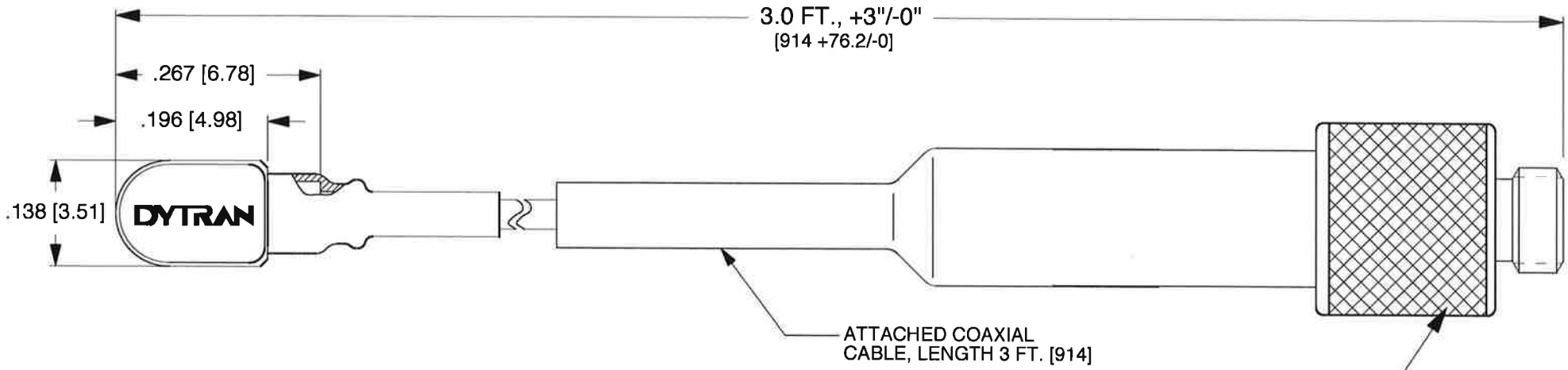


REV	ECN	DESCRIPTION	BY/DATE	CHK	APPR
A	11380	INITIAL RELEASE	JS 10/14/14	<i>JV</i>	<i>RT</i>



- △ 4 APPLY ADHESIVE TO THIS SURFACE TO MOUNT.
- 3. CASE AND CONNECTOR MATERIAL: TITANIUM.
- 2. WEIGHT LESS CABLE: 0.2 GRAMS.
- △ 1 ARROW INDICATES SENSE AND DIRECTION OF INPUT ACCELERATION FOR POSITIVE GOING OUTPUT SIGNAL.

UNLESS OTHERWISE SPECIFIED:  
DIMENSIONS ARE IN INCHES  
DIMENSIONS IN BRACKETS [ ] ARE IN MILLIMETERS.  
TOLERANCES ARE:

INCHES	METRIC	ANGLES
.XX ±.03	.X ±0.8	±1°
.XXX ±.005	.XX ±0.25	

**MASTER ONLY IF IN RED**

CHATSORTH, CA.

SCALE 5X	DESIGN N.C.	DATE 12/12/12		
DRAWN LN	DATE 09/17/14	PART NO. MODEL 3224A6		
CHECKED <i>JV</i>	DATE 10/22/14	MAT'L		REV A
APPROVED <i>RT</i>	DATE 10/22/14	NEXT ASSEMBLY	USED ON	
TITLE <b>OUTLINE/INSTALLATION DRAWING, MODEL 3224A6</b>			DWG NO. <b>127-3224A6</b>	
SHEET 1 OF 1				

<b>MODEL NUMBER</b> <b>3224A6</b>	<b>PERFORMANCE SPECIFICATION</b>	<b>DOC NO.</b> <b>PS3224A6</b>
--------------------------------------	----------------------------------	-----------------------------------

<b>IEPE ACCELEROMETER</b>		REV G, ECN 15474, 12/20/19
---------------------------	--	----------------------------



- MINIATURE SIZE
- EPOXY SEALED CABLE CONNECTION

**PHYSICAL**

	ENGLISH		SI	
Weight, Less Cable	0.007	oz	0.2	grams
Mounting Provision	[1]		[1]	
Connector [2]	Integral cable		Integral cable	
Case Material	Titanium		Titanium	
Sensing Element	Planar Shear Quartz		Planar Shear Quartz	

**PERFORMANCE**

	ENGLISH		SI	
Sensitivity, ±25% [3] [4]	0.2	mV/g	0.020	mV/ m/s <sup>2</sup>
Range F.S. For ± 5 Volts Output	20,000	g	196200	m/s <sup>2</sup>
Frequency Response, ±10%	1.2 to 20,000	Hz	1.2 to 20,000	Hz
Resonant Frequency	>95	kHz	>95	kHz
Equivalent Electrical Noise Floor	0.67	g rms	6.57	m/s <sup>2</sup> rms
Amplitude Non-Linearity [5]	± 1 %	%F.S	± 1 %	%F.S
Transverse Sensitivity, Max.	5%		5%	
Strain Sensitivity @250µε	0.14	g/µε	1.37	m/s <sup>2</sup> /µε

**ENVIRONMENTAL**

	ENGLISH		SI	
Maximum Vibration	25,000	grms	245000	m/s <sup>2</sup> rms
Maximum Shock	22,000	±gpk	215600	± m/s <sup>2</sup> pk
Temperature Range	-60 to +300	°F	-51 to 149	°C
Seal	Laser Welded, Epoxy sealed Cable		Laser Welded, Epoxy sealed Cable	
Magnetic Sensitivity at 100 Gauss	0.000009	g/Gauss	0.8829	m/s <sup>2</sup> /T

**ELECTRICAL**

	ENGLISH		SI	
Supply Current [6]	2 to 20	mA	2 to 20	mA
Compliance Voltage Range	18 to +30	V	18 to +30	V
Output Impedance TYP	100	Ω	100	Ω
Bias Voltage	+7 to +9	VDC	+7 to +9	VDC
Discharge Time Constant	2.0 to 4.0	sec	2.0 to 4.0	sec
Output Signal Polarity for Acceleration Toward Top	Positive		Positive	
Case Grounding	[7]		[7]	

**This family also includes:**

Model	Sensitivity (mV/g)	Range (Gpeak)	Resolution (Grms)	Oper. Temp(°F)	TC (sec)
3224A1	9 to 14	500	0.023	-60 to 300	0.9 to 1.5
3224A2	2 to 5	2500	0.03	-60 to 300	0.3 to 1.0
3224A3	5 to 10	1000	0.037	-60 to 300	1.1 to 1.5
3224A4	1 to 2.5	5000	0.08	-60 to 300	0.3 to 1.0
3224A5	9 to 14	500	0.023	-60 to 300	1.1 to 1.5

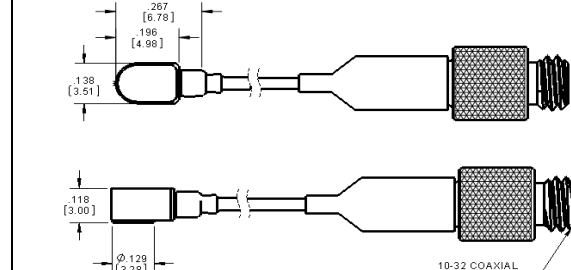
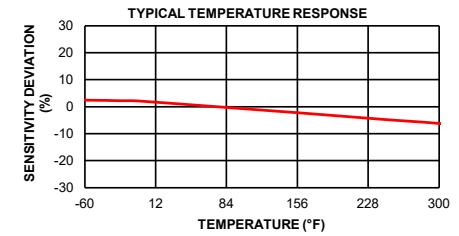
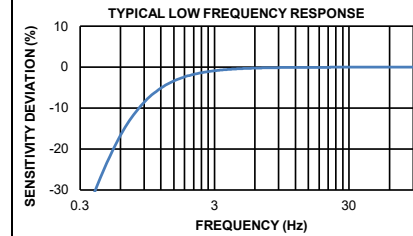
Refer to the performance specifications of the products in this family for detailed description.

**Supplied Accessories:**

- 1) Model 6725 installation removal wrench.
- 2) Sample of " Small Petro Mounting Wax".
- 3) Accredited calibration certificate (ISO 17025)

**Notes:**

- [1] Flat mounting surface for adhesive mount.
- [2] 10-32 Jack at end of integral 3FT.cable
- [3] Measured at 100 Hz, 1 g rms per ISA RP 37.2.
- [4] Actual sensitivity is given on a calibration certificate traceable to ISO 17025, supplied with each instrument
- [5] Measured using zero-based best straight-line method.
- [6] Do not apply power to this device without current limiting, 20 mA MAX. To do so will destroy the integral IC amplifier.
- [7] Case is grounded to electrical signal/power ground.



Units on the line drawing are in inches, units in brackets are in millimeters. Refer to 127-3224A6 for more information.



21592 Marilla Street, Chatsworth, California 91311 Phone: 818.700.7818 Fax:818.700.7880 www.dytran.com For permission to reprint this content, please contact info@dytran.com