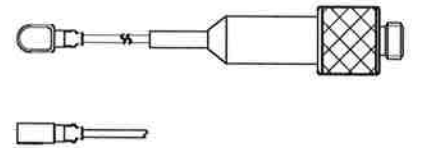
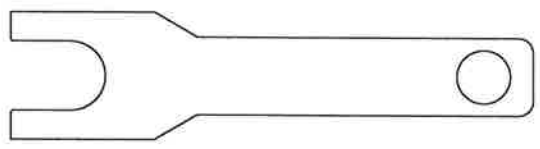
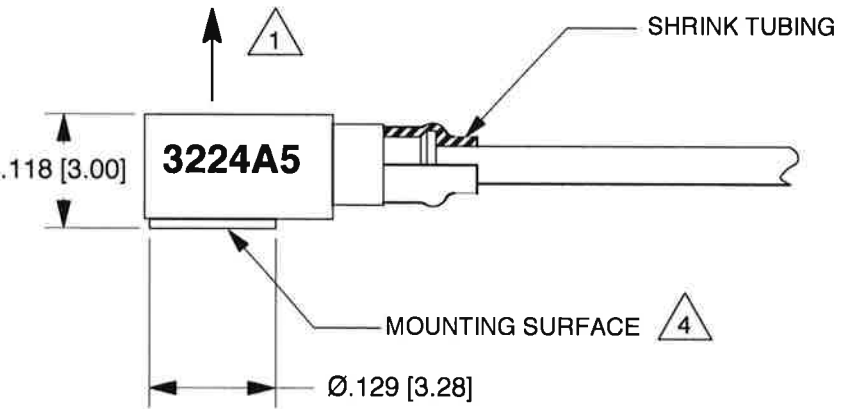
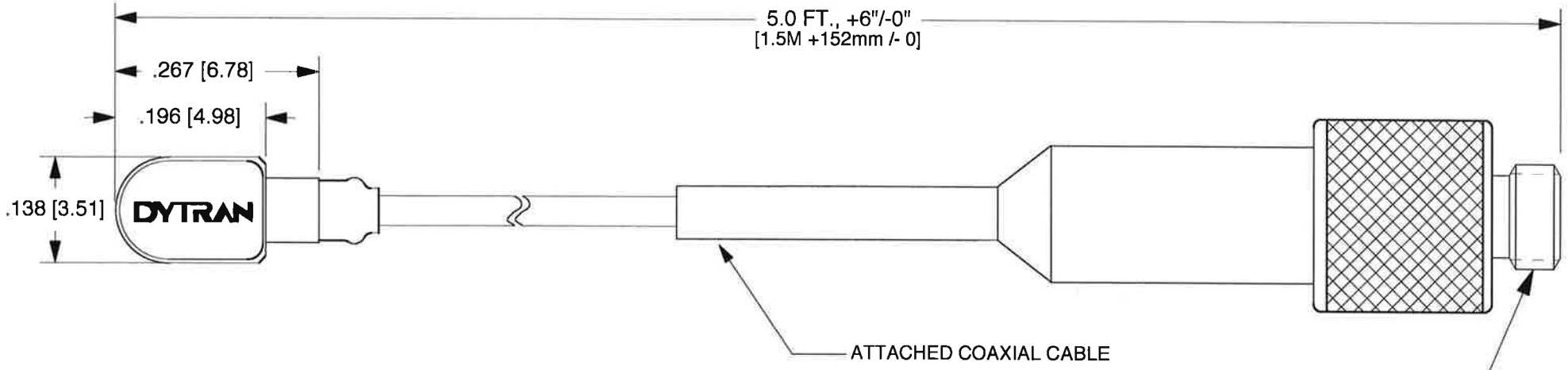


DYTRAN PROPRIETARY AND CONFIDENTIAL
 THE INFORMATION CONTAINED IN THIS DRAWING IS THE SOLE PROPERTY OF
 DYTRAN INSTRUMENTS, INC. AND ANY REPRODUCTION IN PART OR AS A
 WHOLE OR ANY OTHER DISSEMINATION OF THIS INFORMATION WITHOUT THE
 WRITTEN PERMISSION OF DYTRAN INSTRUMENTS, INC. IS PROHIBITED.

REV	ECN	DESCRIPTION	BY/DATE	CHK	APPR
A	11128	INITIAL RELEASE	JS 07/08/14	EC	JS



- △ 4 APPLY ADHESIVE TO THIS SURFACE TO MOUNT.
- 3. CASE AND CONNECTOR MATERIAL: TITANIUM.
- 2. WEIGHT LESS CABLE: 0.2 GRAMS.
- △ 1 ARROW INDICATES SENSE AND DIRECTION OF INPUT ACCELERATION FOR POSITIVE GOING OUTPUT SIGNAL.

UNLESS OTHERWISE SPECIFIED:
 DIMENSIONS ARE IN INCHES.
 DIMENSIONS IN BRACKETS [] ARE IN MILLIMETERS.
 TOLERANCES ARE:

INCHES	METRIC	ANGLES
.XX ±.03	.X ±0.8	±1°
.XXX ±.005	.XX ±0.25	

DYTRAN
INSTRUMENTS, INC.

MASTER
ONLY IF IN RED

CHADSWORTH, CA.

SCALE 5X	DESIGN N.C.	DATE 1/15/08			
DRAWN JS	DATE 07/08/14	PART NO. MODEL 3224A5			
CHECKED EC	DATE 7/08/14	MAT'L			REV A
APPROVED JS	DATE 7/9/14	NEXT ASSEMBLY	USED ON		
TITLE OUTLINE/INSTALLATION DRAWING, MODEL 3224A5 ACCELEROMETER, 10 mV/g			DWG NO. 127-3224A5		
			SHEET 1 OF 1		

MODEL NUMBER 3224A5	PERFORMANCE SPECIFICATION	DOC NO. PS3224A5
	IEPE ACCELEROMETER	REV E, ECN 15258, 08/02/19



- MINIATURE SIZE
- HIGH SENSITIVITY
- EPOXY SEALED CABLE CONNECTION

PHYSICAL

Weight, Less Cable
Mounting Provision
Connector [2]
Case Material
Sensing Element

ENGLISH		SI	
0.007	oz	0.2	grams
[1]		[1]	
Integral cable		Integral cable	
Titanium		Titanium	
Planar Shear Piezoceramic		Planar Shear Piezoceramic	

PERFORMANCE

Sensitivity [3] [4]
Range F. S. For ± 5 Volts Output
Frequency Response, ±10%
Resonant Frequency, NOM
Equivalent Electrical Noise Floor
Amplitude Non-Linearity [5]
Transverse Sensitivity, Max.
Strain Sensitivity @250µε

9 to 14	mV/g	.9 to 1.4	mV/ m/s ²
± 500	g	± 4905	m/s ²
0.3 to 20000	Hz	0.3 to 20000	Hz
>95	kHz	>95	kHz
0.023	g rms	0.225	m/s ² rms
± 1%	%F.S	± 1%	%F.S
5%		5%	
0.14	g/µε	1.37	m/s ² /µε

ENVIRONMENTAL

Maximum Vibration
Maximum Shock
Temperature Range
Seal
Magnetic Sensitivity at 100 Gauss

900	grms	8820	m/s ² rms
3000	±gpk	29400	± m/s ² pk
-60 to +300	°F	-51 to 149	°C
Laser welded, Epoxy Sealed Cable		Laser welded, Epoxy Sealed Cable	
0.000009	g/Gauss	0.8829	m/s ² /T

ELECTRICAL

Supply Current [6]
Compliance Voltage Range
Output Impedance TYP
Bias Voltage
Discharge Time Constant
Output Signal Polarity for Acceleration Toward Top
Case Grounding

2 to 20	mA	2 to 20	mA
18 to +30	V	18 to +30	V
100	Ω	100	Ω
+8 to +10	VDC	+8 to +10	VDC
1.1 to 2.5	sec	1.1 to 2.5	sec
Positive		Positive	
[7]		[7]	

This family also includes:

Model	Sensitivity (mV/g)	Range (Gpeak)	Resolution (Grms)	Oper. Temp(°F)	TC (sec)
3224A2	2 to 5	2500	0.03	-60 to 300	0.3 to 1.0
3224A3	5 to 10	1000	0.037	-60 to 300	1.1 to 2.5
3224A4	1 to 2.5	5000	0.08	-60 to 300	0.3 to 1.0

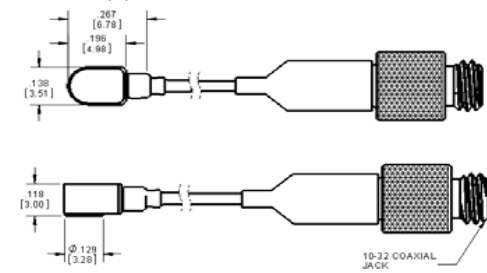
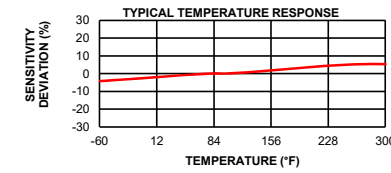
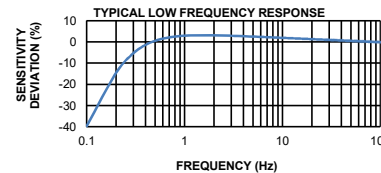
Please, refer to the performance specifications of the products in this family for detailed description.

Supplied Accessories:

- 1) Model 6725 installation removal wrench.
- 2) Sample of " Small Petro Mounting Wax".
- 3) Accredited calibration certificate (ISO 17025)

Notes:

- [1] Flat mounting surface for adhesive mount.
 - [2] 10-32 Jack at end of integral 5FT.cable
 - [3] Measured at 100 Hz, 1 g rms per ISA RP 37.2.
 - [4] Actual sensitivity is given on a calibration certificate traceable to ISO 17025, supplied with each instrument
 - [5] Measured using zero-based best straight-line method.
 - [6] Do not apply power to this device without current limiting, 20 mA MAX.
To do so will destroy the integral IC amplifier.
 - [7] Case is grounded to electrical signal/power ground.
 - [8] In the interest of constant product improvement, we reserve the rights to change the specifications without notice.
- It is the customer's responsibility to validate that a particular product with the properties described in the product specification is suitable for use in a particular application. Parameters provided in datasheets and / or specifications may vary in different applications and performance may vary overtime. All operating parameters, including typical parameters, must be validated for each customer application by the customer's technical experts.



Units on the line drawing are in inches, units in brackets are in millimeters. Refer to 127-3224A1 for more information.

