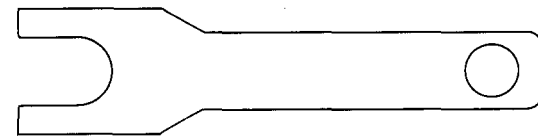
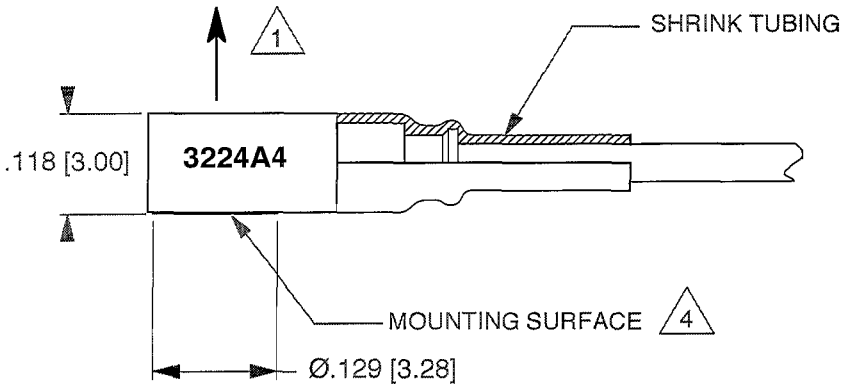
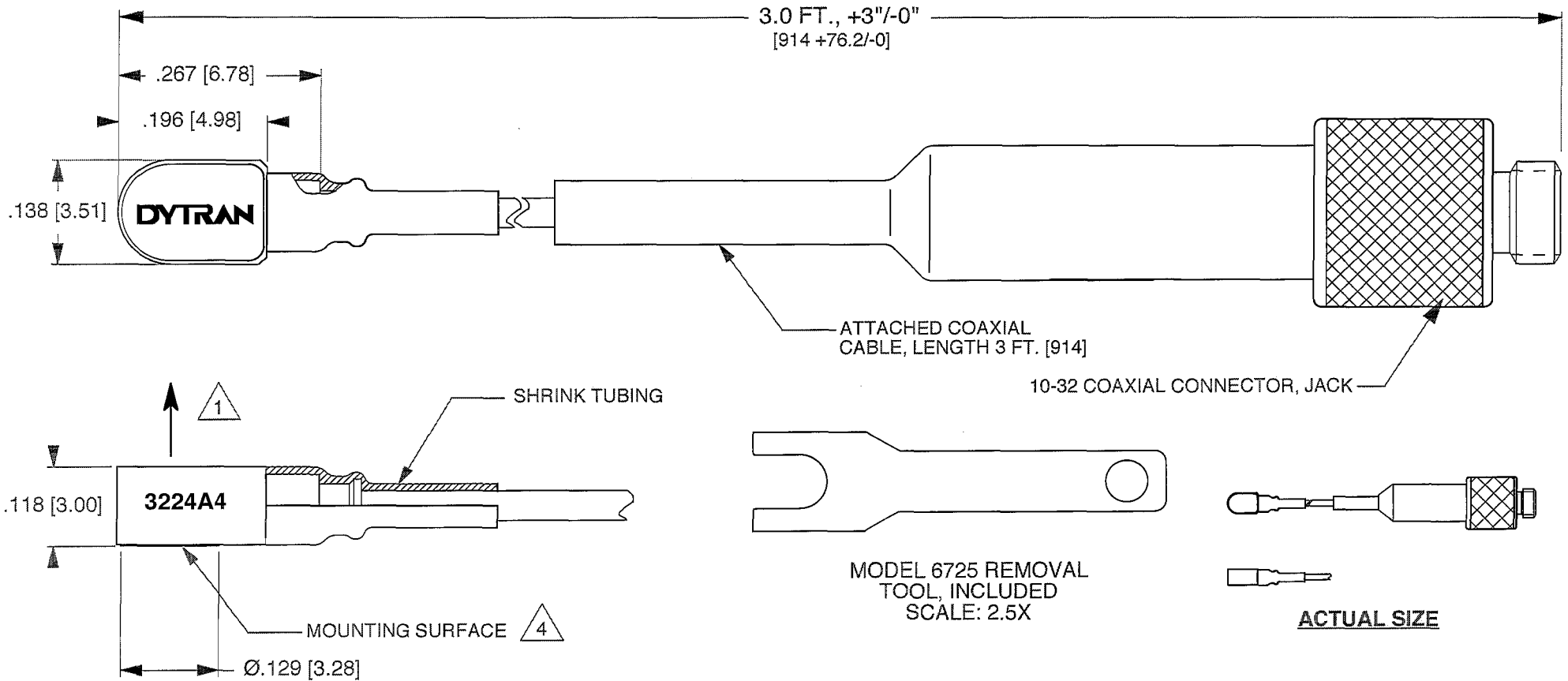
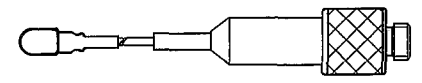


REV	ECN	DESCRIPTION	BY/DATE	CHK	APPR
A	9414	INITIAL RELEASE	NC/12-12-12	EP	DV
B	9935	UPDATED VIEW OF CONNECTOR	AB 05/10/13	JS	RT
C	10349	CORRECTED DIMENSIONS OF BODY	NC/09-09-13	MH	RT



MODEL 6725 REMOVAL TOOL, INCLUDED SCALE: 2.5X



ACTUAL SIZE

- 4 APPLY ADHESIVE TO THIS SURFACE TO MOUNT.
- 3. CASE AND CONNECTOR MATERIAL: TITANIUM.
- 2. WEIGHT LESS CABLE: 0.2 GRAMS.
- 1 ARROW INDICATES SENSE AND DIRECTION OF INPUT ACCELERATION FOR POSITIVE GOING OUTPUT SIGNAL.

UNLESS OTHERWISE SPECIFIED: DIMENSIONS ARE IN INCHES. DIMENSIONS IN BRACKETS [] ARE IN MILLIMETERS. TOLERANCES ARE:		
INCHES	METRIC	ANGLES
.XX ±.03	.X ±0.8	±1°
.XXX ±.005	.XX ±0.25	

MASTER

ONLY IF IN RED

CHATSWORTH, CA.

SCALE 5X	DESIGN N.C.	DATE 12/12/12			
DRAWN N.C.	DATE 12/12/12	PART NO. MODEL 3224A4			
CHECKED MH	DATE 01/13/13	MAT'L			REV C
APPROVED RT	DATE 01/13/13	NEXT ASSEMBLY	USED ON		
TITLE OUTLINE/INSTALLATION DRAWING, MODEL 3224A4			DWG NO. 127-3224A4		
			SHEET 1 OF 1		

MODEL NUMBER 3224A4	PERFORMANCE SPECIFICATION	DOC NO. PS3224A4
	IEPE ACCELEROMETER	REV J, ECN 13890, 12/01/17



- MINIATURE SIZE
- EPOXY SEALED CABLE CONNECTION

PHYSICAL

	ENGLISH		SI
Weight, Less Cable	0.007	oz	0.2
Mounting Provision	[1]		[1]
Connector [2]	Integral cable		Integral cable
Case Material	Titanium		Titanium
Sensing Element	Planar Shear Quartz		Planar Shear Quartz

PERFORMANCE

Sensitivity, 25% [3] [4]	1	mV/g	0.1
Range F.S. For ± 5 Volts Output	± 5000	g	± 49050
Frequency Response, ±10%	1.2 to 20000	Hz	1.2 to 20000
Resonant Frequency, NOM	>95	kHz	>95
Equivalent Electrical Noise Floor	0.08	g rms	0.78
Amplitude Non-Linearity [5]	± 1 %	%F.S	± 1 %
Transverse Sensitivity, Max.	5%		5%
Strain Sensitivity @250µε	0.14	g/µε	1.37

ENVIRONMENTAL

Maximum Vibration	6000	grms	58800
Maximum Shock	5000	±gpk	49000
Temperature Range	-60 to +300	°F	-51 to 149
Seal	Laser Welded, Epoxy sealed Cable		Laser Welded, Epoxy sealed Cable
Magnetic Sensitivity at 100 Gauss	0.000009	g/Gauss	0.8829

ELECTRICAL

Supply Current [6]	2 to 20	mA	2 to 20
Compliance Voltage Range	18 to +30	V	18 to +30
Output Impedance TYP	100	Ω	100
Bias Voltage	+7 to +9	VDC	+7 to +9
Discharge Time Constant	0.3 to 1.0	sec	0.3 to 1.0
Output Signal Polarity for Acceleration Toward Top	Positive		Positive
Case Grounding	[7]		[7]

This family also includes:

Model	Sensitivity (mV/g)	Range (Gpeak)	Resolution (Grms)	Oper. Temp(°F)	TC (sec)
3224A1	9 to 14	500	0.023	-60 to 300	0.9 to 1.5
3224A2	2 to 5	2500	0.03	-60 to 300	0.3 to 1.0
3224A3	5 to 10	1000	0.037	-60 to 300	1.1 to 1.5

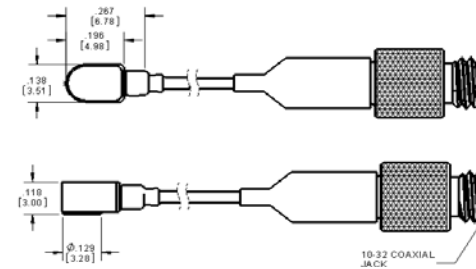
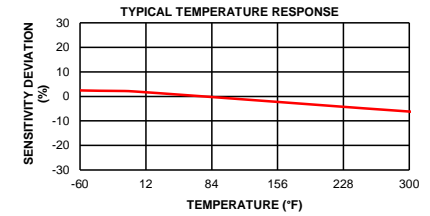
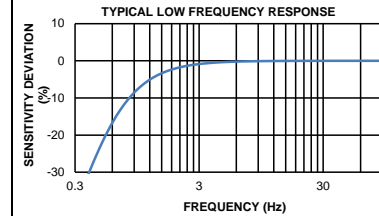
Please, refer to the performance specifications of the products in this family for detailed description.

Supplied Accessories:

- 1) Model 6725 installation removal wrench.
- 2) Sample of " Small Petro Mounting Wax".
- 3) Accredited calibration certificate (ISO 17025)

Notes:

- [1] Flat mounting surface for adhesive mount.
- [2] 10-32 Jack at end of integral 3FT. cable
- [3] Measured at 100 Hz, 1 g rms per ISA RP 37.2.
- [4] Actual sensitivity is given on a calibration certificate traceable to ISO 17025, supplied with each instrument
- [5] Measured using zero-based best straight-line method.
- [6] Do not apply power to this device without current limiting, 20 mA MAX. To do so will destroy the integral IC amplifier.
- [7] Case is grounded to electrical signal/power ground.



Units on the line drawing are in inches, units in brackets are in millimeters. Refer to 127-3224A4 for more information.



21592 Marilla Street, Chatsworth, California 91311 Phone: 818.700.7818 Fax:818.700.7880 www.dytran.com For permission to reprint this content, please contact info@dytran.com