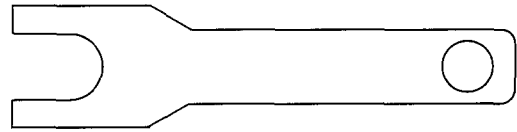
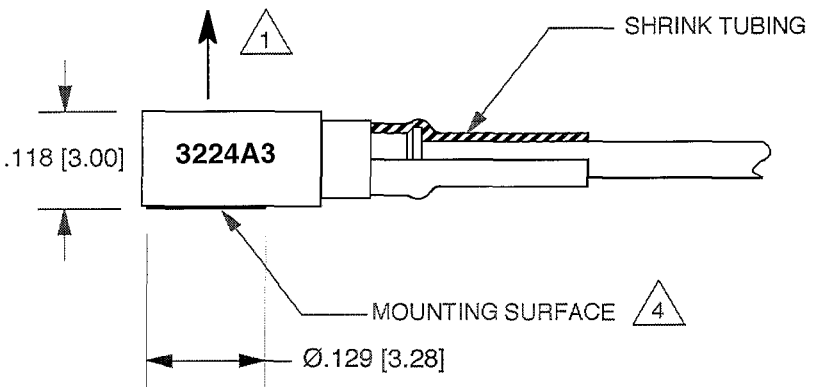
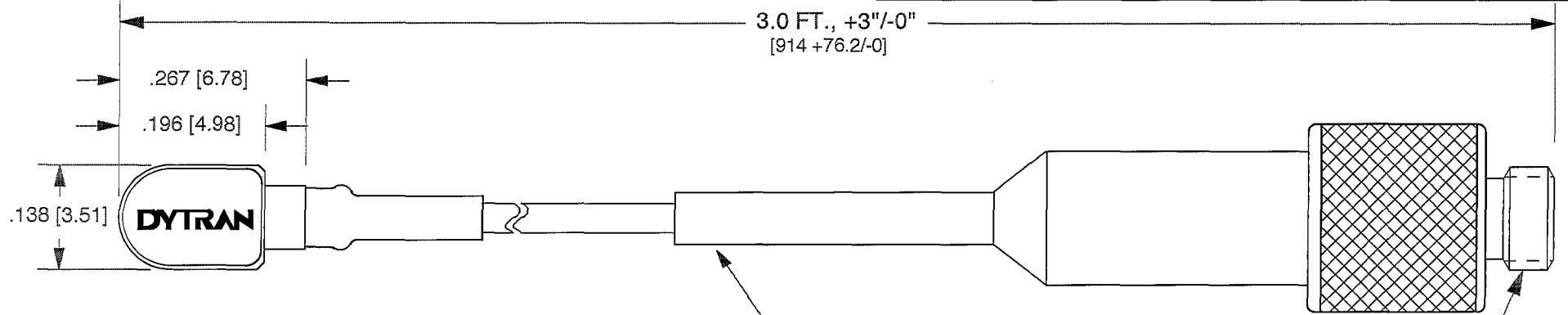
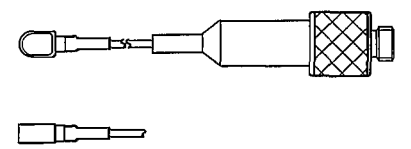


DYTRAN PROPRIETARY AND CONFIDENTIAL
 THE INFORMATION CONTAINED IN THIS DRAWING IS THE SOLE PROPERTY OF
 DYTRAN INSTRUMENTS, INC. AND ANY REPRODUCTION IN PART OR AS A
 WHOLE OR ANY OTHER DISSEMINATION OF THIS INFORMATION WITHOUT THE
 WRITTEN PERMISSION OF DYTRAN INSTRUMENTS, INC. IS PROHIBITED.

REV	ECN	DESCRIPTION	BY/DATE	CHK	APPR
C	8930	.27 [6.80] WAS: .247 [6.3]	LN/07-30-12	JS	NC
D	9935	UPDATED VIEW OF CONNECTOR	AB 05/09/13	JS	RT
E	10349	CORRECTED DIMENSIONS OF BODY	NC/09/09/13	MH	RT



MODEL 6725 REMOVAL
 TOOL, INCLUDED
 SCALE: 2.5X



ACTUAL SIZE

- 4 APPLY ADHESIVE TO THIS SURFACE TO MOUNT.
- 3. CASE AND CONNECTOR MATERIAL: TITANIUM.
- 2. WEIGHT LESS CABLE: 0.2 GRAMS.
- 1 ARROW INDICATES SENSE AND DIRECTION OF INPUT ACCELERATION FOR POSITIVE GOING OUTPUT SIGNAL.

UNLESS OTHERWISE SPECIFIED:
 DIMENSIONS ARE IN INCHES.
 DIMENSIONS IN BRACKETS [] ARE IN
 MILLIMETERS.
 TOLERANCES ARE:

INCHES	METRIC	ANGLES
.XX ±.03	.X ±0.8	±1°
.XXX ±.005	.XX ±0.25	

DYTRAN
INSTRUMENTS, INC.

MASTER
ONLY IF IN RED

CHATSORTH, CA.

SCALE 5X	DESIGN N.C.	DATE 1/15/08		
DRAWN N.C.	DATE 1/15/08	PART NO. MODEL 3224A3		
CHECKED DV	DATE 3/25/09	MAT'L		REV E
APPROVED ANS	DATE 1/15/09	NEXT ASSEMBLY	USED ON	
TITLE OUTLINE/INSTALLATION DRAWING, MODEL 3224A3 ACCELEROMETER, 5 mV/g			DWG NO. 127-3224A3	
SHEET 1 OF 1				

MODEL NUMBER 3224A3	PERFORMANCE SPECIFICATION	DOC NO. PS3224A3
IEPE ACCELEROMETER		REV P, ECN 15258, 08/02/19



- MINIATURE SIZE
- EPOXY SEALED CABLE CONNECTION

PHYSICAL

Weight, Less Cable
Mounting Provision
Connector [2]
Case Material
Sensing Element

ENGLISH		SI
0.007	oz	0.2
[1]		[1]
Integral cable		Integral cable
Titanium		Titanium
Planar Shear Piezoceramic		Planar Shear Piezoceramic

PERFORMANCE

Sensitivity [3] [4]
Range F.S. For ± 5 Volts Output
Frequency Response, ±10%
Resonant Frequency, NOM
Equivalent Electrical Noise Floor
Amplitude Non-Linearity [5]
Transverse Sensitivity, Max.
Strain Sensitivity @250µε

	ENGLISH		SI	
Sensitivity [3] [4]	5 to 10	mV/g	0.5 to 1.0	mV/ m/s ²
Range F.S. For ± 5 Volts Output	± 1000	g	± 9810	m/s ²
Frequency Response, ±10%	0.3 to 20000	Hz	0.3 to 20000	Hz
Resonant Frequency, NOM	>95	kHz	>95	kHz
Equivalent Electrical Noise Floor	0.037	g rms	0.36	m/s ² rms
Amplitude Non-Linearity [5]	± 1 %	%F.S	± 1%	%F.S
Transverse Sensitivity, Max.	5%		5%	
Strain Sensitivity @250µε	0.14	g/µε	1.37	m/s ² /µε

ENVIRONMENTAL

Maximum Vibration
Maximum Shock
Temperature Range
Seal
Magnetic Sensitivity at 100 Gauss

	ENGLISH		SI	
Maximum Vibration	650	grms	6370	m/s ² rms
Maximum Shock	2000	±gpk	19600	± m/s ² pk
Temperature Range	-60 to +300	°F	-51 to 149	°C
Seal	Laser Welded, Epoxy sealed Cable		Laser Welded, Epoxy sealed Cable	
Magnetic Sensitivity at 100 Gauss	0.000009	g/Gauss	0.8829	m/s ² /T

ELECTRICAL

Supply Current [6]
Compliance Voltage Range
Output Impedance TYP
Bias Voltage
Discharge Time Constant
Output Signal Polarity for Acceleration Toward Top
Case Grounding

	ENGLISH		SI	
Supply Current [6]	2 to 20	mA	2 to 20	mA
Compliance Voltage Range	18 to +30	V	18 to +30	V
Output Impedance TYP	100	Ω	70	Ω
Bias Voltage	+8 to +10	VDC	+8 to +10	VDC
Discharge Time Constant	1.1 to 2.5	sec	1.1 to 2.5	sec
Output Signal Polarity for Acceleration Toward Top	Positive		Positive	
Case Grounding	[7]		[7]	

This family also includes:

Model	Sensitivity (mV/g)	Range (Gpeak)	Resolution (Grms)	Oper. Temp(°F)	TC (sec)
3224A1	9 to 14	500	0.023	-60 to 300	0.9 to 2.5
3224A2	2 to 5	2500	0.03	-60 to 300	0.3 to 1.0
3224A4	1 to 2.5	5000	0.08	-60 to 300	0.3 to 1.0

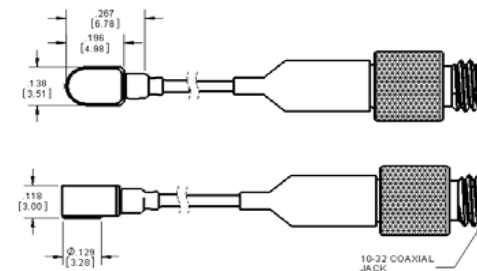
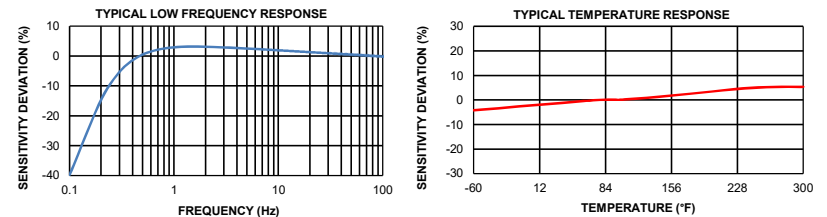
Please, refer to the performance specifications of the products in this family for detailed description.

Supplied Accessories:

- 1) Model 6725 installation removal wrench.
- 2) Sample of " Small Petro Mounting Wax".
- 3) Accredited calibration certificate (ISO 17025)

Notes:

- [1] Flat mounting surface for adhesive mount.
 - [2] 10-32 Jack at end of integral 3FT.cable
 - [3] Measured at 100 Hz, 1 g rms per ISA RP 37.2.
 - [4] Actual sensitivity is given on a calibration certificate traceable to ISO 17025, supplied with each instrument
 - [5] Measured using zero-based best straight-line method.
 - [6] Do not apply power to this device without current limiting, 20 mA MAX. To do so will destroy the integral IC amplifier.
 - [7] Case is grounded to electrical signal/power ground.
 - [8] In the interest of constant product improvement, we reserve the rights to change the specifications without notice.
- It is the customer's responsibility to validate that a particular product with the properties described in the product specification is suitable for use in a particular application. Parameters provided in datasheets and / or specifications may vary in different applications and performance may vary overtime. All operating parameters, including typical parameters, must be validated for each customer application by the customer's technical experts.



Units on the line drawing are in inches, units in brackets are in millimeters. Refer to 127-3224A3 for more information.



21592 Marilla Street, Chatsworth, California 91311 Phone: 818.700.7818 Fax:818.700.7880 www.dytran.com For permission to reprint this content, please contact info@dytran.com