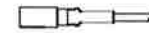
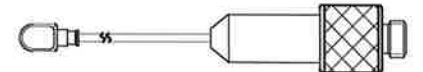
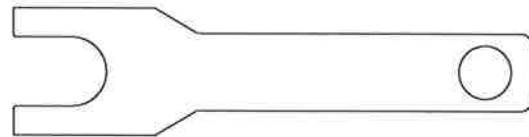
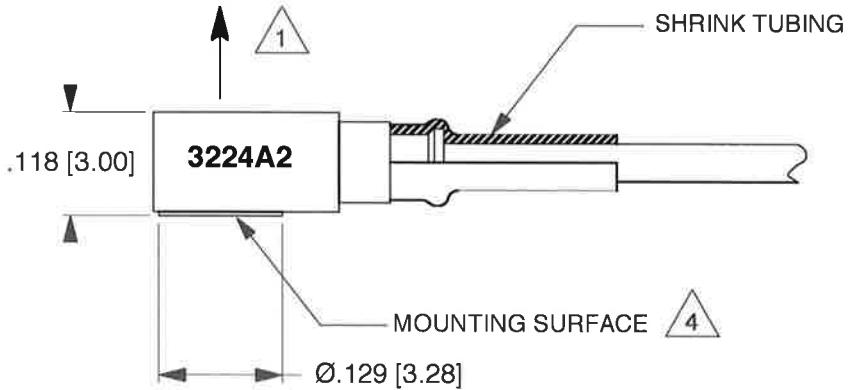
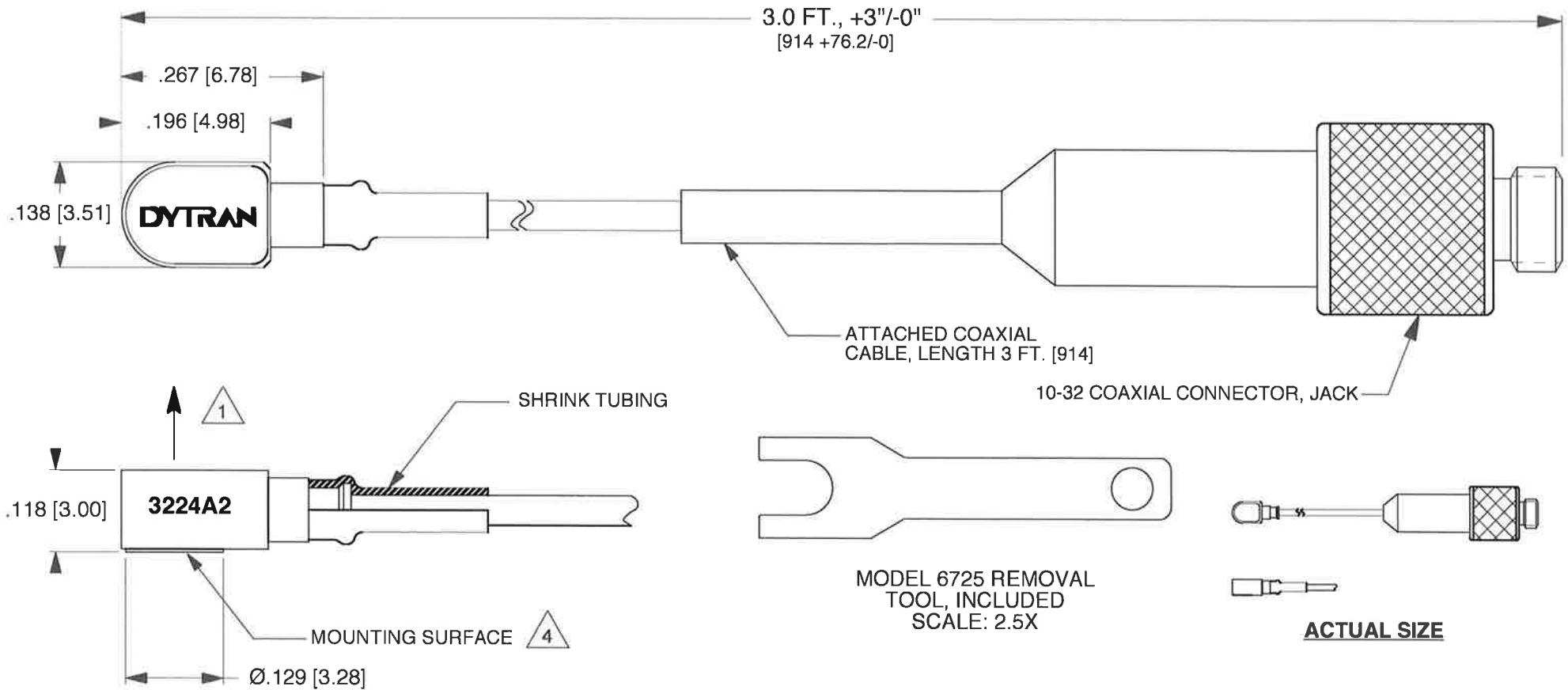


REV	ECN	DESCRIPTION	BY/DATE	CHK	APPR
C	8930	.27[6.8] WAS: .247[6.3]	LN 07/30/12	JS	NC
D	9935	UPDATED VIEW OF CONNECTOR	AB 05/09/13	JS	RT
E	10349	CORRECTED DIMENSIONS OF BODY	NC/09-09-13	MH	RT



- 4 APPLY ADHESIVE TO THIS SURFACE TO MOUNT.
- 3. CASE AND CONNECTOR MATERIAL: TITANIUM.
- 2. WEIGHT LESS CABLE: 0.2 GRAMS.
- 1 ARROW INDICATES SENSE AND DIRECTION OF INPUT ACCELERATION FOR POSITIVE GOING OUTPUT SIGNAL.

UNLESS OTHERWISE SPECIFIED:  
DIMENSIONS ARE IN INCHES.  
DIMENSIONS IN BRACKETS [ ] ARE IN MILLIMETERS.  
TOLERANCES ARE:

INCHES	METRIC	ANGLES
.XX ±.03	.X ±0.8	±1°
.XXX ±.005	.XX ±0.25	

**MASTER ONLY IF IN RED**

CHATSWORTH, CA.

SCALE 5X	DESIGN N.C.	DATE 1/2/08			
DRAWN N.C.	DATE 1/2/08	PART NO. MODEL 3224A2			
CHECKED CES	DATE 5/5/08	MAT'L			REV E
APPROVED NC	DATE 5/5/08	NEXT ASSEMBLY	USED ON		
TITLE <b>OUTLINE/INSTALLATION DRAWING, MODEL 3224A2</b>				DWG NO. <b>127-3224A2</b>	
SHEET 1 OF 1					

<b>MODEL NUMBER</b> <b>3224A2</b>	<b>PERFORMANCE SPECIFICATION</b>	<b>DOC NO.</b> <b>PS3224A2</b>
	<b>IEPE ACCELEROMETER</b>	REV N, ECN 13890, 12/04/17



- MINIATURE SIZE
- EPOXY SEALED CABLE CONNECTION

**PHYSICAL**

Weight, Less Cable  
Mounting Provision  
Connector [2]  
Case Material  
Sensing Element

ENGLISH		SI
0.007	oz	0.2
[1]		[1]
Integral cable		Integral cable
Titanium		Titanium
Planar Shear Quartz		Planar Shear Quartz

**PERFORMANCE**

Sensitivity [3] [4]  
Range F.S. For ± 5 Volts Output  
Frequency Response, ±10%  
Resonant Frequency, NOM  
Equivalent Electrical Noise Floor  
Amplitude Non-Linearity [5]  
Transverse Sensitivity, Max.  
Strain Sensitivity @250µε

2 to 5	mV/g	0.2 to 0.5	mV/ m/s <sup>2</sup>	
± 2500	g	± 24525	m/s <sup>2</sup>	
1.2 to 20000	Hz	1.2 to 20000	Hz	
>95	kHz	>95	kHz	
0.03	g rms	0.29	m/s <sup>2</sup> rms	
± 1 %	%F.S	± 1%	%F.S	
5%		5%		
0.14	g/µε	1.37	m/s <sup>2</sup> /µε	

**ENVIRONMENTAL**

Maximum Vibration  
Maximum Shock  
Temperature Range  
Seal  
Magnetic Sensitivity at 100 Gauss

4000	grms	39200	m/s <sup>2</sup> rms
5000	±gpk	49000	± m/s <sup>2</sup> pk
-60 to +300	°F	-51 to 149	°C
Laser Welded, Epoxy sealed Cable		Laser Welded, Epoxy sealed Cable	
0.000009	g/Gauss	0.8829	m/s <sup>2</sup> /T

**ELECTRICAL**

Supply Current [6]  
Compliance Voltage Range  
Output Impedance TYP  
Bias Voltage  
Discharge Time Constant  
Output Signal Polarity for Acceleration Toward Top  
Case Grounding

2 to 20	mA	2 to 20	mA
18 to +30	V	18 to +30	V
100	Ω	70	Ω
+7 to +9	VDC	+7 to +9	VDC
0.3 to 1.0	sec	0.3 to 1.0	sec
Positive		Positive	
[7]		[7]	

**This family also includes:**

Model	Sensitivity (mV/g)	Range (Gpeak)	Resolution (Grms)	Oper. Temp(°F)	TC (sec)
3224A1	9 to 14	500	0.017	-60 to 300	0.9 to 1.5
3224A3	5 to 10	1000	0.025	-60 to 300	1.1 to 1.5
3224A4	1 to 2.5	5000	0.08	-60 to 300	0.3 to 1.0

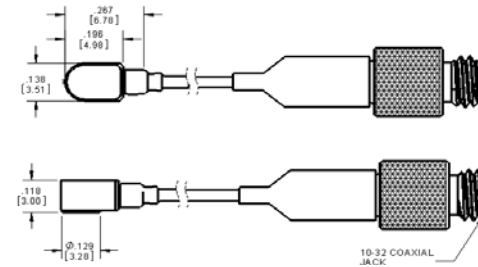
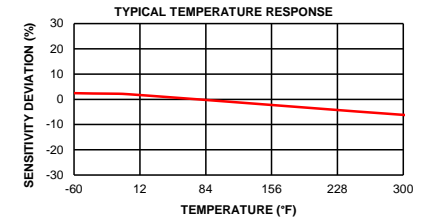
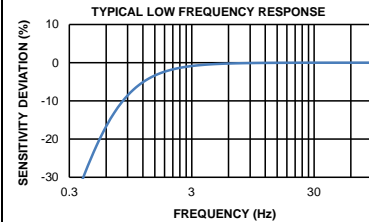
Please, refer to the performance specifications of the products in this family for detailed description.

**Supplied Accessories:**

- 1) Model 6725 installation removal wrench.
- 2) Sample of " Small Petro Mounting Wax".
- 3) Accredited calibration certificate (ISO 17025)

**Notes:**

- [1] Flat mounting surface for adhesive mount.
- [2] 10-32 Jack at end of integral 3FT. cable
- [3] Measured at 100 Hz, 1 g rms per ISA RP 37.2.
- [4] Actual sensitivity is given on a calibration certificate traceable to ISO 17025, supplied with each instrument
- [5] Measured using zero-based best straight-line method.
- [6] Do not apply power to this device without current limiting, 20 mA MAX. To do so will destroy the integral IC amplifier.
- [7] Case is grounded to electrical signal/power ground.



Units on the line drawing are in inches, units in brackets are in millimeters. Refer to 127-3224A2 for more information.



21592 Marilla Street, Chatsworth, California 91311 Phone: 818.700.7818 Fax:818.700.7880 www.dytran.com For permission to reprint this content, please contact info@dytran.com