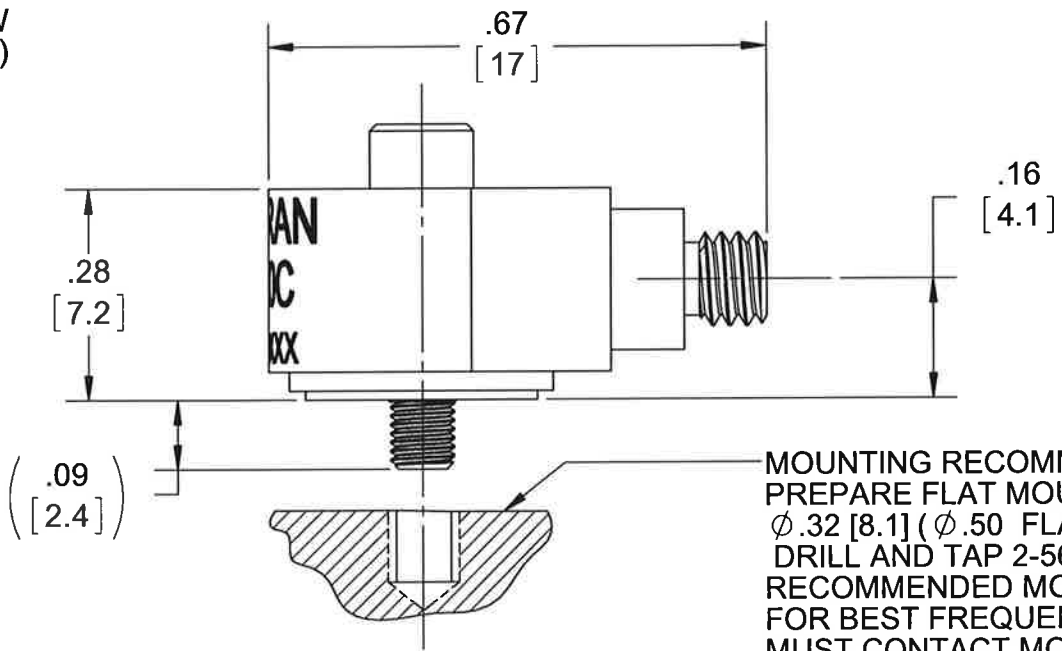
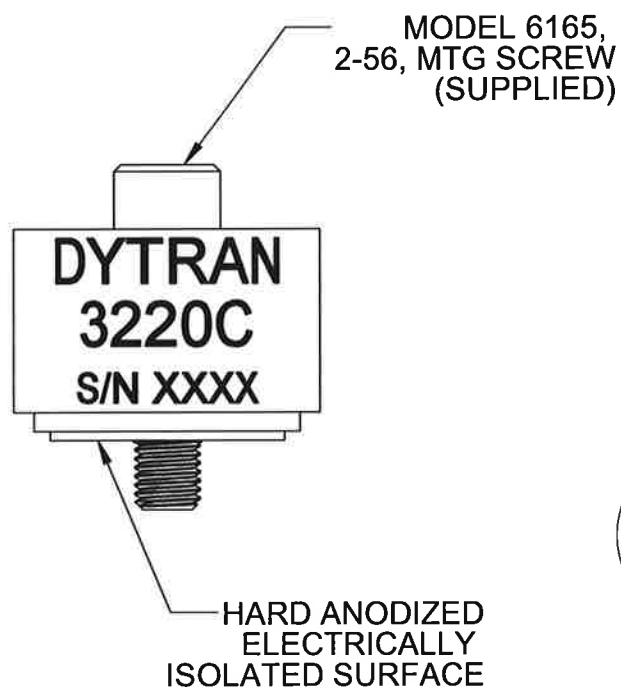
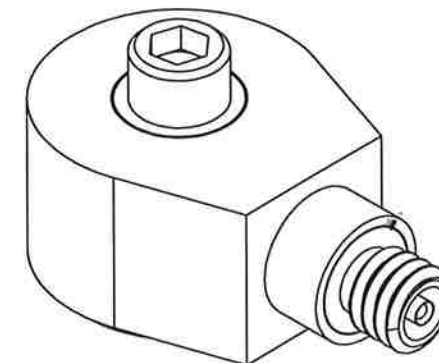
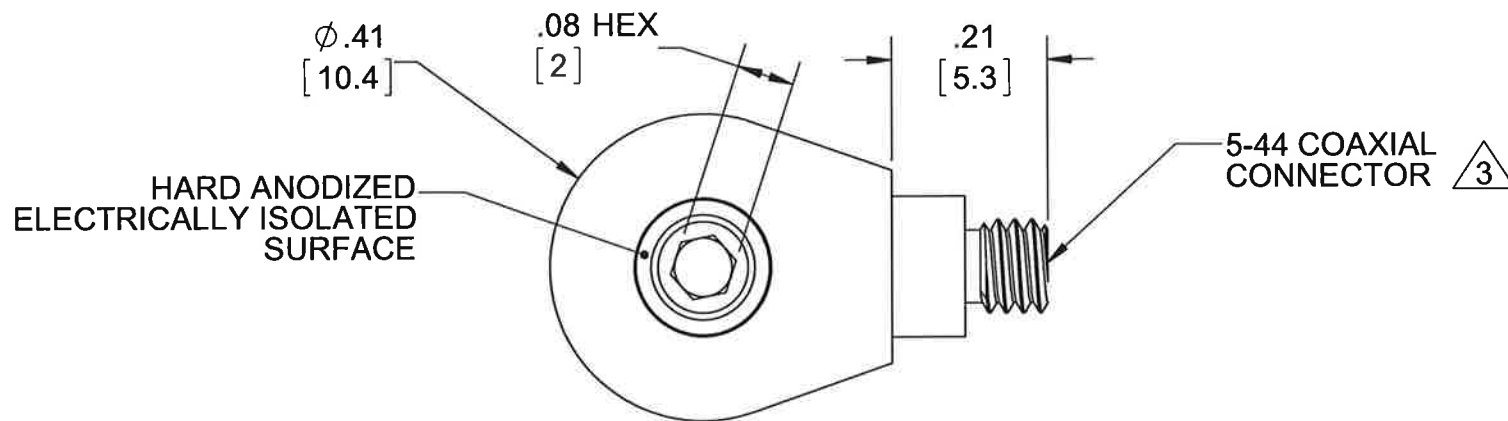


PROPRIETARY AND CONFIDENTIAL

THE INFORMATION CONTAINED IN THIS DRAWING IS THE SOLE PROPERTY OF DYTRAN INSTRUMENTS INC. ANY REPRODUCTION IN PART OR AS A WHOLE WITHOUT THE WRITTEN PERMISSION OF DYTRAN INSTRUMENTS INC. IS PROHIBITED

REVISIONS

REV.	ECN	DESCRIPTION	BY/DATE	CHK	APPR
A	11882	REVISED AND REDRAWN TO NEW FORMAT	LA 04/13/15	EM	LN



MOUNTING RECOMMENDATIONS:
 PREPARE FLAT MOUNTING SURFACE
 $\phi .32$ [8.1] ($\phi .50$ FLAT TO $.001$ TIR.
 DRILL AND TAP 2-56 UNC-2B $\nabla .125$ [3.1] MIN.
 RECOMMENDED MOUNTING TORQUE: 4 LB-IN MAX
 FOR BEST FREQUENCY RESPONSE, ACCELEROMETER
 MUST CONTACT MOUNTING SURFACE OVER ENTIRE
 MOUNTING SURFACE OF ACCELEROMETER

- 3 MATES WITH DYTRAN CABLE 6025AXX.
 - 2. WEIGHT: 4.0 GRAMS MAX.
 - 1. MATERIAL: TITANIUM
- NOTES: UNLESS OTHERWISE SPECIFIED

UNLESS OTHERWISE SPECIFIED:
 INTERPRET DIM & TOL PER ASME Y14.5M - 1994.
 REMOVE BURRS.
 COUNTERSINK INTERNAL THDS 90° TO MAJOR DIA.
 CHAM EXT THDS 45° TO MINOR DIA.
 THD LENGTHS AND DEPTHS ARE FOR MIN FULL THDS.
 DIMENSIONS APPLY AFTER FINISHING.

ALL MACHINED SURFACES $\sqrt{63}$
 TOTAL RUNOUT WITHIN .005.
 BREAK SHARP EDGES .005 TO .010.
 MACHINED FILLET RADII .005 TO .015.
 WELDING SYMBOLS PER AWS A2.4.
 ABBREVIATIONS PER MIL-STD-12.

DECIMALS	METRIC	ANGLES
.XX ±.03	.X ± 0.8	±1°
.XXX ±.010	.XX ±0.25	

APPROVALS		DATE
ORIG	NC	04/04/96
CHK	DZ	04/04/96
APP	NC	04/04/96

DO NOT SCALE DRAWING

THIRD ANGLE PROJECTION
 USA

MASTER ONLY IF IN RED
 DYTRAN INSTRUMENTS, INC. Chatsworth, CA

TITLE: **OUTLINE/INSTALLATION DRAWING, MODEL 3220C**

SIZE B	CAGE CODE 2W033	DWG NO 127-3220C	REV A
---------------	------------------------	-------------------------	--------------

SCALE: 4:1 SHEET 1 OF 1

Model Number 3220C	PERFORMANCE SPECIFICATIONS	DOC NO PS3220C
------------------------------	-----------------------------------	--------------------------

SINGLE AXIS CHARGE MODE ACCELEROMETER

REV C, ECN 13547, 07/07/17



- HERMETICALLY SEALED
- EXCELLENT LINEARITY
- 5-44 CONNECTOR

PHYSICAL

Weight, Max.
Connector [3]
Mounting
Material, Housing/Connector
Sensing Element Material

ENGLISH		SI	
0.14	oz	4.0	grams
5-44		5-44	
2-56 Screw		2-56 Screw	
Titanium		Titanium	
LiNbO ₃		LiNbO ₃	

PERFORMANCE

Sensitivity, ±30% [1]
Range F.S.
Frequency Range, ± 15%
Resonant Frequency
Maximum Transverse sensitivity
Capacitance
Linearity

1.5	pC/g	0.15	pC/m/s ²
[7]		[7]	
[4] to 10000	Hz	[4] to 10000	Hz
>35	kHz	>35	kHz
5	%	5	%
120	pF	120	pF
2	% FS	2	% FS

ENVIRONMENTAL

Maximum Vibration
Maximum Shock
Temperature Range
Seal

1000	Gpeak	9810	m/s ² peak
2000	Gpeak	19620	m/s ² peak
-60 to +500	*F	-51 to +260	*C
Hermetic		Hermetic	

This family also includes:

Model	Sensitivity (pC/g)	Frequency Response (Hz)	Operating Temp (*F)
3220C1	10 ± 14%	[4] to 10000	-60 to +500

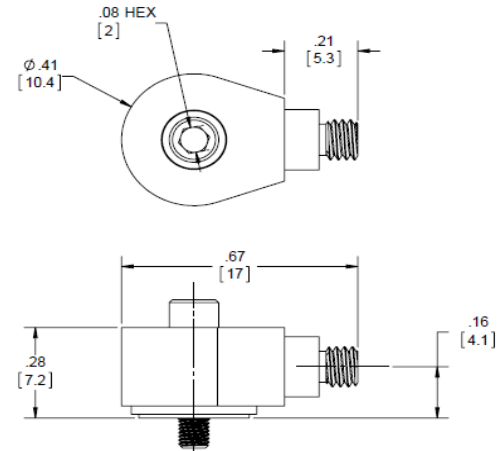
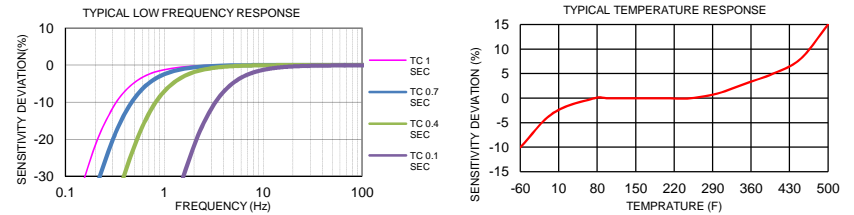
Refer to the performance specifications of the products in this family for detailed description

Supplied Accessories:

- 1) Accredited calibration certificate (ISO 17025)
- 2) Mounting screw, Model 6165 supplied

Notes:

- [1] Measured at 100Hz, 1 Grms per ISA RP 37.2.
- [2] Measure using zero-based straight line method, % of F.S. or any lesser range.
- [3] Mates with Dytran cable 6029AXX or 6040AXX.
- [4] Low frequency response and phase response is a function of charge amplifier. See graph below for example.
- [5] Do not apply power to this system without current limiting, 20 mA MAX. To do so will destroy the IC charge amplifier.
- [6] In the interest of constant product improvement, we reserve the right to change specifications without notice.
- [7] This parameter depends on the gain settings of the charge amplifier used.



Units on the line drawing are in inches, units in brackets are in millimeters. Refer to 127-3220C for more information.



21592 Marilla Street, Chatsworth, California 91311 Phone: 818.700.7818 Fax: 818.700.7880 www.dytran.com
For permission to reprint this content, please contact info@dytran.com