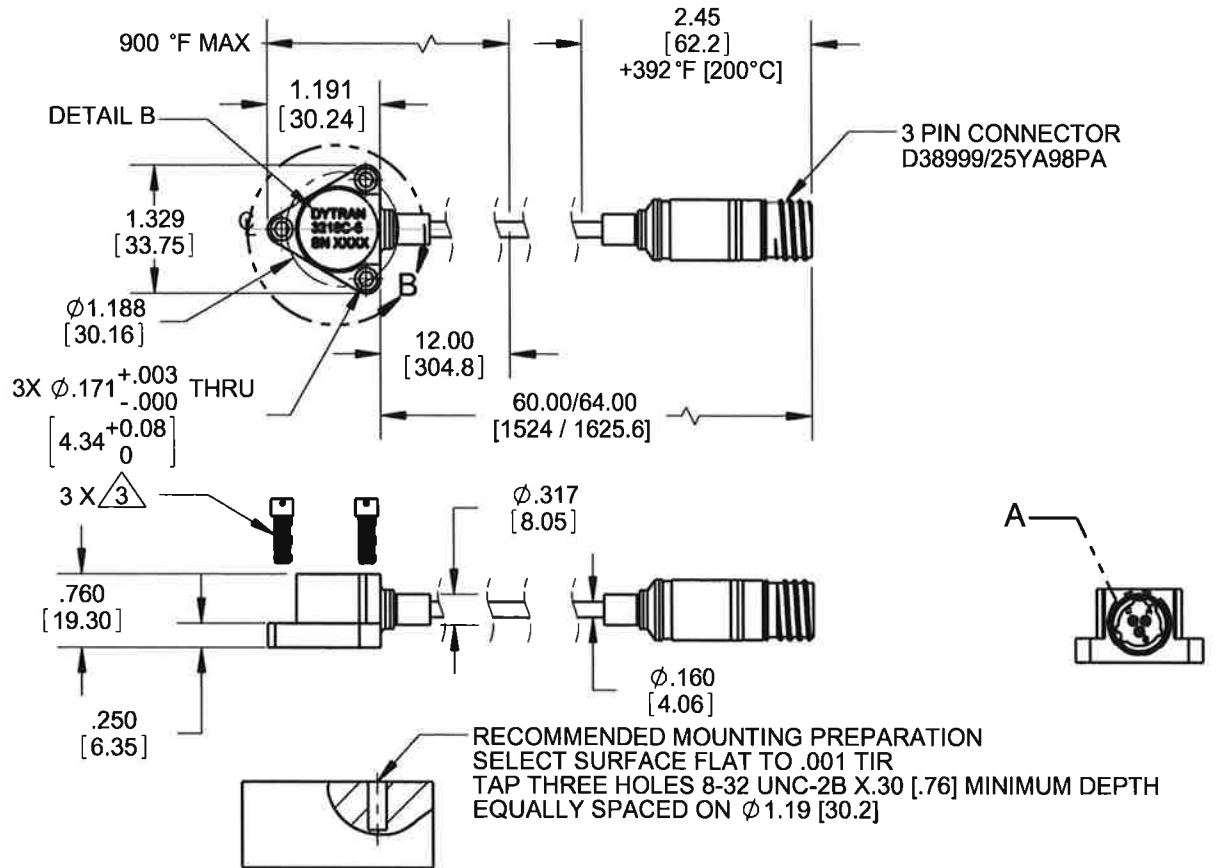
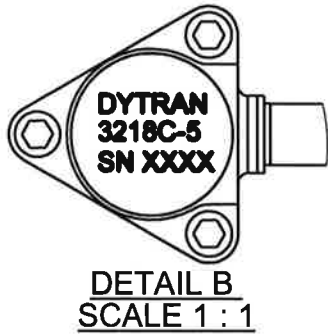
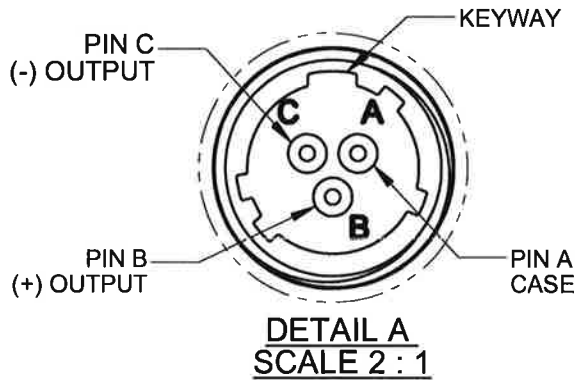


PROPRIETARY AND CONFIDENTIAL

THE INFORMATION CONTAINED IN THIS DRAWING IS THE SOLE PROPERTY OF DYTRAN INSTRUMENTS INC. ANY REPRODUCTION IN PART OR AS A WHOLE WITHOUT THE WRITTEN PERMISSION OF DYTRAN INSTRUMENTS, INC. IS PROHIBITED

REVISIONS

REV.	ECN	DESCRIPTION	BY/DATE	CHK	APPR
A	11986	INITIAL RELEASE	JS 06/29/15	LA	LN



- 3 MOUNTING SCREWS 8-32 UNC-2A (DYTRAN MODEL 6535) SUPPLIED
 - 2. MAX TEMP 900 °F APPLIES ONLY TO THE DESIGNATED AREA OF THE SYSTEM
 - 1. NOMINAL SENSITIVITY 1.6pC/G
- NOTES UNLESS OTHERWISE SPECIFIED

USED ON	NEXT ASSY
APPLICATION	
THIRD ANGLE PROJECTION USA	

UNLESS OTHERWISE SPECIFIED:
 INTERPRET DIM & TOL PER ASME Y14.5M - 1994.
 REMOVE BURRS.
 COUNTERSINK INTERNAL THDS 90° TO MAJOR DIA.
 CHAM EXT THDS 45° TO MINOR DIA.
 THD LENGTHS AND DEPTHS ARE FOR MIN FULL THDS.
 THDS PER MIL-S-7742.
 DIMENSIONS APPLY AFTER FINISHING.
 ALL MACHINED SURFACES.
 TOTAL RUNOUT WITHIN .005.
 BREAK SHARP EDGES .005 TO .010.
 MACHINED FILLET RADII .005 TO .015.
 WELDING SYMBOLS PER AWS A2.4.
 ABBREVIATIONS PER MIL-STD-12.

UNLESS OTHERWISE SPECIFIED:
 DIMENSIONS ARE IN INCHES.
 DIMENSIONS IN BRACKETS [] ARE IN MILLIMETERS
 TOLERANCES ARE:

INCH	METRIC	ANGLES
XX ± .03	X ± 0.8	± 1°
XXX ± .010	XX ± 0.25	

MATERIAL

FINISH

DO NOT SCALE DRAWING

CONTRACT NO.

APPROVALS		DATE
ORIG	JS	06/19/15
CHK	LA	6/29/15
APP	LN	6/29/15
APP	RT	6/29/15

MASTER COPY ONLY IF IN RED
Chatsworth, CA

TITLE:
OUTLINE/ INSTALLATION DRAWING MODEL 3218C-5

SIZE	CAGE CODE	DWG. NO.	REV
A	2W033	127-3218C-5	A

SCALE: 1:2 SOLIDWORKS SHEET 1 OF 1



- HIGH TEMPERATURE OPERATION
- EXTREME STABILITY OVER TEMPERATURE
- HERMETICALLY SEALED

PHYSICAL

Weight, Max. Accelerometer
 Accelerometer and Cable
 Size, (Mounting dia x Height x Length) Height
 Mounting diam. Diameter
 Length
 Connector [1] Material
 Type
 Housing Material
 Isolation Pins to Housing
 Sensing Element Material
 Mode

ENGLISH		SI	
5.5	oz	157	grams
8.40	oz	240	grams
0.77	inches	19.43	mm
Ø1.19	inches	Ø30.20	mm
60 - 64	inches	1524 - 1625.6	mm
300 Series S.S.		300 Series S.S.	
3 Pin		3 Pin	
300 Series S.S.		300 Series S.S.	
10GΩ MIN		10GΩ MIN	
LGT		LGT	
Compression		Compression	

PERFORMANCE

Sensitivity [2] pC/g
 Acceleration Range g peak
 Frequency Range, ±10% [4] -10,000 Hz
 Resonance Frequency > 35 kHz
 Transverse Sensitivity, Max. 5 %
 Insulation Resistance (75°F) 10 GΩ
 Insulation Resistance (400°F) 10 GΩ
 Insulation Resistance (700°F) 3.5 MΩ
 Insulation Resistance (900°F) 485 kΩ
 Operating Temperature -60 to 900 °F
 Capacitance, pin to pin 80 pF
 Unbalance between pins <2 pF
 Linearity 1 %

1.6	pC/g	0.16	pC/m/s
[3]	g peak	[3]	m/s ² peak
[4] -10,000	Hz	[4] -10,000	Hz
> 35	kHz	> 35	kHz
5	%	5	%
10	GΩ	10	GΩ
10	GΩ	10	GΩ
3.5	MΩ	3.5	MΩ
485	kΩ	485	kΩ
-60 to 900	°F	-51 to 482	°C
80	pF	80	pF
<2	pF	<2	pF
1	%	1	%

ENVIRONMENTAL

Maximum Vibration 1000 Gpeak
 Maximum Shock 2000 Gpeak
 Seal Hermetic
 Magnetic Sensitivity at 100 Gauss 0.00007 g/Gauss
 Base Strain Sensitivity 0.05 g/με

1000	Gpeak	9810	m/s ² peak
2000	Gpeak	19620	m/s ² peak
Hermetic		Hermetic	
0.00007	g/Gauss	0.00069	m/s ² Gauss
0.05	g/με	0.4905	m/s ² /με

This family also includes:

Model	Sensitivity (mV/g)	Frequency Response (Hz)	Time Constant (Sec)	Operating Temp (°F)

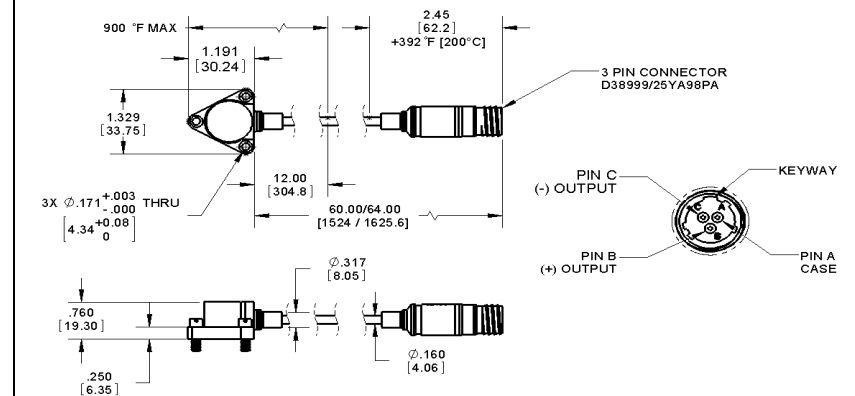
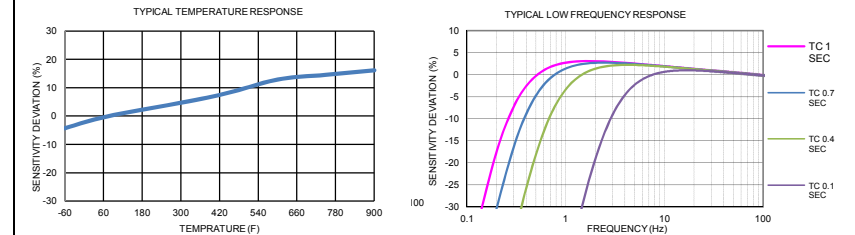
Refer to the performance specifications of the products in this family for detailed description

Supplied Accessories:

- 1) Model 6535 mounting screw (3)
- 2) Accredited Calibration Certificate (ISO 17025)

Notes:

- [1] D38999/25YA98PA Series III connector. Mates With D38999/26WA98SA Connector
- [2] Actual sensitivity is given on a calibration certificate
- [3] Depends on the gain setting of the charge amplifier used
- [4] Low frequency response is the function of the discharge time constant of the charge amplifier used. Please, Refer to the plot below for frequency response for different time constants.



Units on the line drawing are in inches, units in brackets are in millimeters. Refer to 127-3218C-5 for more information.

