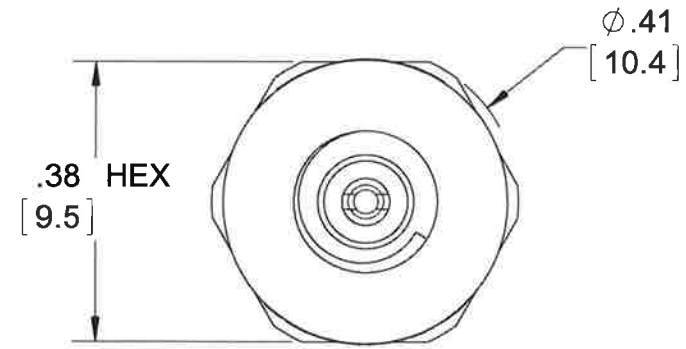


PROPRIETARY AND CONFIDENTIAL

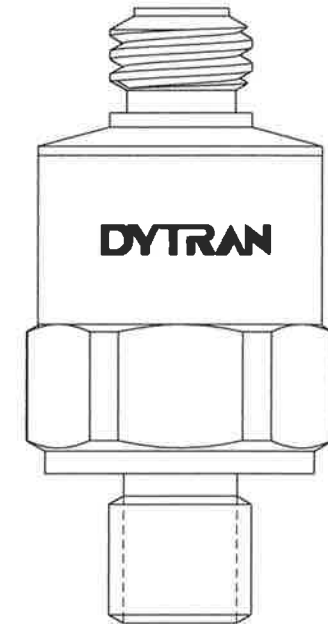
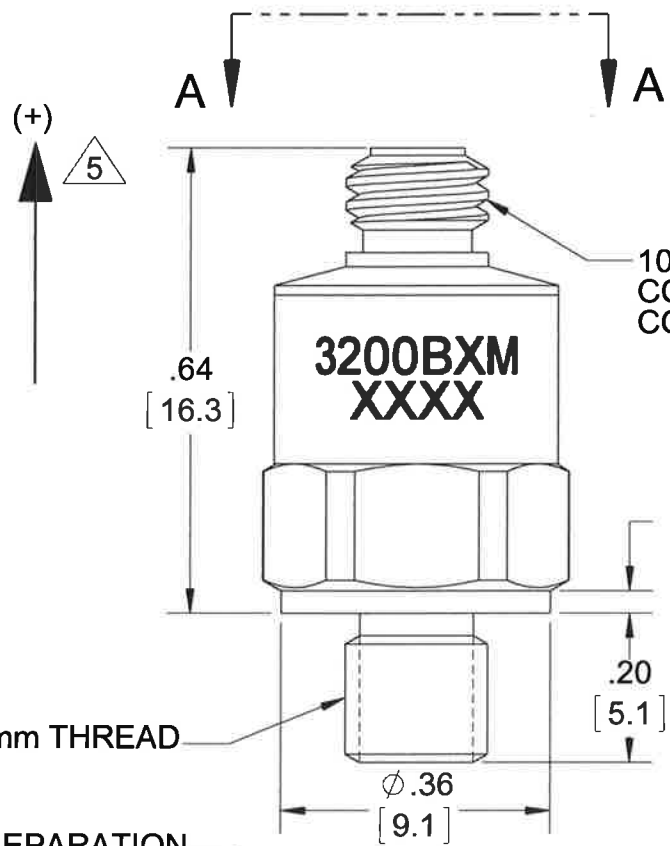
THE INFORMATION CONTAINED IN THIS DRAWING IS THE SOLE PROPERTY OF DYTRAN INSTRUMENTS INC. ANY REPRODUCTION IN PART OR AS A WHOLE WITHOUT THE WRITTEN PERMISSION OF DYTRAN INSTRUMENTS INC. IS PROHIBITED

REVISIONS

| REV. | ECN | DESCRIPTION | BY/DATE | CHK | APPR |
|------|-------|-----------------|----------------|-----|------|
| A | 11055 | INITIAL RELEASE | EC 08/05/14 | JLS | |



VIEW A-A



MOUNTING HOLE PREPARATION
TAP M6 X 1.0 X 6mm [.236] MIN DEPTH
OF PERFECT THREAD. HOLE TO BE
PERPENDICULAR WITHIN ±1°

3200BM SERIES

5 ARROW INDICATES SENSE AND DIRECTION OF ACCELERATION FOR POSITIVE - GOING OUTPUT SIGNAL

4 PREPARE FLAT SURFACE TO THIS DIA. WITH A FINISH OF OR BETTER AND FLAT TO .001 TIR.

3 PREPARE MOUNTING SURFACE AS SHOWN. APPLY A LAYER OF SILICONE GREASE TO MOUNTING SURFACE. TORQUE IN PLACE WITH 50 LB-IN.

2. HOUSING MATERIAL: 17-4 PH STAINLESS STEEL

1. WEIGHT: 6 GRAMS MAX

NOTES: UNLESS OTHERWISE SPECIFIED

| | | | | |
|--|--|---|--|--|
| <small>UNLESS OTHERWISE SPECIFIED: INTERPRET DIM & TOL PER ASME Y14.5M - 1994. REMOVE BURRS. COUNTERSINK INTERNAL THDS 90° TO MAJOR DIA. CHAM EXT THDS 45° TO MINOR DIA. THD LENGTHS AND DEPTHS ARE FOR MIN FULL THDS. DIMENSIONS APPLY AFTER FINISHING.</small> | <small>UNLESS OTHERWISE SPECIFIED: DIMENSIONS ARE IN INCHES. DIMENSIONS IN BRACKETS [] ARE IN MILLIMETERS TOLERANCES ARE:</small> | | | |
| | <small>DECIMALS</small> .XX ±.03 .XXX ±.010 | <small>METRIC</small> .X ± 0.8 .XX ±0.25 | | |
| | <small>APPROVALS</small> ORIG EC CHK EC APP | <small>DATE</small> 08/05/14 08/05/14 8/8/14 | <small>SIZE</small> B | <small>CAGE CODE</small> 2W033 |
| | <small>DO NOT SCALE DRAWING</small> | <small>THIRD ANGLE PROJECTION</small> | <small>DWG NO</small> 127-3200BM | <small>REV</small> A |
| <small>ALL MACHINED SURFACES. TOTAL RUNOUT WITHIN .005. BREAK SHARP EDGES .005 TO .010. MACHINED FILLET RADII .005 TO .015. WELDING SYMBOLS PER AWS A2.4. ABBREVIATIONS PER MIL-STD-12.</small> | | <small>SCALE:</small> 4:1 | <small>SHEET 1 OF</small> 1 | |

| | | |
|--------------------------------------|--|----------------------------------|
| MODEL NUMBER 3200BM | PERFORMANCE SPECIFICATION | DOC NO PS3200BM |
| | SINGLE AXIS ACCELEROMETER, IEPE | REV B, ECN 12864, 08/12/16 |



PHYSICAL

| | | |
|--------------------|--------------|----|
| Weight | 0.21 | oz |
| Mounting Provision | M6 X 1.0 | |
| Connector | Coaxial | |
| Material Body | 17-4 PH S.S. | |
| Sensing Element | Quartz | |

| ENGLISH | SI |
|--------------------|---------------|
| Weight | 6.0 grams |
| Mounting Provision | M6 X 1.0 |
| Connector | Coaxial |
| Thread | 10-32 UNF-2A |
| Material | 17-4 PH S.S. |
| Isolation | Case Isolated |
| Material | Quartz |
| Mode | Compression |

PERFORMANCE

| | | |
|------------------------------|---------------|------|
| Sensitivity +/- 10% [1] | 0.05 | mV/g |
| Maximum Range F.S. | 70000 | g |
| Frequency Response, ± 5% | .50 to 10000 | Hz |
| ± 10% | .35 to 20000 | Hz |
| ± 3db | .16 to >50000 | Hz |
| Mounted Resonant Frequency | > 90 | kHz |
| Electrical Noise | 1.4 | Grms |
| Linearity [2] | ± 1% | %F.S |
| Transverse Sensitivity, Max. | 3 | % |

| | | |
|------------------------------|---------------|----------------------|
| Sensitivity | 0.005 | mV/ m/s ² |
| Maximum Range | 686000 | m/s ² |
| Frequency Response | .50 to 10000 | Hz |
| ± 10% | .35 to 20000 | Hz |
| ± 3db | .16 to >50000 | Hz |
| Mounted Resonant Frequency | > 90 | kHz |
| Electrical Noise | 13.73 | m/s ² rms |
| Linearity [2] | ± 1% | %F.S |
| Transverse Sensitivity, Max. | 3 | % |

ENVIRONMENTAL

| | | |
|----------------------|-------------|--------|
| Maximum Shock (peak) | ± 100000 | G peak |
| Temperature Range | -60 to +250 | °F |
| Seal | Epoxy | |

| | | |
|----------------------|-------------|-----------------------|
| Maximum Shock (peak) | ± 981000 | m/s ² peak |
| Temperature Range | -51 to +121 | °C |
| Seal | Epoxy | |

ELECTRICAL

| | | |
|--------------------------|---------------|-----|
| Power Supply [3] | 2 to 20 | mA |
| Compliance Voltage Range | +18 to +30 | V |
| Output Impedance | 100 | Ω |
| Bias Voltage | +7.5 to +9.5 | VDC |
| Discharge Time Constant | 1 to 1.5 | sec |
| Electrical Isolation [4] | 10 | GΩ |
| Grounding | Case Isolated | |

| | | |
|--------------------------|---------------|-----|
| Power Supply [3] | 2 to 20 | mA |
| Compliance Voltage Range | +18 to +30 | V |
| Output Impedance | 100 | Ω |
| Bias Voltage | +7.5 to +9.5 | VDC |
| Discharge Time Constant | 1 to 1.5 | sec |
| Electrical Isolation [4] | 10 | GΩ |
| Grounding | Case Isolated | |

This family also includes:

| Model | Sensitivity (mV/g) | Range (Gpeak) | Resolution (Grms) | Oper. Temp(°F) | Time Constant (Sec) |
|---------|--------------------|---------------|-------------------|----------------|---------------------|
| 3200B2M | 0.1 | 50000 | 0.7 | -60 to +250 | 1.0 to 1.5 |
| 3200B3M | 0.25 | 20000 | 0.28 | -60 to +250 | 1.0 to 1.5 |
| 3200B4M | 0.5 | 10000 | 0.14 | -60 to +250 | 1.0 to 1.5 |
| 3200B5M | 1.0 | 5000 | 0.07 | -60 to +250 | 1.0 to 1.5 |
| 3200B6M | 2.0 | 2500 | 0.035 | -60 to +250 | 1.0 to 1.5 |

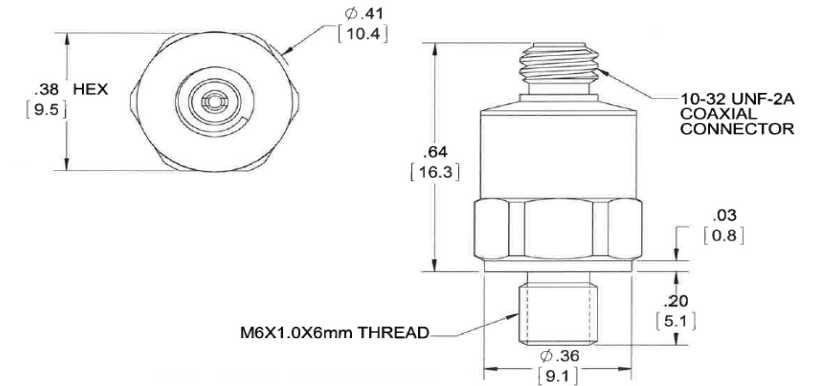
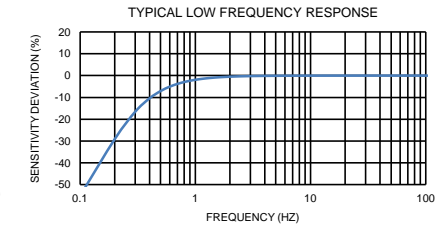
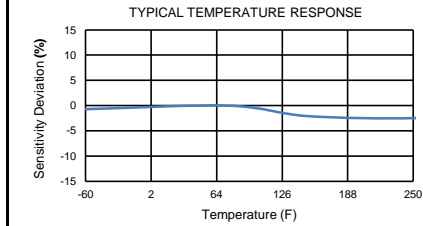
Refer to the performance specifications of the products in this family for detailed description.

Supplied Accessories:

- 1) Accredited calibration certificate (ISO 17025)

Notes:

- [1] Measured at 100 Hz, 1 GRMS per ISA RP 37.2.
- [2] Measured using zero-based best straight-line method, % of F.S. or any lesser range.
- [3] Do not apply power to this device without current limiting, 20 mA MAX. To do so will destroy the integral IC amplifier.
- [4] Case ground to mounting surface.



Units on the line drawing are in inches, units in brackets are in millimeters. Refer to 127-3200BM for more information.



21592 Marilla Street, Chatsworth, California 91311 Phone: 818.700.7818 Fax:818.700.7880
www.dytran.com For permission to reprint this content, please contact info@dytran.com