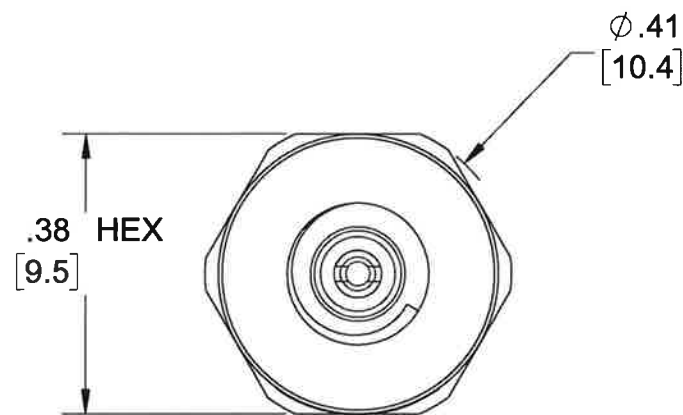


PROPRIETARY AND CONFIDENTIAL

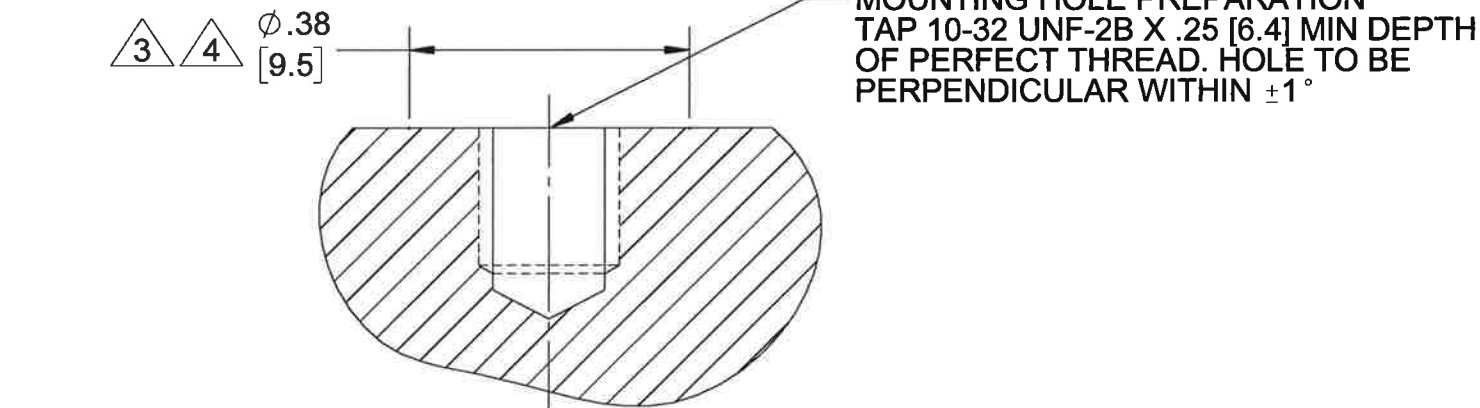
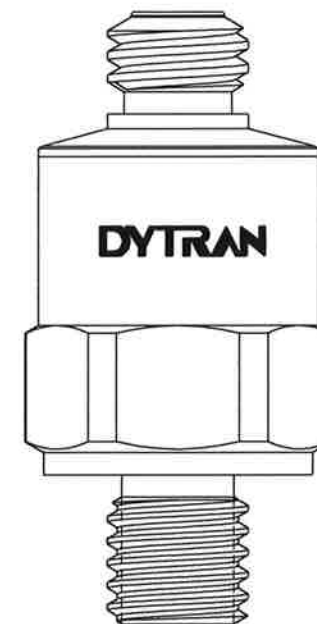
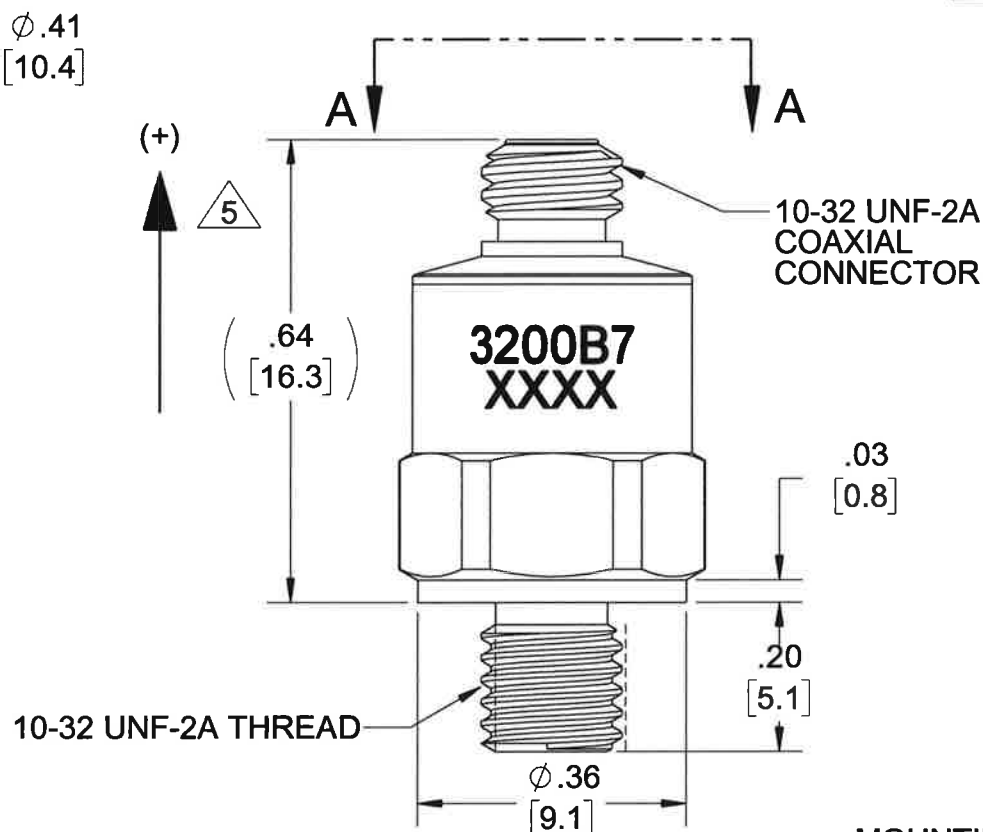
THE INFORMATION CONTAINED IN THIS DRAWING IS THE SOLE PROPERTY OF DYTRAN INSTRUMENTS INC. ANY REPRODUCTION IN PART OR AS A WHOLE WITHOUT THE WRITTEN PERMISSION OF DYTRAN INSTRUMENTS INC. IS PROHIBITED

REVISIONS

REV.	ECN	DESCRIPTION	BY/DATE	CHK	APPR
A	14125	INITIAL RELEASE. MARKING IS: "3200B7"; WAS: "3200BXX"	KG 03/27/18	<i>Dv</i>	<i>MH</i>



VIEW A-A



5 ARROW INDICATES SENSE AND DIRECTION OF ACCELERATION FOR POSITIVE - GOING OUTPUT SIGNAL

4 PREPARE FLAT SURFACE TO THIS DIA. WITH A FINISH OF OR BETTER AND FLAT TO .001 TIR.

3 PREPARE MOUNTING SURFACE AS SHOWN. APPLY A LAYER OF SILICONE GREASE TO MOUNTING SURFACE. TORQUE IN PLACE WITH 30 LB-IN.

2. HOUSING MATERIAL: 17-4 PH STAINLESS STEEL

1. WEIGHT: 6 GRAMS MAX

NOTES: UNLESS OTHERWISE SPECIFIED

UNLESS OTHERWISE SPECIFIED: INTERPRET DIM & TOL PER ASME Y14.5M - 1994. REMOVE BURRS. COUNTERSINK INTERNAL THDS 90° TO MAJOR DIA. CHAM EXT THDS 45° TO MINOR DIA. THD LENGTHS AND DEPTHS ARE FOR MIN FULL THDS. DIMENSIONS APPLY AFTER FINISHING.	UNLESS OTHERWISE SPECIFIED: DIMENSIONS ARE IN INCHES. DIMENSIONS IN BRACKETS ARE IN MILLIMETERS TOLERANCES ARE:			TITLE: <b>OUTLINE/INSTALLATION DRAWING, MODEL 3200B7, SHOCK ACCELEROMETER</b>	
	DECIMALS .XX ±.03 .XXX ±.010	METRIC .X ±0.8 .XX ±0.25		ANGLES ±1°	APPROVALS
ALL MACHINED SURFACES. TOTAL RUNOUT WITHIN .005. BREAK SHARP EDGES .005 TO .010. MACHINED FILLET RADII .005 TO .015. WELDING SYMBOLS PER AWS A2.4. ABBREVIATIONS PER MIL-STD-12.	ORIG	CHK	DATE	DATE	SCALE: 4:1
	APP	DATE	DATE	DATE	SHEET 1 OF 1

<b>MODEL NUMBER</b> <b>3200B7</b>	<b>PERFORMANCE SPECIFICATION</b>	<b>DOC NO</b> <b>PS3200B7</b>
	<b>SINGLE AXIS ACCELEROMETER, IEPE</b>	REV A, ECN 14125, 03/27/18



**LIGHTWEIGHT  
HIGH NATURAL FREQUENCY  
BASE ISOLATED**

**PHYSICAL**

Weight	Stud	10-32 UNF-2A
Mounting Provision	Type	Coaxial
Connector	Thread	10-32 UNF-2A
Material Body	Material	17-4 PH S.S.
Sensing Element	Material	Quartz
	Mode	Compression

ENGLISH		SI
0.21	oz	6.0
10-32 UNF-2A		10-32 UNF-2A
Coaxial		Coaxial
10-32 UNF-2A		10-32 UNF-2A
17-4 PH S.S.		17-4 PH S.S.
Quartz		Quartz
Compression		Compression

**PERFORMANCE**

Sensitivity +/- 10% [1]	0.1	mV/g
Maximum Range F.S.	10000	g
Frequency Response, ± 5%	1.5 to 5000	Hz
± 10%	1.0 to 7000	Hz
± 3dt	0.5 to 10000	Hz
Mounted Resonant Frequency	> 90	kHz
Electrical Noise	0.7	Grms
Linearity [2]	± 1%	%F.S
Transverse Sensitivity, Max.	3	%

0.01	mV/ m/s <sup>2</sup>
98000	m/s <sup>2</sup>
1.5 to 5000	Hz
1.0 to 7000	Hz
0.5 to 10000	Hz
> 90	kHz
6.87	m/s <sup>2</sup> rms
± 1%	%F.S
3	%

**ENVIRONMENTAL**

Maximum Shock (peak)	± 100000	G peak
Temperature Range	-40 to +347	°F
Seal	Epoxy	

± 981000	m/s <sup>2</sup> peak
-40 to +175	°C
Epoxy	

**ELECTRICAL**

Power Supply [3]	2 to 20	mA
Compliance Voltage Range	+4.5 to +20	V
Output Impedance	100	Ω
Bias Voltage	+1.7 to +3.4	VDC
Discharge Time Constant	1 to 1.5	sec
Electrical Isolation [4]	10	GΩ
Grounding	Base Isolated	

2 to 20	mA
+4.5 to +20	V
100	Ω
+1.7 to +3.4	VDC
1 to 1.5	sec
10	GΩ
Base Isolated	

**This family also includes:**

Model	Sensitivity (mV/g)	Range (Gpeak)	Resolution (Grms)	Oper. Temp(°F)	Time Constant (Sec)

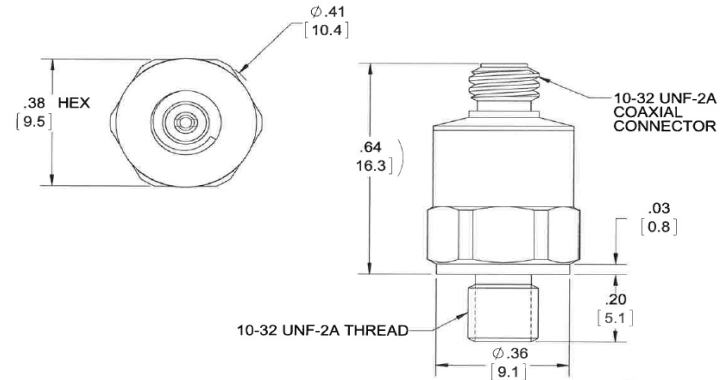
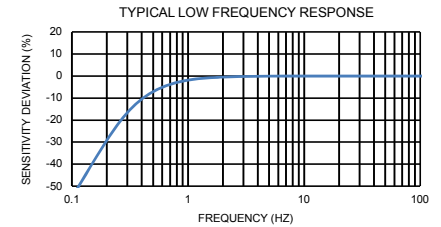
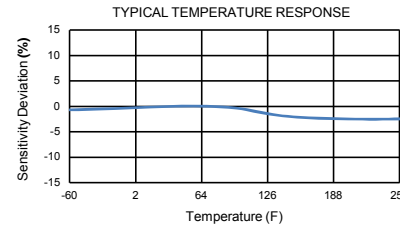
Refer to the performance specifications of the products in this family for detailed description.

**Supplied Accessories:**

- 1) Accredited calibration certificate (ISO 17025)

**Notes:**

- [1] Measured at 100 Hz, 1 GRMS per ISA RP 37.2.
- [2] Measured using zero-based best straight-line method, % of F.S. or any lesser range.
- [3] Do not apply power to this device without current limiting, 20 mA MAX. To do so will destroy the integral IC amplifier.
- [4] Case ground to mounting surface.



Units on the line drawing are in inches, units in brackets are in millimeters. Refer to 127-3200B7 for more information.



21592 Marilla Street, Chatsworth, California 91311 Phone: 818.700.7818 Fax: 818.700.7880 www.dytran.com For permission to reprint this content, please contact info@dytran.com