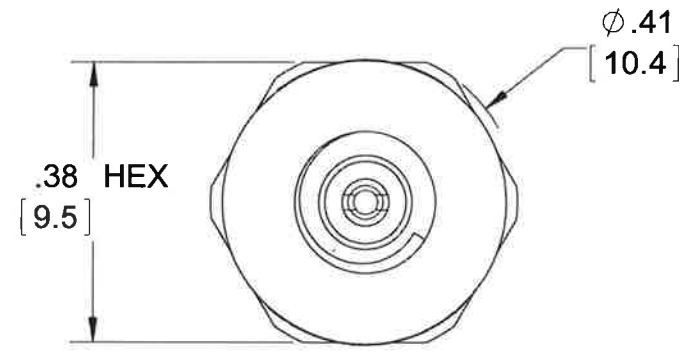


PROPRIETARY AND CONFIDENTIAL

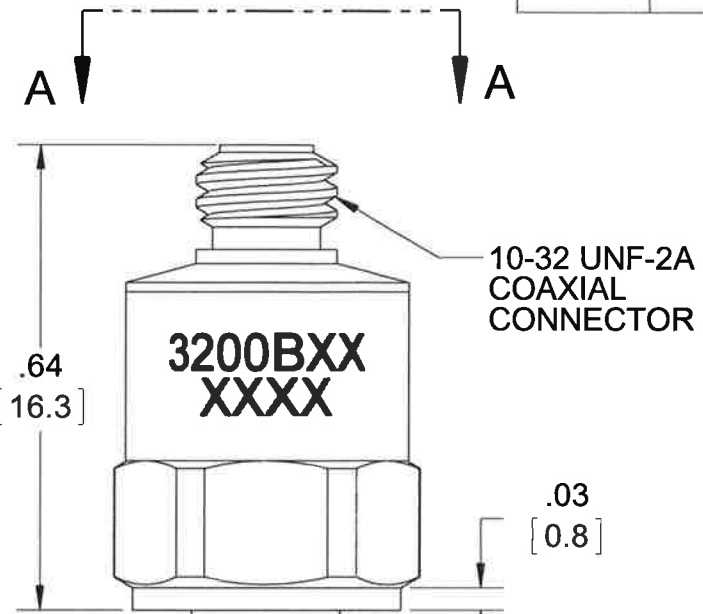
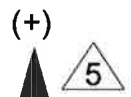
THE INFORMATION CONTAINED IN THIS DRAWING IS THE SOLE PROPERTY OF DYTRAN INSTRUMENTS INC. ANY REPRODUCTION IN PART OR AS A WHOLE WITHOUT THE WRITTEN PERMISSION OF DYTRAN INSTRUMENTS INC. IS PROHIBITED

REVISIONS

REV.	ECN	DESCRIPTION	BY/DATE	CHK	APPR
E	11055	UPDATED VIEWS. CONVERTED TO SOLIDWORKS	EC 07/02/14	JLS	



VIEW A-A

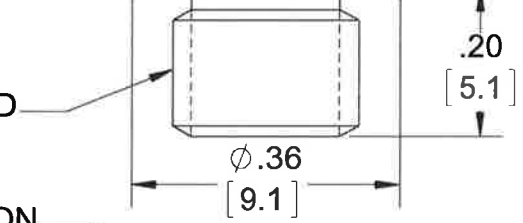


10-32 UNF-2A COAXIAL CONNECTOR

3200BXX  
XXXX

1/4-28 UNF-2A THREAD

MOUNTING HOLE PREPARATION  
TAP 1/4-28 UNF-2B X .25 [6.4] MIN DEPTH  
OF PERFECT THREAD. HOLE TO BE  
PERPENDICULAR WITHIN ±1°

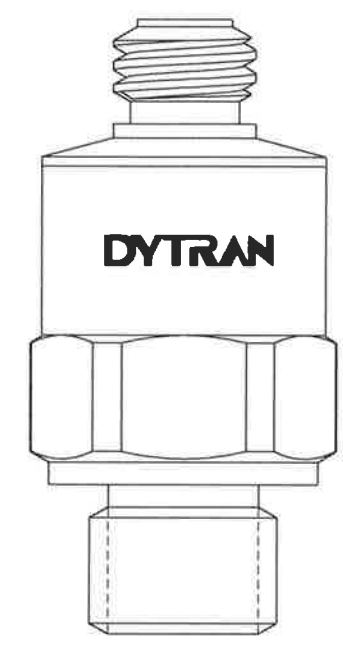


.03  
[0.8]

.20  
[5.1]

φ.36  
[9.1]

φ.38  
[9.5] 3 4



DYTRAN

3200B SERIES

5 ARROW INDICATES SENSE AND DIRECTION OF ACCELERATION FOR POSITIVE - GOING OUTPUT SIGNAL

4 PREPARE FLAT SURFACE TO THIS DIA. WITH A FINISH OF OR BETTER AND FLAT TO .001 TIR.

3 PREPARE MOUNTING SURFACE AS SHOWN. APPLY A LAYER OF SILICONE GREASE TO MOUNTING SURFACE. TORQUE IN PLACE WITH 50 LB-IN.

2. HOUSING MATERIAL: 17-4 PH STAINLESS STEEL

1. WEIGHT: 6 GRAMS MAX

NOTES: UNLESS OTHERWISE SPECIFIED

<small>UNLESS OTHERWISE SPECIFIED: INTERPRET DIM &amp; TOL PER ASME Y14.5M - 1994. REMOVE BURRS. COUNTERSINK INTERNAL THDS 90° TO MAJOR DIA. CHAM EXT THDS 45° TO MINOR DIA. THD LENGTHS AND DEPTHS ARE FOR MIN FULL THDS. DIMENSIONS APPLY AFTER FINISHING.</small>	<small>UNLESS OTHERWISE SPECIFIED: DIMENSIONS ARE IN INCHES. DIMENSIONS IN BRACKETS [ ] ARE IN MILLIMETERS TOLERANCES ARE:</small>				
	<small>DECIMALS</small> .XX ±.03 .XXX ±.010	<small>METRIC</small> .X ± 0.8 .XX ±0.25	<small>ANGLES</small> ±1°	<small>TITLE:</small> <b>OUTLINE/INSTALLATION DRAWING,            SERIES 3200B, LIVM, SHOCK            ACCELEROMETERS</b>	
	<small>APPROVALS</small> ORIG NC CHK NC APP	<small>DATE</small> 11/30/81 11/30/81 8/8/14	<small>SIZE</small> <b>B</b>	<small>CAGE CODE</small> <b>2W033</b>	<small>DWG NO</small> <b>127-3200B</b>
	<small>DO NOT SCALE DRAWING</small>	<small>THIRD ANGLE PROJECTION</small> 	<small>SCALE:</small> 4:1	<small>REV</small> <b>E</b>	<small>SHEET 1 OF 1</small>

<b>MODEL NUMBER</b> <b>3200B6</b>	<b>PERFORMANCE SPECIFICATION</b>	<b>DOC NO</b> <b>PS3200B6</b>
	<b>SINGLE AXIS ACCELEROMETER, IEPE</b>	REV C, ECN 14019, 02/08/18



**LIGHTWEIGHT  
HIGH NATURAL FREQUENCY  
BASE ISOLATED**

**PHYSICAL**

Weight	0.21 oz	6.0 grams
Mounting Provision	1/4-28 UNF-2A	1/4-28 UNF-2A
Connector	Coaxial	Coaxial
Material Body	10-32 UNF-2A	10-32 UNF-2A
Sensing Element	17-4 PH S.S.	17-4 PH S.S.
	Quartz	Quartz
	Compression	Compression

**PERFORMANCE**

Sensitivity +/- 10% [1]	2.0 mV/g	0.2 mV/m/s <sup>2</sup>
Maximum Range F.S.	2500 g	24500 m/s <sup>2</sup>
Frequency Response, ± 5%	.50 to 10000 Hz	.50 to 10000 Hz
± 10%	.35 to 20000 Hz	.35 to 20000 Hz
± 3db	.16 to >50000 Hz	.16 to >50000 Hz
Mounted Resonant Frequency	> 90 kHz	> 90 kHz
Electrical Noise	0.035 Grms	0.34 m/s <sup>2</sup> rms
Linearity [2]	± 1% %F.S	± 1% %F.S
Transverse Sensitivity, Max.	3 %	3 %

**ENVIRONMENTAL**

Maximum Shock (peak)	± 50000 G peak	± 490500 m/s <sup>2</sup> peak
Temperature Range	-60 to +250 °F	-51 to +121 °C
Seal	Epoxy	Epoxy

**ELECTRICAL**

Power Supply [3]	2 to 20 mA	2 to 20 mA
Compliance Voltage Range	+18 to +30 V	+18 to +30 V
Output Impedance	100 Ω	100 Ω
Bias Voltage	+7.5 to +9.5 VDC	+7.5 to +9.5 VDC
Discharge Time Constant	1 to 1.5 sec	1 to 1.5 sec
Electrical Isolation [4]	10 GΩ	10 GΩ
Grounding	Base Isolated	Base Isolated

**This family also includes:**

Model	Sensitivity (mV/g)	Range (Gpeak)	Resolution (Grms)	Oper. Temp(°F)	Time Constant (Sec)
3200B	0.05	70000	1.4	-60 to +250	1.0 to 1.5
3200B2	0.1	50000	0.7	-60 to +250	1.0 to 1.5
3200B3	0.25	20000	0.28	-60 to +250	1.0 to 1.5
3200B4	0.5	10000	0.14	-60 to +250	1.0 to 1.5
3200B5	1.0	5000	0.07	-60 to +250	1.0 to 1.5

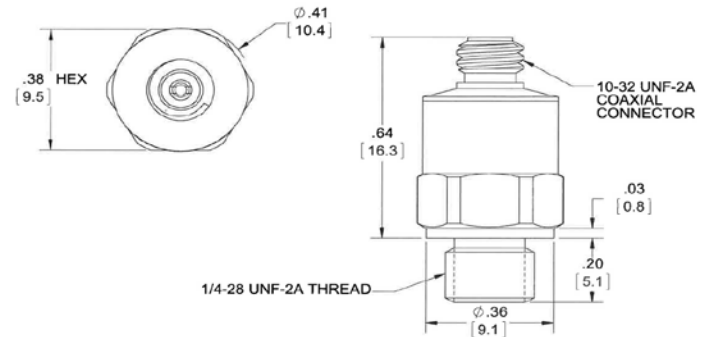
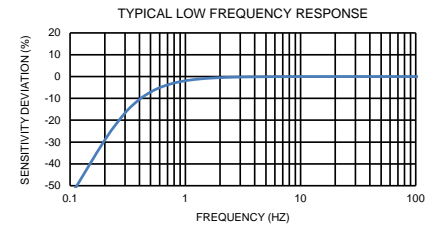
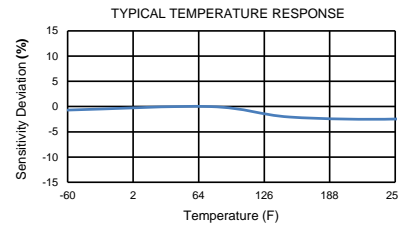
Refer to the performance specifications of the products in this family for detailed description.

**Supplied Accessories:**

- 1) Accredited calibration certificate (ISO 17025)

**Notes:**

- [1] Measured at 100 Hz, 1 GRMS per ISA RP 37.2.
- [2] Measured using zero-based best straight-line method, % of F.S. or any lesser range.
- [3] Do not apply power to this device without current limiting, 20 mA MAX. To do so will destroy the integral IC amplifier.
- [4] Case ground to mounting surface.



Units on the line drawing are in inches, units in brackets are in millimeters. Refer to 127-3200B for more information.



21592 Marilla Street, Chatsworth, California 91311 Phone: 818.700.7818 Fax:818.700.7880 www.dytran.com For permission to reprint this content, please contact info@dytran.com