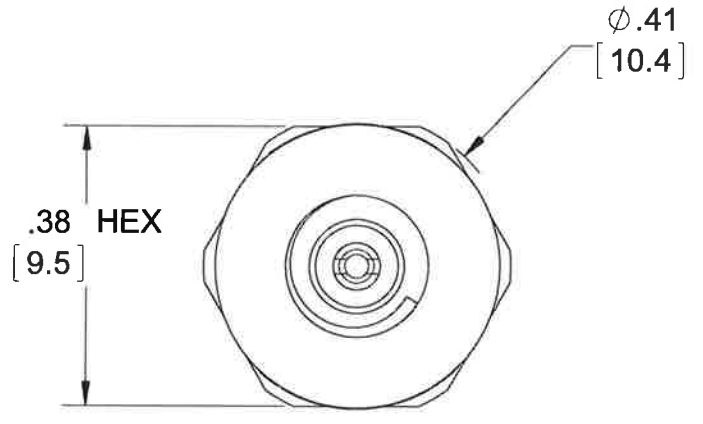


PROPRIETARY AND CONFIDENTIAL

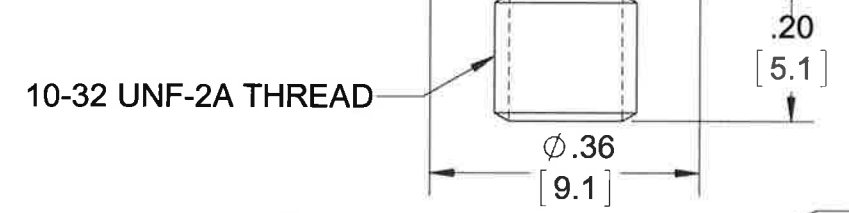
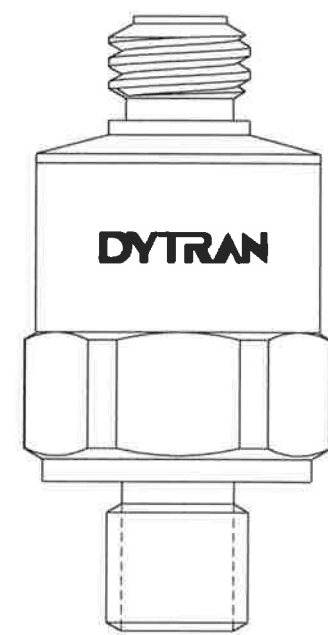
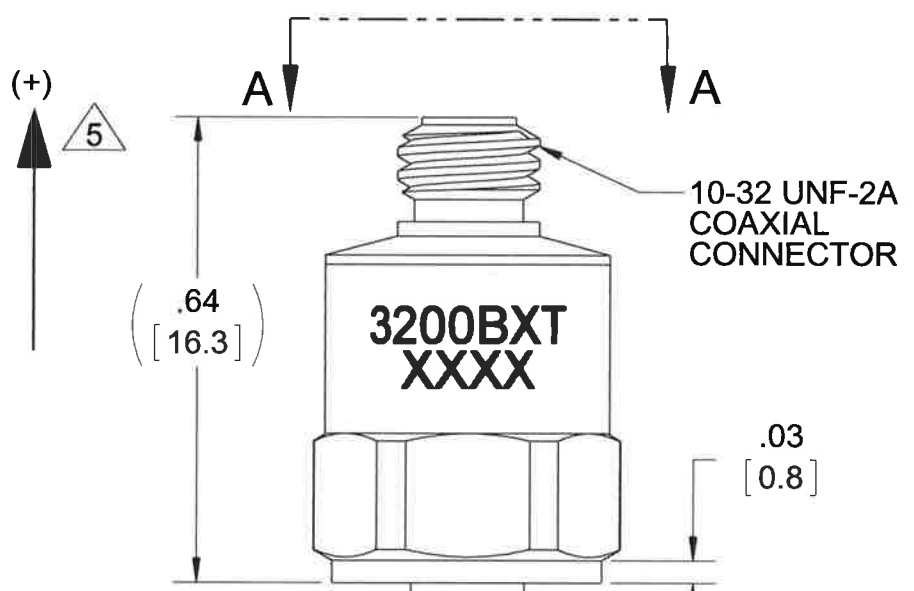
THE INFORMATION CONTAINED IN THIS DRAWING IS THE SOLE PROPERTY OF DYTRAN INSTRUMENTS INC. ANY REPRODUCTION IN PART OR AS A WHOLE WITHOUT THE WRITTEN PERMISSION OF DYTRAN INSTRUMENTS INC. IS PROHIBITED

REVISIONS

| REV. | ECN | DESCRIPTION | BY/DATE | CHK | APPR |
|------|-------|-----------------|----------------|-----|-------------|
| A | 11055 | INITIAL RELEASE | EC 08/05/14 | JLS | [Signature] |



VIEW A-A



MOUNTING HOLE PREPARATION
TAP 10-32 UNF-2B X .25 [6.4] MIN DEPTH
OF PERFECT THREAD. HOLE TO BE
PERPENDICULAR WITHIN ±1°

3200BT SERIES

5 ARROW INDICATES SENSE AND DIRECTION OF ACCELERATION FOR POSITIVE - GOING OUTPUT SIGNAL

4 PREPARE FLAT SURFACE TO THIS DIA. WITH A FINISH OF OR BETTER AND FLAT TO .001 TIR. 63/

3 PREPARE MOUNTING SURFACE AS SHOWN. APPLY A LAYER OF SILICONE GREASE TO MOUNTING SURFACE. TORQUE IN PLACE WITH 30 LB-IN.

2. HOUSING MATERIAL: 17-4 PH STAINLESS STEEL

1. WEIGHT: 6 GRAMS MAX

NOTES: UNLESS OTHERWISE SPECIFIED

UNLESS OTHERWISE SPECIFIED:
INTERPRET DIM & TOL PER ASME Y14.5M - 1994.
REMOVE BURRS.
COUNTERSINK INTERNAL THDS 90° TO MAJOR DIA.
CHAM EXT THDS 45° TO MINOR DIA.
THD LENGTHS AND DEPTHS ARE FOR MIN FULL THDS.
DIMENSIONS APPLY AFTER FINISHING.

ALL MACHINED SURFACES: 63/
TOTAL RUNOUT WITHIN .005.
BREAK SHARP EDGES .005 TO .010.
MACHINED FILLET RADII .005 TO .015.
WELDING SYMBOLS PER AWS A2.4.
ABBREVIATIONS PER MIL-STD-12.

| DECIMALS | | METRIC | | ANGLES |
|------------|-----------|----------|---------|--------|
| .XX ±.03 | .X ±.08 | .XX ±.03 | .X ±.08 | ±1° |
| .XXX ±.010 | .XX ±0.25 | | | |

| APPROVALS | | DATE |
|-----------|-------------|----------|
| ORIG | EC | 08/05/14 |
| CHK | EC | 08/05/14 |
| APP | [Signature] | 8/8/14 |

DO NOT SCALE DRAWING

THIRD ANGLE PROJECTION

DYTRAN MASTER INSTRUMENTS, INC. Chatsworth, CA ONLY IF IN RED

TITLE: **OUTLINE/INSTALLATION DRAWING, SEIRES 3200BT LIVM, SHOCK ACCELEROMETERS**

| | | | |
|---------------|------------------------|--------------------------|--------------|
| SIZE B | CAGE CODE 2W033 | DWG NO 127-3200BT | REV A |
|---------------|------------------------|--------------------------|--------------|

SCALE: 4:1 SHEET 1 OF 1

| | | |
|---------------------------------------|--|-----------------------------------|
| MODEL NUMBER 3200B4T | PERFORMANCE SPECIFICATION | DOC NO PS3200B4T |
| | SINGLE AXIS ACCELEROMETER, IEPE | REV B, ECN 12864, 08/12/16 |



PHYSICAL

| | | |
|--------------------|--------------|----|
| Weight | 0.21 | oz |
| Mounting Provision | 10-32 UNF-2A | |
| Connector | Coaxial | |
| Material Body | 17-4 PH S.S. | |
| Sensing Element | Quartz | |

| ENGLISH | SI |
|--------------------|---------------|
| Weight | 6.0 grams |
| Mounting Provision | 10-32 UNF-2A |
| Connector | Coaxial |
| Thread | 10-32 UNF-2A |
| Material | 17-4 PH S.S. |
| Isolation | Case Isolated |
| Material | Quartz |
| Mode | Compression |

PERFORMANCE

| | | |
|------------------------------|---------------|------|
| Sensitivity +/- 10% [1] | 0.5 | mV/g |
| Maximum Range F.S. | 10000 | g |
| Frequency Response, ± 5% | .50 to 10000 | Hz |
| ± 10% | .35 to 20000 | Hz |
| ± 3db | .16 to >50000 | Hz |
| Mounted Resonant Frequency | > 90 | kHz |
| Electrical Noise | 0.14 | Grms |
| Linearity [2] | ± 1% | %F.S |
| Transverse Sensitivity, Max. | 3 | % |

| | | |
|------------------------|---------------|----------------------|
| Sensitivity | 0.05 | mV/m/s ² |
| Maximum Range | 98000 | m/s ² |
| Frequency Response | .50 to 10000 | Hz |
| ± 10% | .35 to 20000 | Hz |
| ± 3db | .16 to >50000 | Hz |
| Resonant Frequency | > 90 | kHz |
| Electrical Noise | 1.4 | m/s ² rms |
| Linearity [2] | ± 1% | %F.S |
| Transverse Sensitivity | 3 | % |

ENVIRONMENTAL

| | | |
|----------------------|-------------|--------|
| Maximum Shock (peak) | ± 50000 | G peak |
| Temperature Range | -60 to +250 | °F |
| Seal | Epoxy | |

| | | |
|-------------------|-------------|-----------------------|
| Maximum Shock | ± 490500 | m/s ² peak |
| Temperature Range | -51 to +121 | °C |
| Seal | Epoxy | |

ELECTRICAL

| | | |
|--------------------------|---------------|-----|
| Power Supply [3] | 2 to 20 | mA |
| Compliance Voltage Range | +18 to +30 | V |
| Output Impedance | 100 | Ω |
| Bias Voltage | +7.5 to +9.5 | VDC |
| Discharge Time Constant | 1 to 1.5 | sec |
| Electrical Isolation [4] | 10 | GΩ |
| Grounding | Case Isolated | |

| | | |
|--------------------------|---------------|-----|
| Power Supply | 2 to 20 | mA |
| Compliance Voltage | +18 to +30 | V |
| Output Impedance | 100 | Ω |
| Bias Voltage | +7.5 to +9.5 | VDC |
| Discharge Time Constant | 1 to 1.5 | sec |
| Electrical Isolation [4] | 10 | GΩ |
| Grounding | Case Isolated | |

This family also includes:

| Model | Sensitivity (mV/g) | Range (Gpeak) | Resolution (Grms) | Oper. Temp(°F) | Time Constant (Sec) |
|---------|--------------------|---------------|-------------------|----------------|---------------------|
| 3200BT | 0.05 | 70000 | 1.4 | -60 to +250 | 1.0 to 1.5 |
| 3200B2T | 0.1 | 50000 | 0.7 | -60 to +250 | 1.0 to 1.5 |
| 3200B3T | 0.25 | 20000 | 0.28 | -60 to +250 | 1.0 to 1.5 |
| 3200B5T | 1.0 | 5000 | 0.07 | -60 to +250 | 1.0 to 1.5 |
| 3200B6T | 2.0 | 2500 | 0.035 | -60 to +250 | 1.0 to 1.5 |

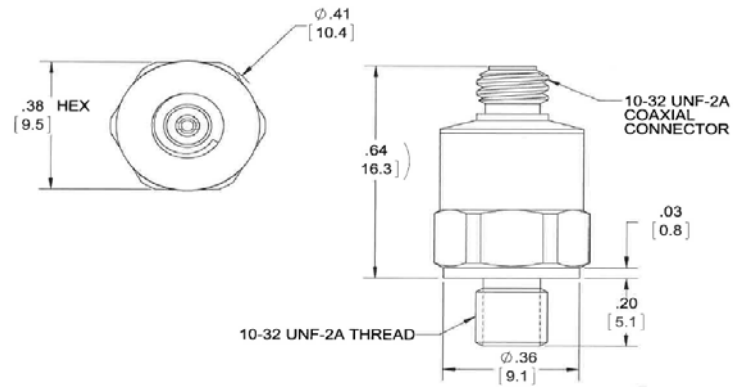
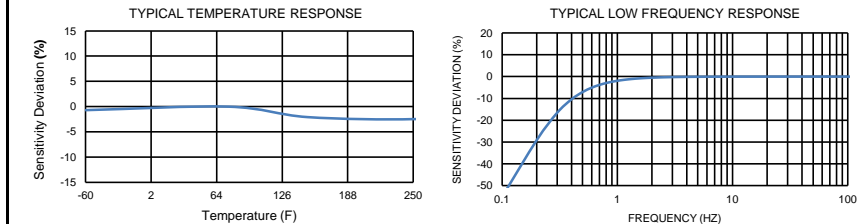
Refer to the performance specifications of the products in this family for detailed description.

Supplied Accessories:

- 1) Accredited calibration certificate (ISO 17025)

Notes:

- [1] Measured at 100 Hz, 1 GRMS per ISA RP 37.2.
- [2] Measured using zero-based best straight-line method, % of F.S. or any lesser range.
- [3] Do not apply power to this device without current limiting, 20 mA MAX. To do so will destroy the integral IC amplifier.
- [4] Case ground to mounting surface.



Units on the line drawing are in inches, units in brackets are in millimeters. Refer to 127-3200BT for more information.



21592 Marilla Street, Chatsworth, California 91311 Phone: 818.700.7818 Fax: 818.700.7880
www.dytran.com For permission to reprint this content, please contact info@dytran.com