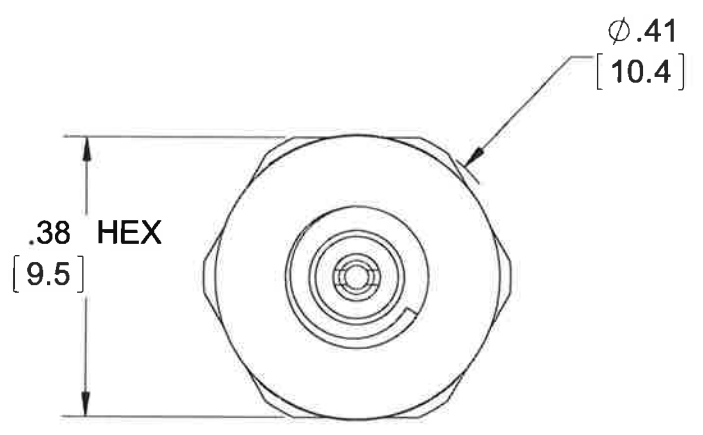


PROPRIETARY AND CONFIDENTIAL

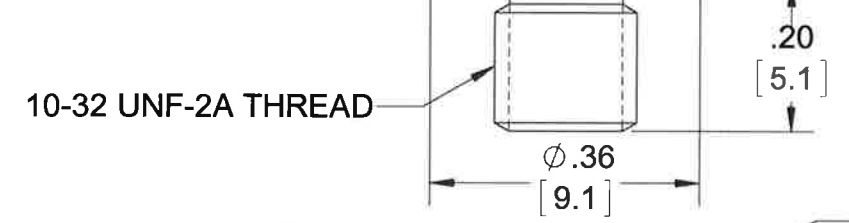
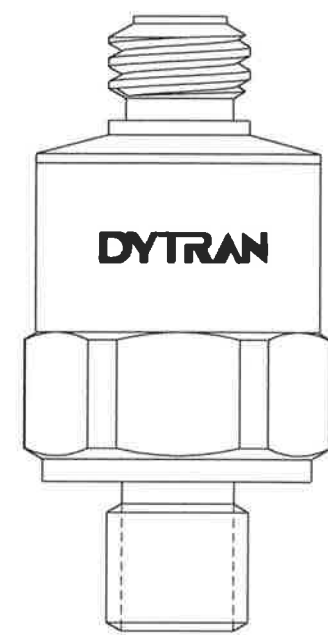
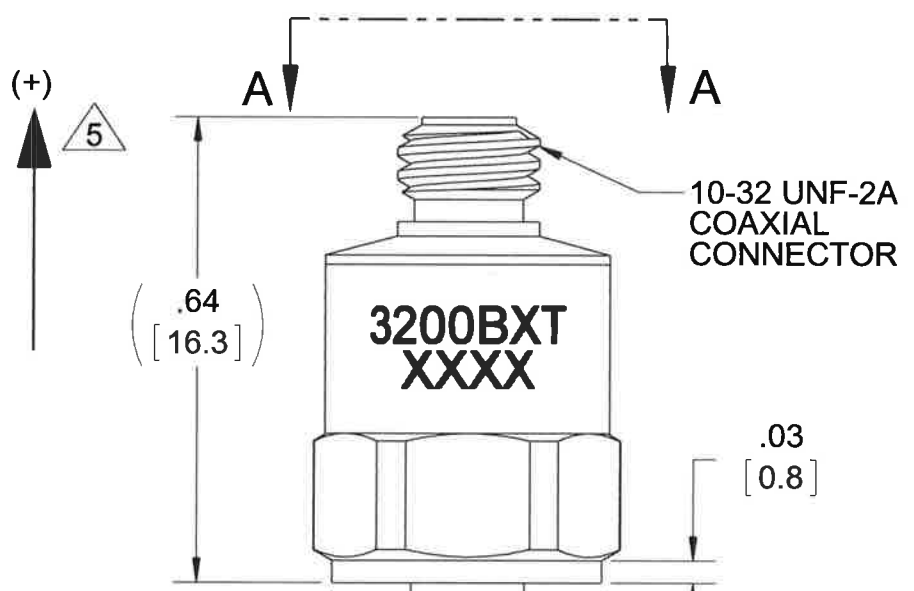
THE INFORMATION CONTAINED IN THIS DRAWING IS THE SOLE PROPERTY OF DYTRAN INSTRUMENTS INC. ANY REPRODUCTION IN PART OR AS A WHOLE WITHOUT THE WRITTEN PERMISSION OF DYTRAN INSTRUMENTS INC. IS PROHIBITED

REVISIONS

REV.	ECN	DESCRIPTION	BY/DATE	CHK	APPR
A	11055	INITIAL RELEASE	EC 08/05/14	JLS	[Signature]



VIEW A-A



MOUNTING HOLE PREPARATION
TAP 10-32 UNF-2B X .25 [6.4] MIN DEPTH
OF PERFECT THREAD. HOLE TO BE
PERPENDICULAR WITHIN ±1°



3200BT SERIES

5 ARROW INDICATES SENSE AND DIRECTION OF ACCELERATION FOR POSITIVE - GOING OUTPUT SIGNAL

4 PREPARE FLAT SURFACE TO THIS DIA. WITH A FINISH OF OR BETTER AND FLAT TO .001 TIR.

3 PREPARE MOUNTING SURFACE AS SHOWN. APPLY A LAYER OF SILICONE GREASE TO MOUNTING SURFACE. TORQUE IN PLACE WITH 30 LB-IN.

2. HOUSING MATERIAL: 17-4 PH STAINLESS STEEL

1. WEIGHT: 6 GRAMS MAX

NOTES: UNLESS OTHERWISE SPECIFIED

UNLESS OTHERWISE SPECIFIED:
INTERPRET DIM & TOL PER ASME Y14.5M - 1994.
REMOVE BURRS.
COUNTERSINK INTERNAL THDS 90° TO MAJOR DIA.
CHAM EXT THDS 45° TO MINOR DIA.
THD LENGTHS AND DEPTHS ARE FOR MIN FULL THDS.
DIMENSIONS APPLY AFTER FINISHING.

ALL MACHINED SURFACES: TOTAL RUNOUT WITHIN .005. BREAK SHARP EDGES .005 TO .010. MACHINED FILLET RADII .005 TO .015. WELDING SYMBOLS PER AWS A2.4. ABBREVIATIONS PER MIL-STD-12.

DECIMALS		METRIC		ANGLES
.XX ±.03	.X ±.08	.XX ±.03	.X ±.08	±1°
.XXX ±.010	.XX ±0.25			

APPROVALS		DATE
ORIG	EC	08/05/14
CHK	EC	08/05/14
APP	[Signature]	8/8/14

DO NOT SCALE DRAWING

THIRD ANGLE PROJECTION

DYTRAN INSTRUMENTS, INC. MASTER ONLY IF IN RED Chatsworth, CA

TITLE: **OUTLINE/INSTALLATION DRAWING, SEIRES 3200BT LIVM, SHOCK ACCELEROMETERS**

SIZE B	CAGE CODE 2W033	DWG NO 127-3200BT	REV A
---------------	------------------------	--------------------------	--------------

SCALE: 4:1 SHEET 1 OF 1

MODEL NUMBER 3200B3T	PERFORMANCE SPECIFICATION	DOC NO PS3200B3T
	SINGLE AXIS ACCELEROMETER, IEPE	REV B, ECN 12864, 08/12/16



PHYSICAL

Weight	0.21	oz
Mounting Provision	10-32 UNF-2A	
Connector	Coaxial	
Thread	10-32 UNF-2A	
Material Body	17-4 PH S.S.	
Isolation	Case Isolated	
Sensing Element	Quartz	
Mode	Compression	

ENGLISH	SI
0.21 oz	6.0 grams
10-32 UNF-2A	10-32 UNF-2A
Coaxial	Coaxial
10-32 UNF-2A	10-32 UNF-2A
17-4 PH S.S.	17-4 PH S.S.
Case Isolated	Case Isolated
Quartz	Quartz
Compression	Compression

PERFORMANCE

Sensitivity +/- 10% [1]	0.25	mV/g
Maximum Range F.S.	20000	g
Frequency Response, ± 5%	.50 to 10000	Hz
± 10%	.35 to 20000	Hz
± 3db	.16 to >50000	Hz
Mounted Resonant Frequency	> 90	kHz
Electrical Noise	0.28	Grms
Linearity [2]	± 1%	%F.S
Transverse Sensitivity, Max.	3	%

0.03	mV/ m/s ²
196000	m/s ²
.50 to 10000	Hz
.35 to 20000	Hz
.16 to >50000	Hz
> 90	kHz
2.7	m/s ² rms
± 1%	%F.S
3	%

ENVIRONMENTAL

Maximum Shock (peak)	± 100000	G peak
Temperature Range	-60 to +250	°F
Seal	Epoxy	

± 981000	m/s ² peak
-51 to +121	°C
Epoxy	

ELECTRICAL

Power Supply [3]	2 to 20	mA
Compliance Voltage Range	+18 to +30	V
Output Impedance	100	Ω
Bias Voltage	+7.5 to +9.5	VDC
Discharge Time Constant	1 to 1.5	sec
Electrical Isolation [4]	10	GΩ
Grounding	Case Isolated	

2 to 20	mA
+18 to +30	V
100	Ω
+7.5 to +9.5	VDC
1 to 1.5	sec
10	GΩ
Case Isolated	

This family also includes:

Model	Sensitivity (mV/g)	Range (Gpeak)	Resolution (Grms)	Oper. Temp(°F)	Time Constant (Sec)
3200BT	0.05	70000	1.4	-60 to +250	1.0 to 1.5
3200B2T	0.1	50000	0.7	-60 to +250	1.0 to 1.5
3200B4T	0.5	10000	0.14	-60 to +250	1.0 to 1.5
3200B5T	1.0	5000	0.07	-60 to +250	1.0 to 1.5
3200B6T	2.0	2500	0.035	-60 to +250	1.0 to 1.5

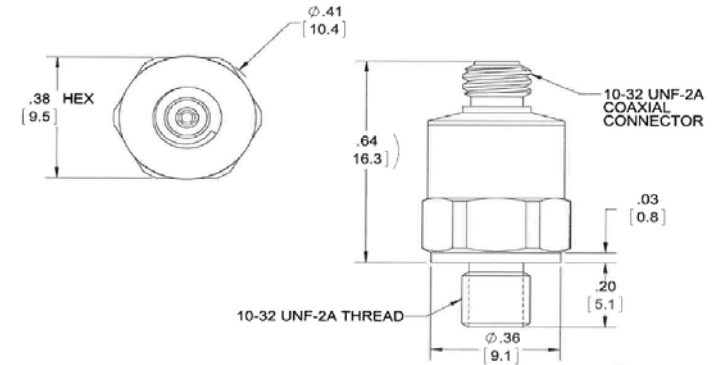
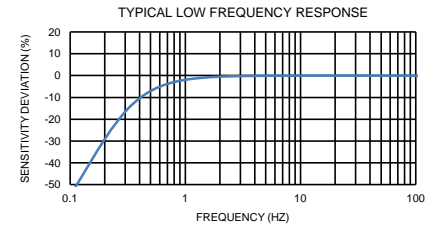
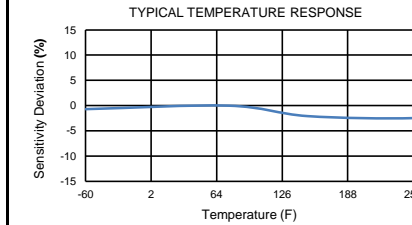
Refer to the performance specifications of the products in this family for detailed description.

Supplied Accessories:

- 1) Accredited calibration certificate (ISO 17025)

Notes:

- [1] Measured at 100 Hz, 1 GRMS per ISA RP 37.2.
- [2] Measured using zero-based best straight-line method, % of F.S. or any lesser range.
- [3] Do not apply power to this device without current limiting, 20 mA MAX. To do so will destroy the integral IC amplifier.
- [4] Case ground to mounting surface.



Units on the line drawing are in inches, units in brackets are in millimeters. Refer to 127-3200BT for more information.



21592 Marilla Street, Chatsworth, California 91311 Phone: 818.700.7818 Fax:818.700.7880
www.dytran.com For permission to reprint this content, please contact info@dytran.com