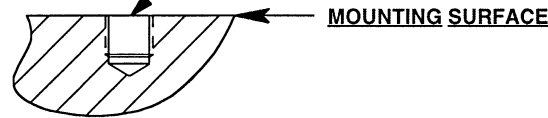
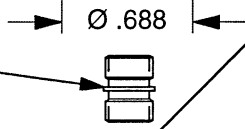
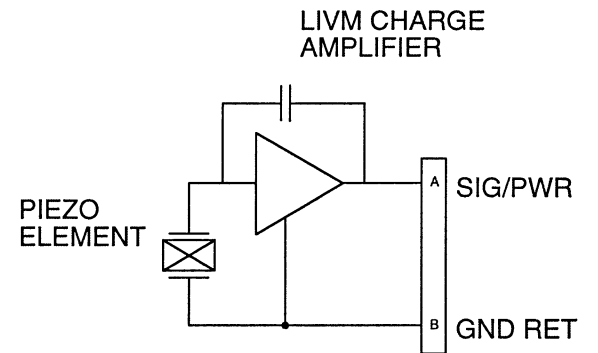


6176 MOUNTING STUD (SUPPLIED)



MOUNTING PREPARATION
 PREPARE FLAT SURFACE (TO .001 TIR)
 NEXT DRILL #3 (.213) DIA X .250 DEEP
 BOTTOM TAP 1/4-28 UNF-2B X .200 MIN
 THREAD DEPTH



①
 1. WEIGHT - 107 GRAMS.

EXCEPT AS OTHERWISE NOTED	
ALL DIMENSIONS IN INCHES TOLERANCE: .XXX = ±	.XX = ±
SURFACE FINISH EXCEPT AS NOTED	✓
BREAK EDGES TO DEBURR RADIUS OR CHAMFER	
△ THESE DIAS ⊙ TO	T.I.R.
FILLETS -	MAX RAD.

		<h1>MASTER ONLY IF IN RED</h1>		CHATSWORTH, CA.	
SCALE	1X	REV	A	DATE	2-10-03
DATE	7-29-02	PART NO.		ECN	N/A
DRAWN	N.C.	CHECKED	R.A.	MATL	
APPROVED			NEXT ASSEMBLY	USED ON	
OUTLINE/INSTALLATION DRAWING MODEL 3184E				DWG NO. 127-3184E	
				SHEET 1 OF 1	

SPECIFICATIONS

MODEL 3184E INDUSTRIAL ACCELEROMETER

SPECIFICATION	VALUE	UNITS
PHYSICAL		
WEIGHT	107	GRAMS
SIZE (HEX x HEIGHT)	1.0 x 2.4	INCHES
MOUNTING PROVISION	1/4-28, UNF-2B TAPPED HOLE AT BOTTOM	
CONNECTOR, COAXIAL, TOP MOUNTED	2-PIN MILITARY	10SL-4P
CASE /CONNECTOR MATERIAL	316L STAINLESS STEEL	
ELEMENT STYLE	CERAMIC SHEAR	
PERFORMANCE		
SENSITIVITY +/- 5%	100	mV/G
RANGE F.S. FOR +/- 5 VOLTS OUT	± 50	G's
FREQUENCY RESPONSE, ± 5%	0.4 (24) to 5,000 (300,000)	Hz (CPM)
FREQUENCY RESPONSE, ± 3db	0.15 (9) to 10,000 (600,000)	Hz (CPM)
MOUNTED RESONANT FREQUENCY	25	KHz
EQUIVALENT ELECTRICAL NOISE (RESOLUTION)	.00002	G, RMS
AMPLITUDE NON-LINEARITY (ZERO BASED BEST FIT ST.LINE METHOD)	2.0	% F.S., MAX.
TRANSVERSE SENSITIVITY, MAX.	5	PERCENT
STRAIN SENSITIVITY	.0001	G's PER MICROSTRAIN @ 250/μσ
ENVIRONMENTAL		
MAXIMUM VIBRATION	100	G's, RMS
MAXIMUM SHOCK	3000	G's PEAK
TEMPERATURE RANGE	-60 TO +250	°F
ENVIRONMENTAL SEAL	HERMETIC	
ELECTRICAL		
EXCITATION (COMPLIANCE) VOLTAGE RANGE	+20 to +30	VDC
EXCITATION CURRENT RANGE	2 to 20	mA
OUTPUT IMPEDANCE, NOM.	100	OHMS
OUTPUT BIAS VOLTAGE	11.5 to 13	VDC
DISCHARGE TIME CONSTANT	0.9 TO 2.0	SEC.
OUTPUT SIGNAL POLARITY FOR ACCELERATION TOWARD TOP	POSITIVE-GOING	

SUPPLIED ACCESSORIES:

(1) MODEL 6176 1/4-28 STAINLESS STEEL MOUNTING STUD

AVAILABLE ACCESSORIES:

MODEL 6194 IMMERSION PROOF™ VITON BOOT FOR USE IN HARSH ENVIRONMENT. COMPLETELY SEALS SENSOR AND CONNECTOR FROM MOISTURE. BOOT PROVIDES TOTAL HERMETIC SEAL FROM 0 TO 5,000 PSI.

MODEL 6406AXX CABLE ASSY, 10SL-4S CONNECTOR TO PIGTAIL, TWO-WIRE CABLE WITH TEFZEL™ JACKET.

[1] MEASURED AT 100Hz, 1 g RMS LEVEL BY BACK-TO-BACK COMPARISON PER ISA RP37.2.

[2] EACH UNIT SUPPLIED WITH NIST TRACEABLE CALIBRATION CERTIFICATE

SUPPLEMENTAL OPERATING GUIDE MODEL SERIES 3184E LIVM ACCELEROMETER