

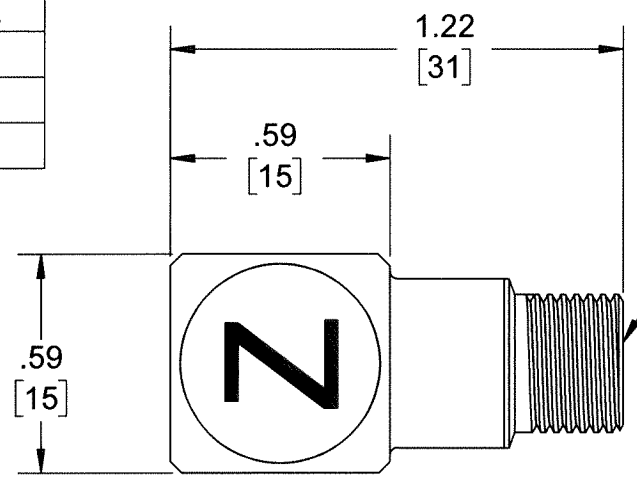
PROPRIETARY AND CONFIDENTIAL

THE INFORMATION CONTAINED IN THIS DRAWING IS THE SOLE PROPERTY OF DYTRAN INSTRUMENTS INC. ANY REPRODUCTION IN PART OR AS A WHOLE WITHOUT THE WRITTEN PERMISSION OF DYTRAN INSTRUMENTS INC. IS PROHIBITED

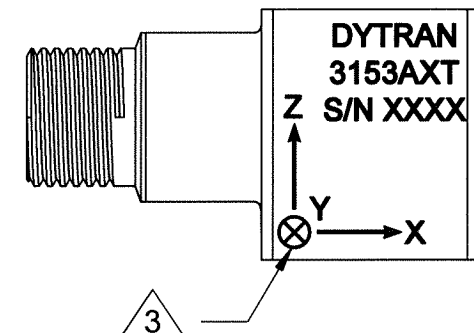
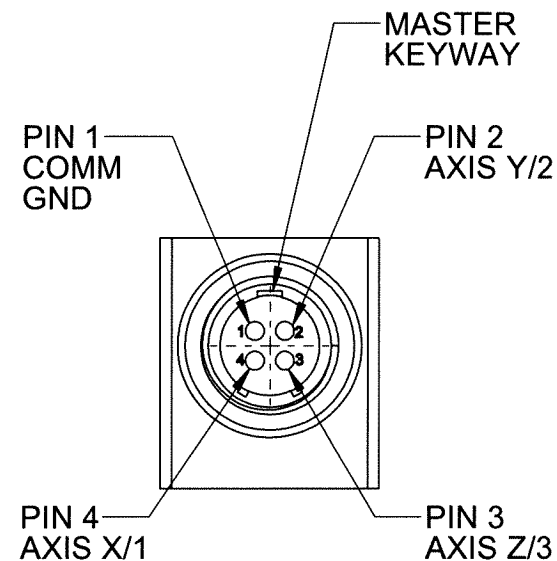
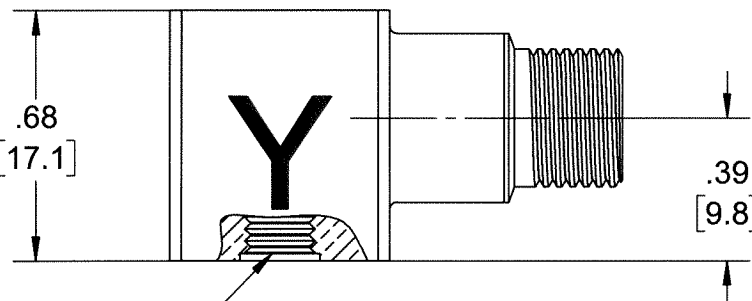
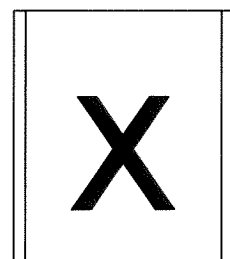
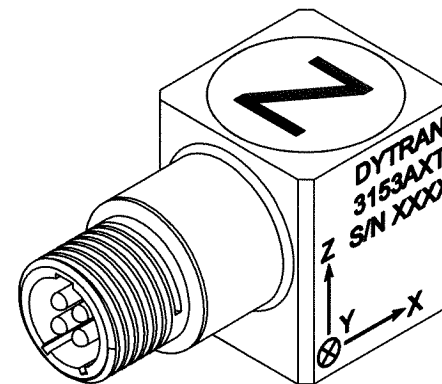
REVISIONS

REV.	ECN	DESCRIPTION	BY/DATE	CHK	APPR
A	12222	INITIAL RELEASE	NDC 09/29/15	LN	RT
B	14935	ADDED NOTE 5	KG 03/01/19	DA	M4

MODEL	SENSITIVITY	RANGE
3153A1T	10 mV/g	±500 g
3153A2T	50 mV/g	±100 g
3153A3T	100 mV/g	±50 g

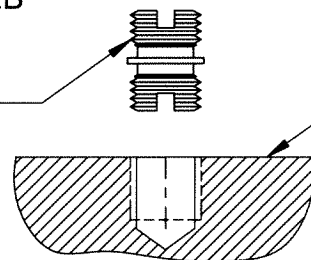


CONNECTOR, 4-PIN, 3/8-28 UN-2A GLENAIR P/N: 800-013-03Z16-4PN 4



10-32 UNF-2B

MOUNTING STUD, MODEL 6200, 10-32 TO 10-32, SUPPLIED



MOUNTING RECOMMENDATION: PREPARE A .55 [14] X .55 [14] MIN SURFACE, FLAT TO .001 TIR. TAP 10-32 UNF-2B ∇.15 [3.8] MIN. MOUNTING TORQUE: 10-12 Lb-in.

5. MINOR VOIDS, SCARS, SCRATCHES, AND MOUNTING BLEMISH / WITNESS MARKS ON EXTERIOR SURFACES ARE ALLOWED DUE TO RESTRAINING AND HANDLING DURING TESTING, TRANSPORT OR PROCESSING. THESE APPEAR AS INDICATORS THAT DO NOT AFFECT FORM, FIT OR FUNCTION AS INTENDED BY DESIGN OR APPLICATION.

4 MATES WITH DYTRAN CABLES: 6390AXX (4-PIN TO 3 10-32 PLUGS) 6669AXX (4-PIN TO FLYING LEADS) ("XX" DENOTES LENGTH IN FEET)

3 ARROWS INDICATE DIRECTIONS OF ACCELERATION FOR POSITIVE OUTPUT

2. WEIGHT: 35 GRAMS, MAX.

1. ENVIRONMENTAL SEAL: HERMETIC

NOTES: UNLESS OTHERWISE SPECIFIED

UNLESS OTHERWISE SPECIFIED: INTERPRET DIM & TOL PER ASME Y14.5M - 1994. REMOVE BURRS. COUNTERSINK INTERNAL THDS 90° TO MAJOR DIA. CHAM EXT THDS 45° TO MINOR DIA. THD LENGTHS AND DEPTHS ARE FOR MIN FULL THDS. DIMENSIONS APPLY AFTER FINISHING.	UNLESS OTHERWISE SPECIFIED: DIMENSIONS ARE IN INCHES DIMENSIONS IN BRACKETS [] ARE IN MILLIMETERS TOLERANCES ARE:				MASTER ONLY IN RED	
	DECIMALS .XX ±.03 .XXX ±.010	METRIC X ± 0.8 .XX ± 0.25				
	APPROVALS			DATE		
	ORIG LN	CHK LN	APP RT	09/03/15	10/02/15	10/08/15
ALL MACHINED SURFACES. TOTAL RUNOUT WITHIN .005. BREAK SHARP EDGES .005 TO .010. MACHINED FILLET RADII .005 TO .015. WELDING SYMBOLS PER AWS A2.4. ABBREVIATIONS PER MIL-STD-12.			THIRD ANGLE PROJECTION		DO NOT SCALE DRAWING	
TITLE:		OUTLINE/ INSTALLATION DRAWING, 3153AT SERIES				
SIZE B	CAGE CODE 2W033	DWG NO 127-3153A1T	REV B	SCALE: 2:1		
SHEET 1 OF 1			SHEET 1 OF 1			

MODEL NUMBER 3153A1T	PERFORMANCE SPECIFICATION	DOC NO.
		PS3153A1T
Accelerometer, Triaxial, IEPE		REV C, ECN 15508, 01/13/2020



- HERMETICALLY SEALED
- STUD MOUNTED
- TEDS FEATURE
- GROUND ISOLATED

PHYSICAL

		ENGLISH		SI	
Weight, Max		1.23	oz	35	grams
Connector [1]	Type	4-pin, 3/8-28		4-pin, 3/8-28	
	Material	300 Series S.S.		300 Series S.S.	
Housing Material		300 Series S.S.		300 Series S.S.	
Sensing Element		Ceramic		Ceramic	
	Mode	Shear		Shear	
Mounting Provision		10-32 Tapped Hole		10-32 Tapped Hole	

PERFORMANCE

Sensitivity, +15-10% [2]		10	mV/g	1.02	mV/m/s ²
Acceleration Range		± 500	Gpeak	±4905	m/s ² peak
Frequency Range, ±5%		0.7 - 5000	Hz	0.7 - 5000	Hz
Resonance Frequency		>20	kHz	>20	kHz
Linearity [3]		1	%F.S.	1	%F.S.
Transverse Sensitivity Max		6	%	6	%
Electrical Noise Floor, Max.		0.003	Grms	0.03	m/s ² rms

ELECTRICAL

Supply Current Range [4]		2 to 20	mA	2 to 20	mA
Compliance Voltage Range		+18 to +30	VDC	+18 to +30	VDC
Output Impedance, Typ.		100	Ω	100	Ω
Output Bias Voltage		11 - 13	VDC	11 - 13	VDC
Discharge Time Constant		0.5 to 1.5	sec	0.5 to 1.5	sec
TEDS Feature		IEEE 1451.4		IEEE 1451.4	

ENVIRONMENTAL

Shock Max		± 3000	g pk	± 29430	m/s ²
Vibration Max		± 2000	g pk	± 19620	m/s ²
Operating Temperature		-60 to +250	°F	-51 to +121	°C
TEDS Operating Temperature		-40 to +185	°F	-40 to +85	°C
Seal		Hermetic		Hermetic	
Magnetic Sensitivity at 100 Gauss		0.00007	g/Gauss	0.0006867	m/s ² /Gauss
Base Strain Sensitivity		0.05	g/με	0.4905	m/s ² /με
Electrical Isolation		10	MΩ	10	MΩ

This family also includes:

Model	Sensitivity (mV/g)	Range (Gpeak)	Resolution (Grms)	Oper. Temp(°F)	TC (sec)
3153A2T	50	100	0.0006	-60 to +250	0.5 to 1.5
3153A3T	100	50	0.0003	-60 to +250	0.5 to 1.5

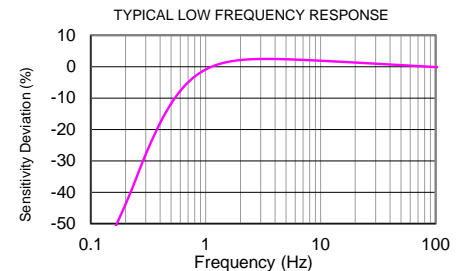
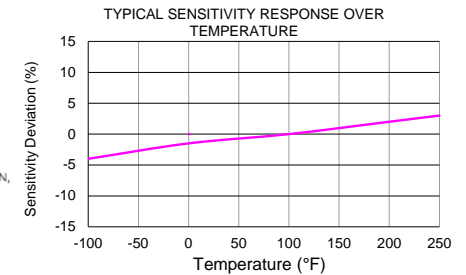
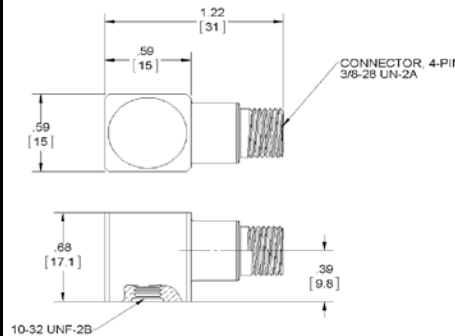
Refer to the performance specifications of the products in this family for detailed description

Supplied Accessories:

- 1) Model 6200 Mounting Stud
- 2) Accredited Calibration Certificate (ISO 17025)

Notes:

- [1] Glass to Metal Seal connector. Mates with Dytran cable Model 6390AXX, 6381AXX, 6380AXX, & 60042AXX (XX=length in feet)
- [2] Measured At 100 Hz, 1 Grms per ISA RP 37.2
- [3] Linearity is % of specified full scale (or any less full-scale range), zero-based best fit straight line method.
- [4] Do not apply power to this device without current limiting, 20mA Max, to do so will destroy the integral IC amplifier
- [5] In the interest of constant product improvement, we reserve the rights to change the specifications without notice. It is the customer's responsibility to validate that a particular product with the properties described in the product specification is suitable for use in a particular application. Parameters provided in datasheets and / or specifications may vary in different applications and performance may vary overtime. All operating parameters, including typical parameters, must be validated for each customer application by the customer's technical experts.



Units on the line drawing are in inches, units in brackets are in millimeters. Refer to 127-3153A1T for more information.



21592 Marilla Street, Chatsworth, California 91311 Phone: 818.700.7818 Fax:818.700.7880 www.dytran.com For permission to reprint this content, please contact info@dytran.com