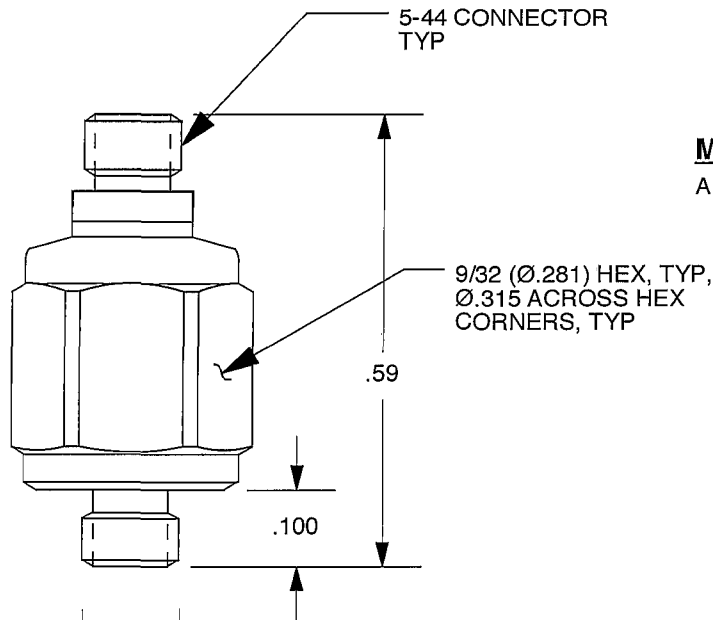
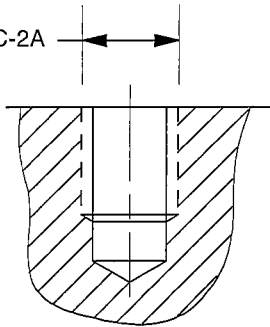


REV	ECN	DESCRIPTION	BY/DATE	CHK	APPR
B	10271	MATERIAL IS: 304L STAINLESS STEEL WAS: TITANIUM ALLOY	RLA 8/16/13	MH	AS

**MODEL 3145A**  
STUD MOUNT

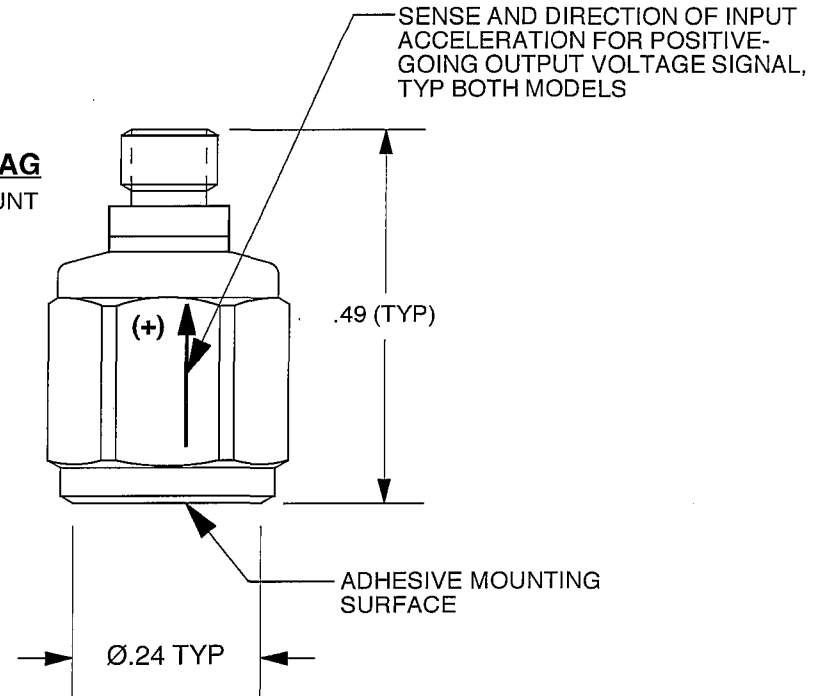


THD 5-40, UNC-2A



**MOUNTING PORT PREPARATION:**  
DRILL #38 (Ø.1015) X.200 MIN DEPTH  
TAP 5-40 X .140 MIN DEPTH THD

**MODEL 3145AG**  
ADHESIVE MOUNT



1. MATERIAL: 304L STAINLESS STEEL
2. SEAL-HERMETIC, ALL WELDED.
3. WEIGHT-MOD 3145A-2.3 GRAMS  
MOD 3145AG-2.1 GRAMS
4. TO INSTALL MOD 3145A, TORQUE IN PLACE WITH 10 lb-INCHES.
5. SUGGESTED ADHESIVE TYPE FOR MODEL 3145AG-CYANOACRYLATE "INSTANT BOND".

EXCEPT AS OTHERWISE NOTED	
ALL DIMENSIONS IN INCHES TOLERANCE: .xxx = ± .xx = ± .01	
SURFACE FINISH EXCEPT AS NOTED ✓	
BREAK EDGES TO DEBURR RADIUS OR CHAMFER	
△ THESE DIAS ⊙ TO T.I.R.	
FILLETS -	MAX RAD.

<b>DYTRAN</b> INSTRUMENTS, INC.		<b>MASTER</b> ONLY IF IN RED		CHATSWORTH, CA.	
SCALE 4X	REV -	DATE SEE REV BLK	ECN -		
DATE 3/28/00	PART NO.				
DRAWN N.C.	CHECKED R.A.	MAT'L			
APPROVED N.C.	2/10/03	NEXT ASSEMBLY	USED ON		
TITLE <b>OUTLINE/INSTALLATION DRAWING MODELS 3145A &amp; 3145AG</b>				DWG NO. <b>127-3145A</b>	
				SHEET	OF 1

	<b>IEPE ACCELEROMETER</b>	<small>REV C, ECN 14194, 05/02/18</small>
--	---------------------------	---



- MINIATURE DESIGN
- HERMETICALLY SEALED

**PHYSICAL**

Weight  
Connector  
Mounting Provision  
Material, Housing/Connector  
Sensing Element  
Element Style

ENGLISH		SI	
0.08	oz	2.3	grams
5-44 Coaxial		5-44 Coaxial	
Adhesive		Adhesive	
300 Series S.S.		300 Series S.S.	
Ceramic		Ceramic	
Crystal Shear Mode		Crystal Shear Mode	

**PERFORMANCE**

Sensitivity, ±10% [1]  
Range for ± 5 Volts Output  
Frequency Response, ± 10%  
Resonant Frequency  
Equivalent Electrical Noise Floor  
Linearity, [2]  
Maximum Transverse Sensitivity  
Strain Sensitivity @ 250µε

100	mV/g	10.19	mV/m/s <sup>2</sup>
50	g	491	m/s <sup>2</sup>
0.8 to 10,000	Hz	0.8 to 10,000	Hz
> 45	kHz	> 45	kHz
0.0004	Grms	0.004	m/s <sup>2</sup> rms
±1	% F.S.	±1	% F.S.
5	%	5	%
0.002	g/µε	0.02	m/s <sup>2</sup> /µε

**ENVIRONMENTAL**

Maximum Vibration  
Maximum Shock  
Temperature Range  
Seal  
Coefficient of Thermal Sensitivity

600	Gpeak	5886	m/s <sup>2</sup> peak
3000	Gpeak	29430	m/s <sup>2</sup> peak
-60 to +200	°F	-51 to +93	°C
Hermetic		Hermetic	
.04	%/°F	0.07	%/°C

**ELECTRICAL**

Supply Current Range [3]  
Compliance Voltage Range  
Output Impedance, Typ  
Bias Voltage, +9 Volts Nom.  
Discharge Time Constant  
Output Signal Polarity for Acceleration Toward Top  
Ground Isolation

2 to 20	mA	2 to 20	mA
+18 to +30	Volts	+18 to +30	Volts
100	Ω	100	Ω
+11 to +13	VDC	+11 to +13	VDC
0.5 to 2.0	Sec	0.5 to 2.0	Sec
Positive		Positive	
Case Ground		Case Ground	

**This family also includes:**

Model	Sensitivity (mV/g)	Frequency Response (Hz)	Time Constant (Sec)	Operating Temp (°F)

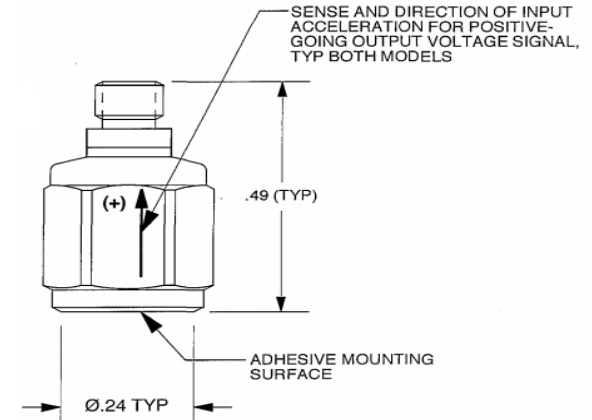
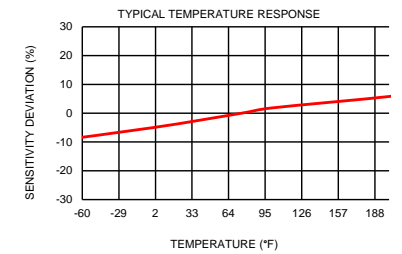
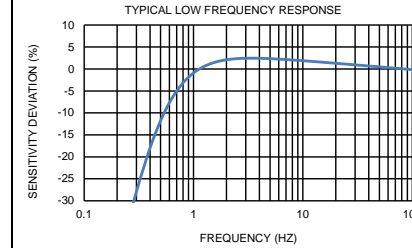
Refer to the performance specifications of the products in this family for detailed description

**Supplied Accessories:**

- 1) Accredited calibration certificate (ISO 17025)

**Notes:**

- [1] Measured at 100Hz, 1 Grms per ISA RP 37.2.
- [2] Measure using zero-based straight line method, % of F.S. or any lesser range.
- [3] Do not apply power to this system without current limiting, 20 mA MAX. To do so will destroy the IC charge amplifier.



Units on the line drawing are in inches, units in brackets are in millimeters. Refer to 127-3145A for more information.

