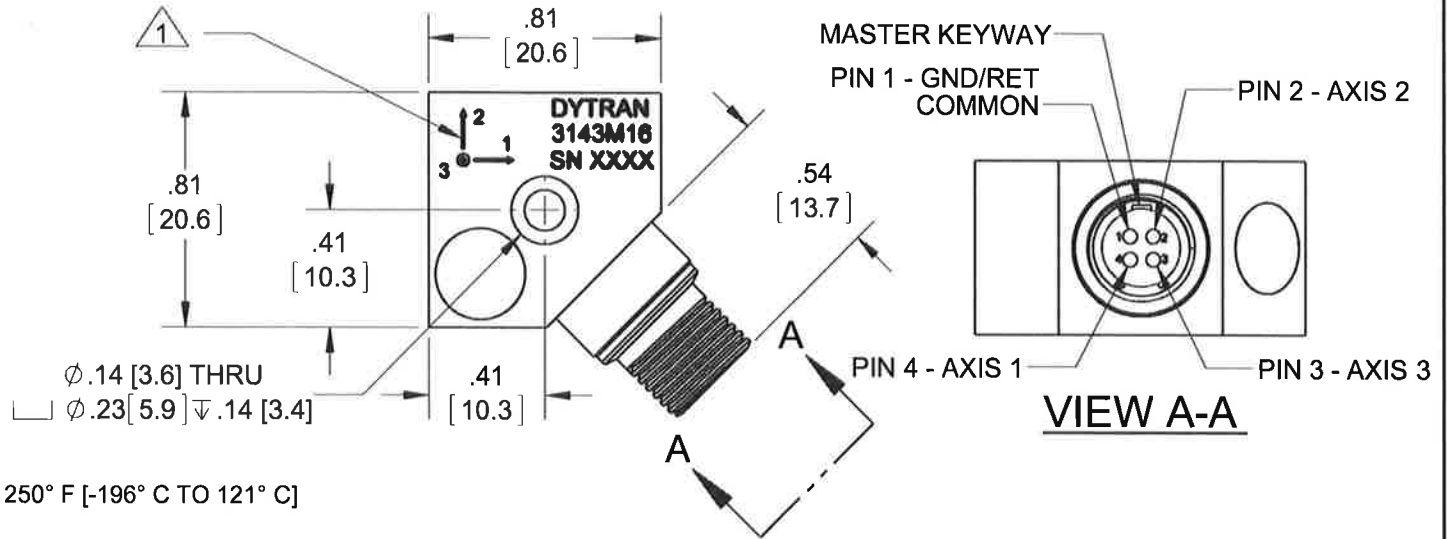
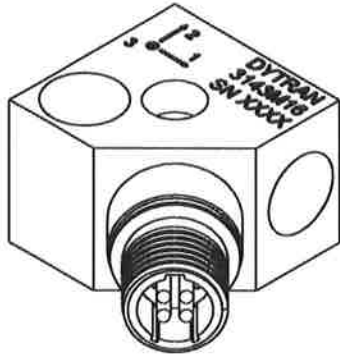


PROPRIETARY AND CONFIDENTIAL

THE INFORMATION CONTAINED IN THIS DRAWING IS THE SOLE PROPERTY OF DYTRAN INSTRUMENTS INC. ANY REPRODUCTION IN PART OR AS A WHOLE WITHOUT THE WRITTEN PERMISSION OF DYTRAN INSTRUMENTS INC. IS PROHIBITED

REVISIONS

REV	ECN	DESCRIPTION	BY/DATE	CHK	APPR
A	9393	INITIAL RELEASE	LN 12/07/12	JS	AS
B	11050	SEE ECN	EC 06/06/14	<i>JS</i>	<i>AS</i>



8. OPERATING TEMPERATURE: -320° F TO 250° F [-196° C TO 121° C]

7. SENSITIVITY: 10mV/G

6. HOUSING AND CONNECTOR MATERIAL
300 SERIES STAINLESS STEEL

5. DELETED.

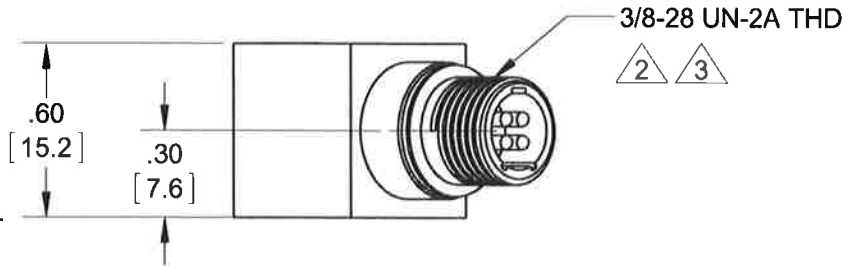
4. WEIGHT: 50 GRAMS, MAX.

3. MATING CONNECTOR GLENAIR
P/N 800-009-06M6-4SN.

2. 800-013-03Z16-4PN CONNECTOR GLASS TO METAL SEAL
1000 VOLTS GALVANIC ISOLATION FROM PIN 1
GND RETURN TO CASE.

1. ARROWS INDICATE DIRECTION OF ACCELERATION
FOR POSITIVE OUTPUT ON EACH AXIS

NOTES: UNLESS OTHERWISE SPECIFIED



USED ON	NEXT ASSY
APPLICATION	
THIRD ANGLE PROJECTION USA	

UNLESS OTHERWISE SPECIFIED:
INTERPRET DIM & TOL PER
ASME Y14.5M - 1994.
REMOVE BURRS.
COUNTERSINK INTERNAL THDS
90° TO MAJOR DIA.
CHAM EXT THDS 45° TO MINOR DIA.
THD LENGTHS AND DEPTHS ARE FOR
MIN FULL THDS.
THDS PER MIL-S-7742.
DIMENSIONS APPLY AFTER FINISHING.

ALL MACHINED SURFACES.
TOTAL RUNOUT WITHIN .005.
BREAK SHARP EDGES .005 TO .010.
MACHINED FILLET RADII .005 TO .015.
WELDING SYMBOLS PER AWS A2.4.
ABBREVIATIONS PER MIL-STD-12.

UNLESS OTHERWISE SPECIFIED:
DIMENSIONS ARE IN INCHES.
DIMENSIONS IN BRACKETS []
ARE IN MILLIMETERS
TOLERANCES ARE:

INCHES	METRIC	ANGLES
.XX ± .03	.X ± 0.8	± 1°
.XXX ± .010	.XX ± 0.25	

MATERIAL

FINISH

DO NOT SCALE DRAWING

CONTRACT NO.		
APPROVALS		DATE
ORIG	LN	11/08/12
CHK	JS	01/03/12
APP	AS	01/03/12
APP	<i>AS</i>	<i>6/16/14</i>



MASTER
ONLY IF IN RED

Chatsworth, CA

TITLE: **OUTLINE/INSTALLATION DWG,
TRIAxIAL ACCEL, CRYOGENIC,
MODEL 3143M16**

SIZE	CAGE CODE	DWG. NO.	REV
A	2W033	127-3143M16	B

SCALE: NONE SOLIDWORKS SHEET 1 OF 1

IEPE TRIAXIAL ACCELEROMETER

REV C, ECN 14180, 04/27/18



- HERMETICALLY SEALED
- EXCELLENT LINEARITY
- CRYOGENIC

PHYSICAL

Weight, Max. Type
Connector [1] Thru Hole
Mounting Provision
Material, Housing/Connector
Sensing Element
Element Style

ENGLISH		SI	
1.75	oz	50	grams
4 - PIN		4 - PIN	
6-32 Mounting Screw		6-32 Mounting Screw	
300 Series S.S.		300 Series S.S.	
Quartz		Quartz	
Planar Shear		Planar Shear	

PERFORMANCE

Sensitivity, ±5% [2]
Range for ± 5 Volts Output
Frequency Response, ±5%
Resonant Frequency
Broad Band Resolution [7]
Linearity [2]
Maximum Transverse sensitivity
Strain Sensitivity @ 250µε

10	mV/g	1	mV/m/s ²
±500	g peak	±4905	m/s ²
1.6 to 5000	Hz	1.6 to 5000	Hz
> 25	kHz	> 25	kHz
0.007	g rms	0.07	m/s ² rms
± 1	% F.S.	± 1	% F.S.
6	%	6	%
0.012	g/µε	0.12	m/s ² /µε

ENVIRONMENTAL

Maximum Vibration
Maximum Shock
Operating Temperature Range
Coefficient of Thermal Sensitivity
Seal

600	g peak	5886	m/s ² peak
3000	g peak	29430	m/s ² peak
-320 to +250	°F	-196 to 121	°C
0.03	%/°F	0.05	%/°C
HERMETIC		HERMETIC	

ELECTRICAL

Supply Current Range [3]
Compliance Voltage Range
Output Impedance, Typ
Bias Voltage
Discharge Time Constant
Electrical Isolation

2 to 20	mA	2 to 20	mA
+18 to +30	Volts	+18 to +30	Volts
100	Ω	100	Ω
+7 to +9	VDC	+7 to +9	VDC
0.3 to 1.0	Sec	0.3 to 1.0	Sec
10	GΩ,min	10	GΩ,min

This family also includes:

Model	Sensitivity (mV/g)	Frequency Response (Hz)	Time Constant (Sec)	Operating Temp (°F)

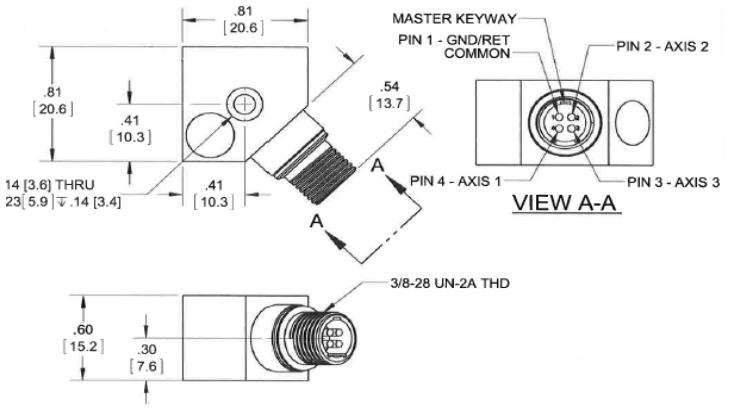
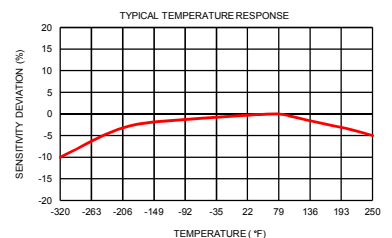
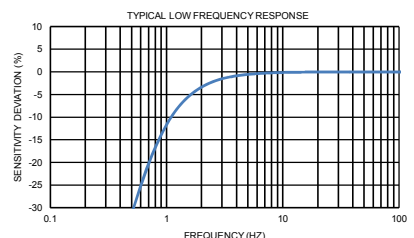
Refer to the performance specifications of the products in this family for detailed description

Supplied Accessories:

- 1) Accredited calibration certificate (ISO 17025)

Notes:

- [1] Radially Mounted. Mates with Glenair connector P/N 800-009-06M6-4SN
- [2] Measured at 100Hz, 1 Grms per ISA RP 37.2.
- [3] Measured using zero-based straight line method, % of F.S. or any lesser range.
- [5] Do not apply power to this system without current limiting, 20 mA MAX. To do so will destroy the amplifier.
- [6] In the interest of constant product improvement, we reserve the right to change specifications without notice.
- [7] Typical. Not to exceed .010 G rms [1.0 m/s² rms].



Units on the line drawing are in inches, units in brackets are in millimeters. Refer to 127-3143M16 for more information.

