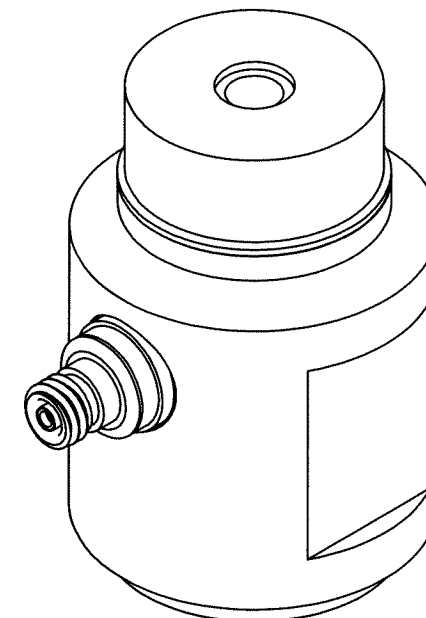
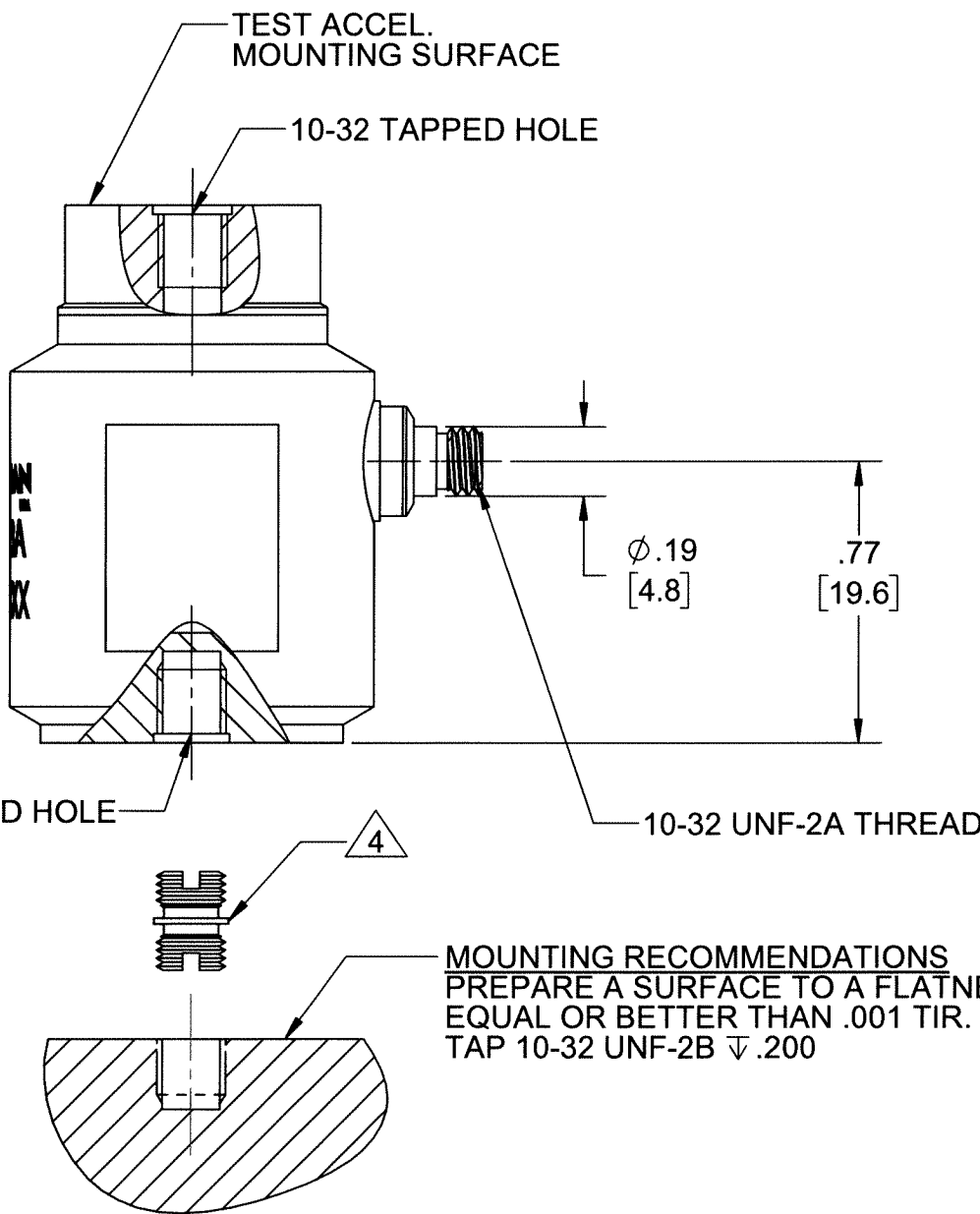
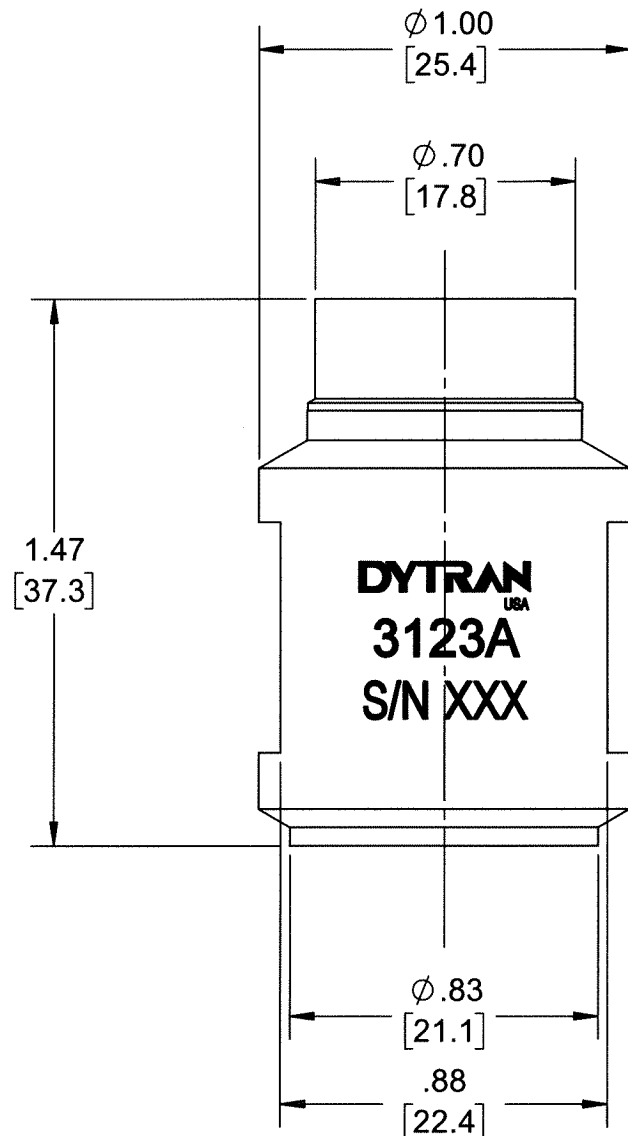


PROPRIETARY AND CONFIDENTIAL

THE INFORMATION CONTAINED IN THIS DRAWING IS THE SOLE PROPERTY OF DYTRAN INSTRUMENTS INC. ANY REPRODUCTION IN PART OR AS A WHOLE WITHOUT THE WRITTEN PERMISSION OF DYTRAN INSTRUMENTS INC. IS PROHIBITED

REVISIONS

REV.	ECN	DESCRIPTION	BY/DATE	CHK	APPR
A	14328	INITIAL RELEASE	DP 08/03/18	RA	LN
B	14353	ADDED MARKING: "S/N XXX" REMOVED REFERENCE DIMENSIONS	KG 08/10/18	WJ	EA



- 4 MOUNTING STUD MODEL 6200 SUPPLIED.
  - 3. WEIGHT: 45 GRAMS, MAX
  - 2. INSTALLATION TORQUE: 15 LB-IN ON TWO FLATS.
  - 1. MATES WITH 6011AXX CABLE.
- NOTES: UNLESS OTHERWISE SPECIFIED

UNLESS OTHERWISE SPECIFIED: INTERPRET DIM & TOL PER ASME Y14.5M - 1994. REMOVE BURRS. COUNTERSINK INTERNAL THDS 90° TO MAJOR DIA. CHAM EXT THDS 45° TO MINOR DIA. THD LENGTHS AND DEPTHS ARE FOR MIN FULL THDS. DIMENSIONS APPLY AFTER FINISHING.	UNLESS OTHERWISE SPECIFIED: DIMENSIONS ARE IN INCHES. DIMENSIONS IN BRACKETS [ ] ARE IN MILLIMETERS TOLERANCES ARE:			<b>MASTER</b> ONLY IF IN RED	
	DECIMALS    METRIC .XX ±.03      X ± 0.8      ANGLES .XXX ±.010    .XX ±0.25      ±1°	APPROVALS    DATE			
	ALL MACHINED SURFACES: $\sqrt{63}$ TOTAL RUNOUT WITHIN .005. BREAK SHARP EDGES .005 TO .010. MACHINED FILLET RADII .005 TO .015. WELDING SYMBOLS PER AWS A2.4. ABBREVIATIONS PER MIL-STD-12.	ORIG    NC    07/10/96 CHK    RA    08/03/18 APP    LN    08/06/18	SIZE    CAGE CODE    DWG NO <b>B</b> 2W033    127-3123A	REV <b>B</b>	
	DO NOT SCALE DRAWING	THIRD ANGLE PROJECTION 	SCALE:    2:1	SHEET 1 OF 1	



• **ACCELEROMETER FOR BACK-TO-BACK CALIBRATION**

**PHYSICAL**

Weight, Max  
Connector  
Mounting Provision  
Material  
Element Style

Top and Bottom Tapped Holes  
Housing and Connector  
Type

ENGLISH		SI	
3.0	oz	85	grams
10-32 Coaxial		10-32 Coaxial	
10-32		10-32	
300 Series Stainless Steel		300 Series Stainless Steel	
Planar Shear		Planar Shear	

**PERFORMANCE**

Sensitivity, ±5% [1]  
Range F.S  
Frequency Response, ±5%  
Resonant Frequency  
Equivalent Electrical Noise Floor, Max  
Linearity [2]  
Maximum Transverse sensitivity  
Strain Sensitivity @ 250µε

100	mV/g	10.20	mV/m/s <sup>2</sup>
50	g	491	m/s <sup>2</sup>
10 to 5000	Hz	10 to 5000	Hz
>40	kHz	>40	kHz
0.003	Grms	0.03	m/s <sup>2</sup> rms
± 1%	% F.S.	± 1%	% F.S.
3	%	3	%
0.002	g/µε	0.02	m/s <sup>2</sup> /µε

**ENVIRONMENTAL**

Shock Max  
Vibration Max  
Temperature Range  
Seal

3000	G pk	29430	m/s <sup>2</sup>
1000	G's	9810	m/s <sup>2</sup>
-60 to +200	*F	-51 to +93	*C
Epoxy		Epoxy	

**ELECTRICAL**

Supply Current Range [3]  
Compliance Voltage Range  
Output Impedance, Typ  
Bias Voltage  
Discharge Time Constant

2 to 20	mA	2 to 20	mA
+ 18 to +20	Volts	+ 18 to +20	Volts
<100	Ω	<100	Ω
7.5 to 9.5	VDC	7.5 to 9.5	VDC
0.5 to 1.5	Sec	0.5 to 1.5	Sec

**This family also includes:**

Model	Sensitivity (mV/g)	Frequency Response (Hz)	Time Constant (Sec)	Operating Temp (*F)

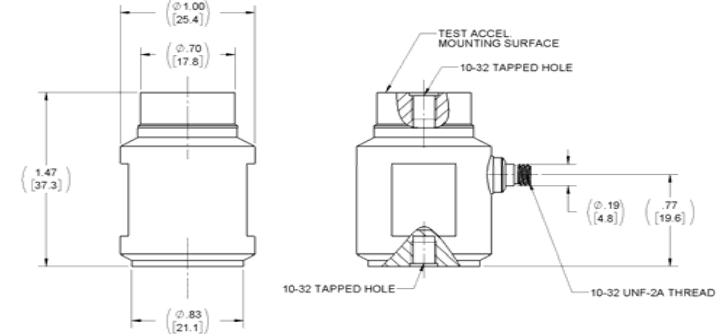
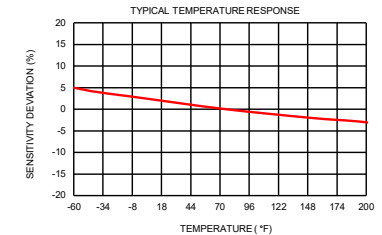
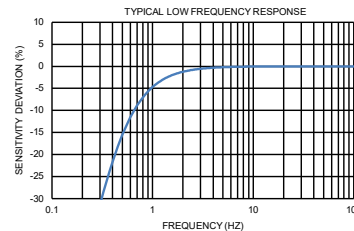
Refer to the performance specifications of the products in this family for detailed description.

**Supplied Accessories:**

- 1) Accredited calibration certificate (ISO 17025)
- 2) Model 6200 Mounting Studs, qty 2

**Notes:**

- [1] Measured at 100 Hz, 1 Grms per ISA RP 37.2
- [2] Measured using zero-based straight line method, % of F.S. or any lesser range.
- [3] Do not apply power to this system without current limiting, 20 mA MAX. To do so will destroy the IC charge amplifier.
- [4] System calibrated at factory with **NIST** traceable transfer standard accelerometer weighing 19 grams. NIST traceability number supplied with each system calibration.
- [5] Mounts in available Model 4200 19-inch wide equipment rack. Up to 10 units fit in one rack.
- [6] In the interest of constant product improvement, we reserve the rights to change the specifications without notice. It is the customer's responsibility to validate that a particular product with the properties described in the product specification is suitable for use in a particular application. Parameters provided in datasheets and / or specifications may vary in different applications and performance may vary overtime. All operating parameters, including typical parameters, must be validated for each customer application by the customer's technical experts.



Units on the line drawing are in inches, units in brackets are in millimeters. Refer to 127-3123A for more information.

