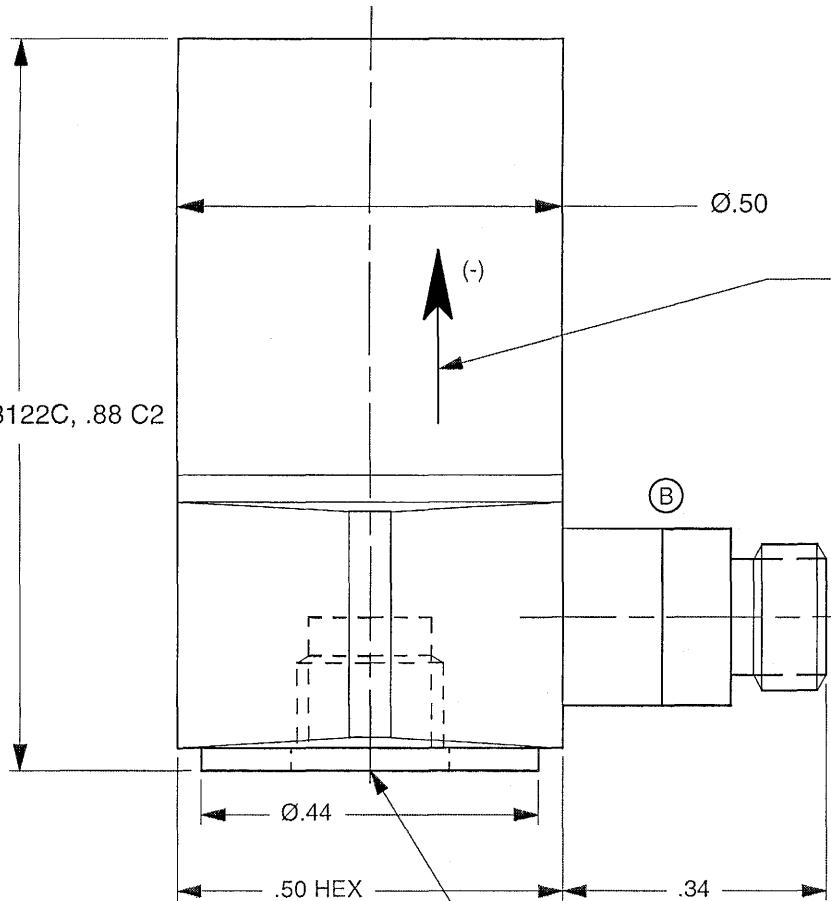


.96 MOD 3122C, .88 C2



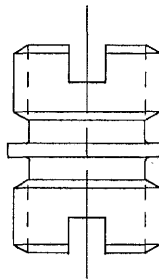
SENSE AND DIRECTION OF ACCELERATION FOR NEGATIVE GOING OUTPUT

10-32 UNF-2B THREADED MOUNTING HOLE X .150 DEEP

MODEL 6200 MOUNTING STUD, MATERIAL: Be Cu (SUPPLIED)

MOUNTING HOLE PREPARATION

PREPARE FLAT MOUNTING SURFACE OVER .50 MIN. DIA., (FLAT TO .001 TIR) BY MILLING, SPOTFACING, TURNING, ETC. AT CENTER, DRILL #21 (Ø.159) X .200 DEEP (MIN.). TAP 10-32 UNF-2B X .150 MIN. DEPTH. CLEAN SURFACES THOROUGHLY TO REMOVE CHIPS AND CUTTING OILS.



REDRAWN ON CAD 5/10/95

EXCEPT AS OTHERWISE NOTED

ALL DIMENSIONS IN INCHES
TOLERANCE: .XXX = ± .XX = ±

SURFACE FINISH EXCEPT AS NOTED ✓

BREAK EDGES TO DEBURR RADIUS OR CHAMFER

△ THESE DIAS ⊙ TO T.I.R.

FILLETS - MAX RAD.

1. CASE MATERIAL: 316L STAINLESS STEEL. UNIT IS NON-MAGNETIC.
2. SEAL: HERMETIC
3. MOUNTING TORQUE ON 1/5" HEX: 20-25 LB-INCHES.
4. WEIGHT-25 GRAMS



MASTER ONLY IF IN RED

CHATSWORTH, CA.

SCALE	4X	REV	B	DATE	2/4/03	ECN	-
DATE	10/31/95	PART NO.	MODEL 3122C & C2				
DRAWN	N.C.	CHECKED	MATERIAL				
APPROVED	[Signature]		NEXT ASSEMBLY		USED ON		
TITLE						DWG NO.	
OUTLINE/INSTALLATION DRAWING MODEL 3122C & C2						127-3122C	
						SHEET 1 OF 1	

Model Number 3122C	PERFORMANCE SPECIFICATIONS	DOC NO PS3122C
CHARGE MODE ACCELEROMETER		REV A, ECN 13551, 07/10/17



- **SMALL SIZE**
- **HERMETICALLY SEALED**
- **HIGH TEMPERATURE**
- **CHARGE MODE**

PHYSICAL

Weight, Max.
Connector
Mounting Provision
Material, Housing/Connector
Sensing Element
Element Style

ENGLISH		SI	
0.88	oz	25	grams
10-32		10-32	
10-32 UNF-2B		10-32 UNF-2B	
300 Series Stainless Steel		300 Series Stainless Steel	
Ceramic		Ceramic	
Compression		Compression	

PERFORMANCE

Sensitivity, +20%/-10% [1]
Range for ± 5 Volts Output
Frequency Response, ±8%
Resonant Frequency
Linearity [3]
Maximum Transverse Sensitivity, Max

50.0	pC/g	5.1	pC/m/s ²
[4]		[4]	
[2] to 5000	Hz	[2] to 5000	Hz
> 25	kHz	> 25	kHz
±2	% F.S.	±2	% F.S.
5	%	5	%

ENVIRONMENTAL

Capactiance, Nom.
Maximum Vibration
Maximum Shock
Operating Temperature Range
Seal
Electrical Isolation

3000	pF	3000	pF
1000	Gpeak	9810	m/s ² peak
2000	Gpeak	19620	m/s ² peak
-60 to +375	°F	-51 to +191	°C
Hermetic		Hermetic	
Case Grounded		Case Grounded	

This family also includes:

Model	Range F.S. (g)	Sensitivity (mV/g)	Time Constant (Sec)
3122C2	-	15	-
3122M8	-	50	-

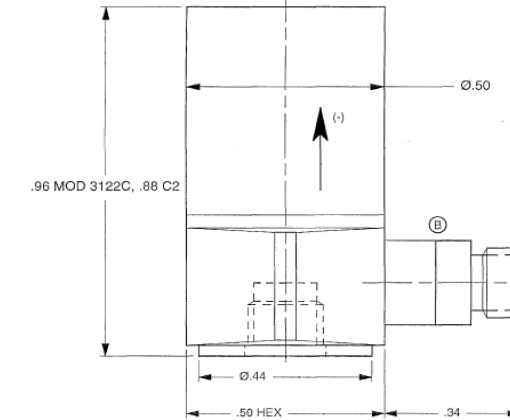
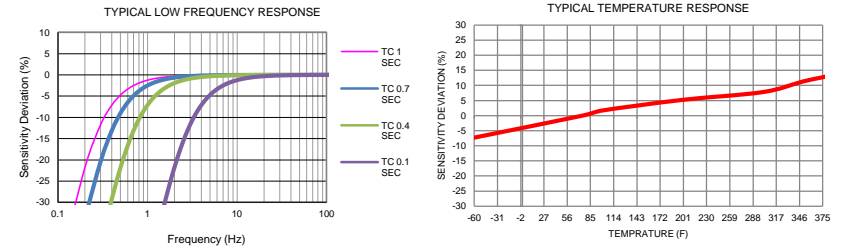
Refer to the performance specifications of the products in this family for detailed description

Supplied Accessories:

- 1) Accredited calibration certificate (ISO 17025)
- 2) Model 6202 Mounting Stud

Notes:

- [1] Measured at 100Hz, 1 Grms per ISA RP 37.2.
- [2] Low frequency response is controlled by charge amplifier discharge time constant and other factors.
- [3] Measure using zero-based straight line method, % of F.S. or any lesser range.
- [4] This parameter depends on the gain settings of the charge amplifier used.



Units on the line drawing are in inches, units in brackets are in millimeters. Refer to 127-3122C for more information.



21592 Marilla Street, Chatsworth, California 91311 Phone: 818.700.7818 Fax:818.700.7880 www.dytran.com
For permission to reprint this content, please contact info@dytran.com