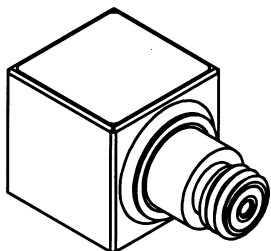
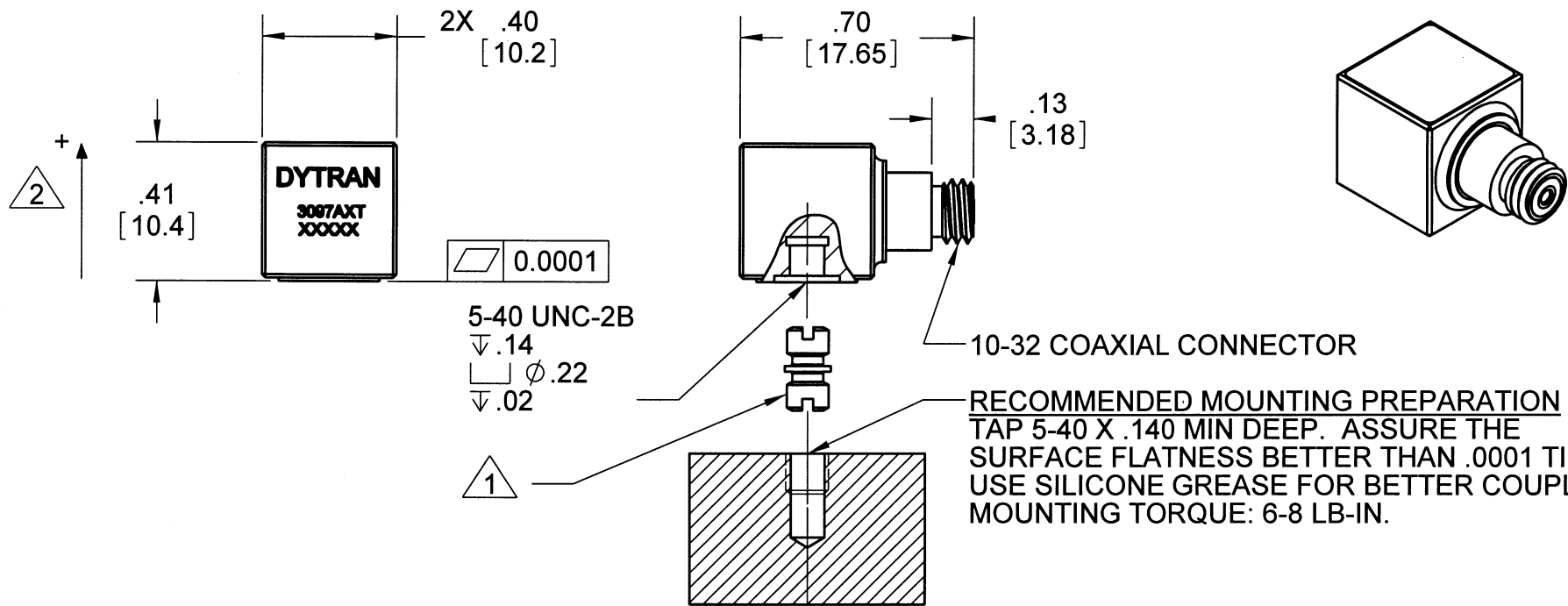


PROPRIETARY AND CONFIDENTIAL

THE INFORMATION CONTAINED IN THIS DRAWING IS THE SOLE PROPERTY OF DYTRAN INSTRUMENTS INC. ANY REPRODUCTION IN PART OR AS A WHOLE WITHOUT THE WRITTEN PERMISSION OF DYTRAN INSTRUMENTS, INC. IS PROHIBITED

REVISIONS

REV	ECN	DESCRIPTION	BY/DATE	CHK	APPR
A	6192	INITIAL RELEASE	RA, 08/20/09	<i>ep</i>	<i>SA</i>



4. HOUSING/CONNECTOR MATERIAL: TITANIUM

3. WEIGHT: 4.3 GRAMS

ARROW DESIGNATES UNIT'S POLARITY

MOUNTING STUD 6580 (5-40 TO 5-40) SUPPLIED

NOTES: UNLESS OTHERWISE SPECIFIED

MODEL	SENSITIVITY
3097A3T	500mV/g
3097A2T	100mV/g
3097A1T	10mV/g

3097AT SERIES	
USED ON	NEXT ASSY
APPLICATION	
THIRD ANGLE PROJECTION USA	

UNLESS OTHERWISE SPECIFIED:
 INTERPRET DIM & TOL PER ASME Y14.5M - 1994.
 REMOVE BURRS.
 COUNTERSINK INTERNAL THDS 90° TO MAJOR DIA.
 CHAM EXT THDS 45° TO MINOR DIA.
 THD LENGTHS AND DEPTHS ARE FOR MIN FULL THDS.
 THDS PER MIL-S-7742.
 DIMENSIONS APPLY AFTER FINISHING.

ALL MACHINED SURFACES. TOTAL RUNOUT WITHIN .005. BREAK SHARP EDGES .005 TO .010. MACHINED FILLET RADII .005 TO .015. WELDING SYMBOLS PER AWS A2.4. ABBREVIATIONS PER MIL-STD-12.

UNLESS OTHERWISE SPECIFIED:
 DIMENSIONS ARE IN INCHES. DIMENSIONS IN BRACKETS [] ARE IN MILLIMETERS
 TOLERANCES ARE:
 INCHES METRIC ANGLES
 .XX ± .03 .X ± 0.8 ± 1°
 .XXX ± .010 .XX ± 0.25

MATERIAL

FINISH

DO NOT SCALE DRAWING

CONTRACT NO.	
APPROVALS	
ORIG	R.A.
CHK	DATE
APP	
APP	

DYTRAN INSTRUMENTS, INC. Chatsworth, CA

MASTER ONLY IF IN RED

TITLE:
**OUTLINE/INSTALLATION DRAWING,
 3097AT TEDS SERIES**

SIZE	CAGE CODE	DWG. NO.	REV
A	2W033	127-3097AT	A

SCALE: 2:1 SOLIDWORKS SHEET 1 OF 1

Model Number 3097A3T	PERFORMANCE SPECIFICATION	DOC NO PS3097A3T
	SINGLE AXIS IEPE PLANAR SHEAR ACCELEROMETERS	REV D, ECN 13572, 07/21/17



- MINIATURE SIZE
- HERMETICALLY SEALED
- EXCELLENT LINEARITY
- TEDS FEATURE

PHYSICAL
 Weight
 Size
 Connector
 Mounting Provision : Tapped Hole
 Material : Base, Cap and Connector
 Element Style

ENGLISH		SI	
Weight	0.15 oz	Weight	4.3 grams
Size	.40 x .40 x .41 Inches	Size	10.16 x 10.16 x 10.41 mm
Connector	10-32 Coaxial Type	Connector	10-32 Coaxial
Mounting Provision	5-40 UNC-2B	Mounting Provision	5-40 UNC-2B
Material	Titanium	Material	Titanium
Element Style	Ceramic	Element Style	Ceramic
	Planar Shear		Planar Shear

PERFORMANCE
 Sensitivity, ±5% [1]
 Range F.S for ± 5 Volts Output
 Frequency Range, ±5%
 Resonant Frequency, Nominal
 Equivalent Electrical Noise Floor
 Linearity [2]
 Phase Response (±5°)
 Maximum Transverse sensitivity
 Strain Sensitivity

Sensitivity	500 mV/g	Sensitivity	51.02 mV/m/s ²
Range F.S	±10 G's	Range F.S	±98 m/s ²
Frequency Range	0.3 to 5000 Hz	Frequency Range	0.3 to 5000 Hz
Resonant Frequency	> 35 kHz	Resonant Frequency	> 35 kHz
Equivalent Electrical Noise Floor	0.0002 Grms	Equivalent Electrical Noise Floor	0.002 m/s ² rms
Linearity	± 1% % F.S.	Linearity	± 1% % F.S.
Phase Response	3 to 3000 Hz	Phase Response	3 to 3000 Hz
Maximum Transverse sensitivity	5 %	Maximum Transverse sensitivity	5 %
Strain Sensitivity	0.002 g/μs	Strain Sensitivity	0.02 m/s ² /μs

ENVIRONMENTAL
 Maximum Vibration
 Maximum Shock
 Temperature Range
 TEDS Operating Temperature
 Seal, Hermetic

Maximum Vibration	±200 Gpeak	Maximum Vibration	±1962 m/s ² peak
Maximum Shock	±5000 Gpeak	Maximum Shock	±49050 m/s ² peak
Temperature Range	-60 to +150 °F	Temperature Range	-51 to +65 °C
TEDS Operating Temperature	-40 to +185 °F	TEDS Operating Temperature	-40 to +85 °C
Seal, Hermetic	Glass-to-metal/Welded	Seal, Hermetic	Glass-to-metal/Welded

ELECTRICAL
 Supply Current Range [3]
 Compliance Voltage Range
 Output Impedance, Typ
 Bias Voltage
 Discharge Time Constant, Nom
 Output Signal Polarity for Acceleration Towards Top
 Electrical Isolation
 TEDS Feature

Supply Current Range	2 to 20 mA	Supply Current Range	2 to 20 mA
Compliance Voltage Range	+ 18 to +30 Volts	Compliance Voltage Range	+18 to +30 Volts
Output Impedance	100 Ω	Output Impedance	100 Ω
Bias Voltage	+11 to +13 VDC	Bias Voltage	+11 to +13 VDC
Discharge Time Constant	1.5 to 2.5 Sec	Discharge Time Constant	1.5 to 2.5 Sec
Output Signal Polarity	Positive	Output Signal Polarity	Positive
Electrical Isolation	Case Grounded	Electrical Isolation	Case Grounded
TEDS Feature	IEEE 1451.4	TEDS Feature	IEEE 1451.4

This family also includes:

Model	Sensitivity (mV/g)	Range F.S ± 5 Volts (G's)	Max Vibration/Shock(± Gpeak)	Resonant Frequency (kHz)
3097A1T	10	±500	600/5000	40
3237A2T	100	±50	400/5000	40

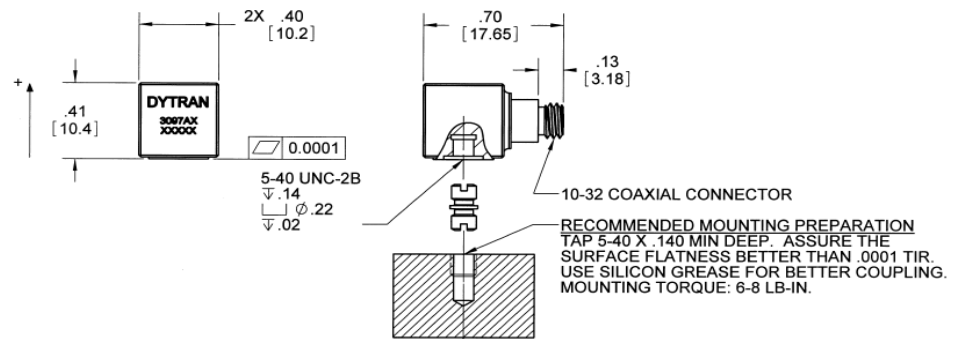
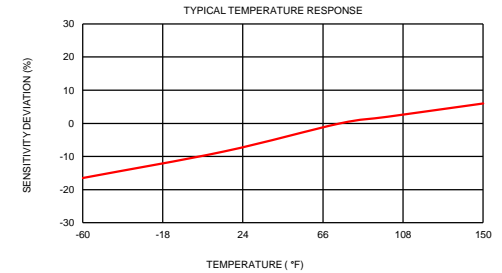
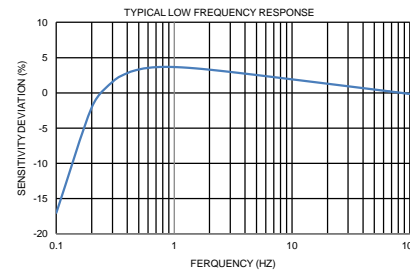
Refer to the performance specifications of the products in this family for detailed description

Supplied Accessories:

- 1) Accredited calibration certificate (ISO 17025)
- 2) Model 6580 mounting stud (5-40 to 5-40), qty 1

Notes:

- [1] Measure at 100Hz, 1 Grms per ISA RP 37.2
- [2] Measure using zero-based straight line method, % of F.S. or any lesser range
- [3] Do not apply power to this system without current limiting, 20 mA MAX. To do so will destroy the IC charge amplifier



Units on the line drawing are in inches, units in brackets are in millimeters. Refer to 127-3097A for more information.



21592 Marilla Street, Chatsworth, California 91311 Phone: 818.700.7818 Fax: 818.700.7880 www.dytran.com
 For permission to reprint this content, please contact info@dytran.com