

PROPRIETARY AND CONFIDENTIAL

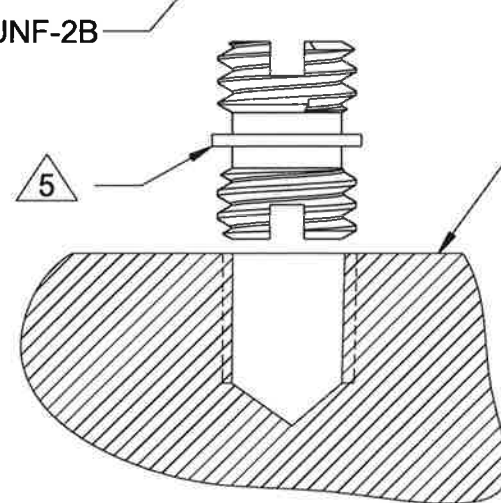
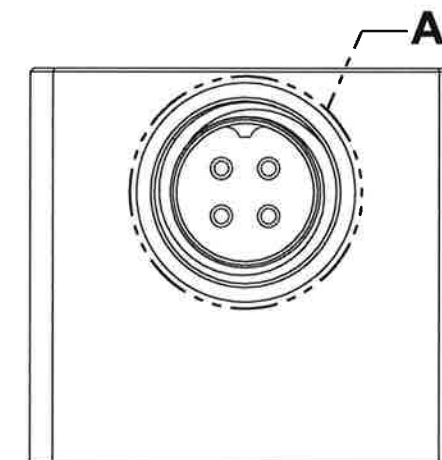
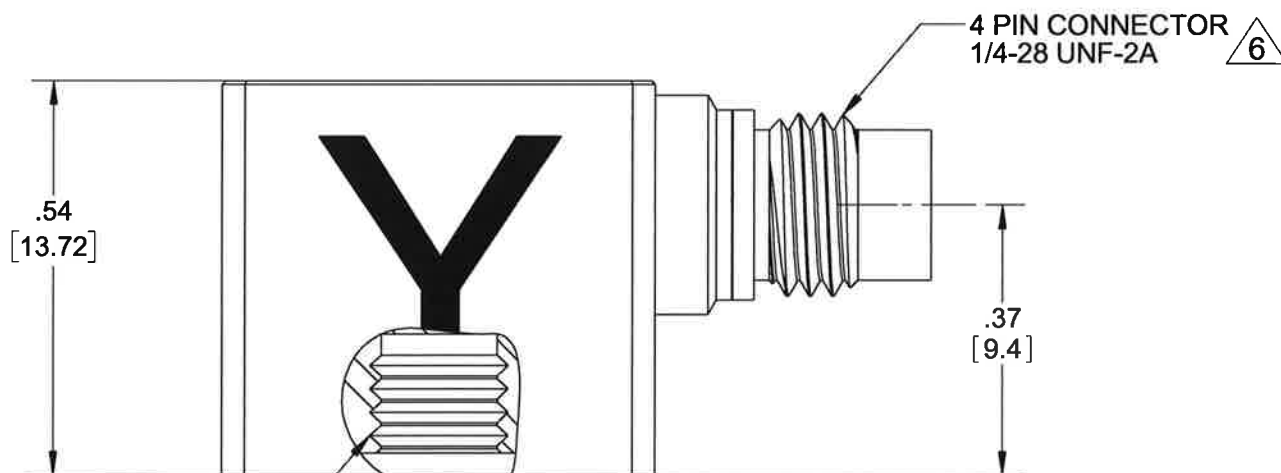
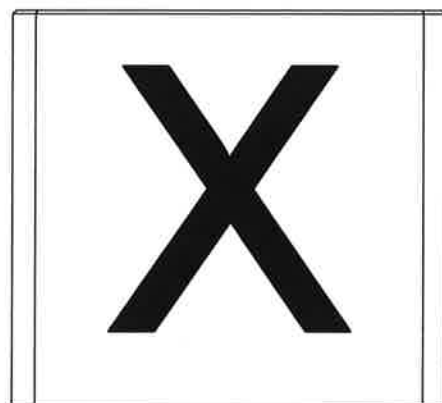
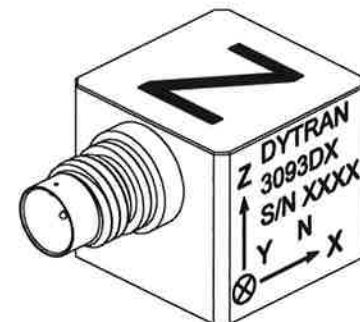
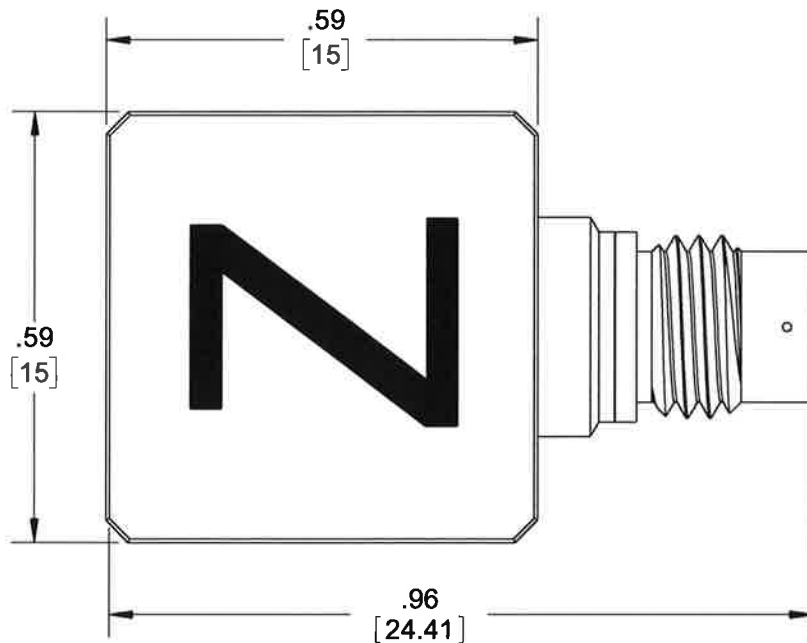
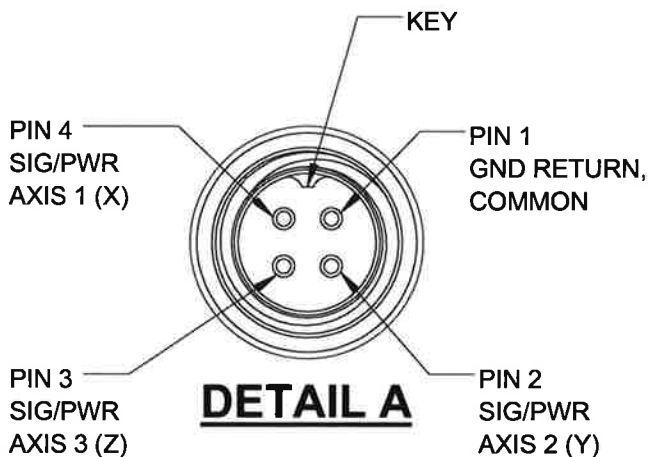
THE INFORMATION CONTAINED IN THIS DRAWING IS THE SOLE PROPERTY OF DYTRAN INSTRUMENTS INC. ANY REPRODUCTION IN PART OR AS A WHOLE WITHOUT THE WRITTEN PERMISSION OF DYTRAN INSTRUMENTS INC. IS PROHIBITED

REVISIONS

REV.	ECN	DESCRIPTION	BY/DATE	CHK	APPR
A	11879	INITIAL RELEASE	JS 11/02/16	LA	LN

VARIATION TABLE

MODEL NO.	SENSITIVITY
3093D1	1 mV/g
3093D2	5 mV/g
3093D3	10 mV/g
3093D4	20 mV/g
3093D5	25 mV/g
3093D6	50 mV/g
3093D7	100 mV/g



MOUNTING RECOMMENDATIONS:
 PREPARE MOUNTING SURFACE FLAT TO .001TIR.
 DRILL AND TAP 10-32 UNF-2B .188 [4.76] MINIMUM.
 RECOMMENDED MOUNTING TORQUE: 10-12 LB IN.
 FOR BEST FREQUENCY RESPONSE MOUNTING SURFACE
 MUST CONTACT ENTIRE ACCELEROMETER MOUNTING
 SURFACE.

- 6 MATES WITH DYTRAN CABLE 6811AXX (XX=LENGTH IN FEET)
 - 5 MOUNTING STUD 10-32 UNF-2A (MODEL 6200 SUPPLIED)
 - 4. ARROWS INDICATE ACCELERATION DIRECTION FOR POSITIVE OUTPUT.
 - 3. HOUSING AND CONNECTOR MATERIAL: TITANIUM
 - 2. WEIGHT: 10 GRAMS APPROX.
 - 1. ENVIRONMENTAL SEAL: HERMETIC
- NOTES: UNLESS OTHERWISE SPECIFIED

UNLESS OTHERWISE SPECIFIED:
 INTERPRET DIM & TOL PER ASME Y14.5M - 1994.
 REMOVE BURRS.
 COUNTERSINK INTERNAL THDS 90° TO MAJOR DIA.
 CHAM EXT THDS 45° TO MINOR DIA.
 THD LENGTHS AND DEPTHS ARE FOR MIN FULL THDS.
 DIMENSIONS APPLY AFTER FINISHING.

ALL MACHINED SURFACES:
 TOTAL RUNOUT WITHIN .005.
 BREAK SHARP EDGES .005 TO .010.
 MACHINED FILLET RADII .005 TO .015.
 WELDING SYMBOLS PER AWS A2.4.
 ABBREVIATIONS PER MIL-STD-12.

DECIMALS	METRIC	ANGLES
.XX ±.03	.X ± 0.8	±1°
.XXX ±.010	.XX ±0.25	

APPROVALS	DATE
ORIG JS	11/02/16
CHK LA	11/17/16
APP LN	11/17/16

DO NOT SCALE DRAWING

THIRD ANGLE PROJECTION USA

DYTRAN INSTRUMENTS, INC. Chatsworth, CA
MASTER COPY ONLY IN RED

TITLE: **OUTLINE/ INSTALLATION DRAWING 3093D1-7**

SIZE	CAGE CODE	DWG NO	REV
B	2W033	127-3093D	A

SCALE: 4:1 SHEET 1 OF 1

Model Number	PERFORMANCE SPECIFICATION				DOC NO																																																																																								
3093D4	Accelerometer, Triaxial, IEPE				PS3093D4 REV E, ECN 13645, 08/02/17																																																																																								
<div data-bbox="205 175 407 341" style="float: left; margin-right: 20px;"> </div> <ul style="list-style-type: none"> • CASE ISOLATED • HERMETICALLY SEALED • STUD MOUNTED 																																																																																													
<table border="1" style="width: 100%; border-collapse: collapse;"> <thead> <tr> <th style="width: 15%;"></th> <th style="width: 15%;">ENGLISH</th> <th style="width: 15%;"></th> <th style="width: 15%;">SI</th> <th style="width: 15%;"></th> <th style="width: 15%;"></th> <th style="width: 15%;"></th> </tr> </thead> </table>								ENGLISH		SI																																																																																			
	ENGLISH		SI																																																																																										
<table border="1" style="width: 100%; border-collapse: collapse;"> <thead> <tr> <th style="width: 15%;"></th> <th style="width: 15%;">ENGLISH</th> <th style="width: 15%;"></th> <th style="width: 15%;">SI</th> <th style="width: 15%;"></th> <th style="width: 15%;"></th> <th style="width: 15%;"></th> </tr> </thead> <tbody> <tr> <td>Weight, Max.</td> <td>0.35</td> <td>oz</td> <td>10.0</td> <td>grams</td> <td></td> <td></td> </tr> <tr> <td>Mounting Stud Mount</td> <td>10-32 UNF-2A</td> <td>screw</td> <td>10-32 UNF-2A</td> <td>screw</td> <td></td> <td></td> </tr> <tr> <td>Connector [1]</td> <td>4-pin, 1/4-28</td> <td>Type</td> <td>4-pin, 1/4-28</td> <td></td> <td></td> <td></td> </tr> <tr> <td rowspan="2">Housing</td> <td>Titanium</td> <td>Material</td> <td>Titanium</td> <td></td> <td></td> <td></td> </tr> <tr> <td>Titanium</td> <td>Material</td> <td>Titanium</td> <td></td> <td></td> <td></td> </tr> <tr> <td rowspan="2">Sensing Element</td> <td>Case Isolated</td> <td>Isolation</td> <td>Case Isolated</td> <td></td> <td></td> <td></td> </tr> <tr> <td>Ceramic</td> <td>Material</td> <td>Ceramic</td> <td></td> <td></td> <td></td> </tr> <tr> <td></td> <td>Shear</td> <td>Mode</td> <td>Shear</td> <td></td> <td></td> <td></td> </tr> </tbody> </table>								ENGLISH		SI				Weight, Max.	0.35	oz	10.0	grams			Mounting Stud Mount	10-32 UNF-2A	screw	10-32 UNF-2A	screw			Connector [1]	4-pin, 1/4-28	Type	4-pin, 1/4-28				Housing	Titanium	Material	Titanium				Titanium	Material	Titanium				Sensing Element	Case Isolated	Isolation	Case Isolated				Ceramic	Material	Ceramic					Shear	Mode	Shear																													
	ENGLISH		SI																																																																																										
Weight, Max.	0.35	oz	10.0	grams																																																																																									
Mounting Stud Mount	10-32 UNF-2A	screw	10-32 UNF-2A	screw																																																																																									
Connector [1]	4-pin, 1/4-28	Type	4-pin, 1/4-28																																																																																										
Housing	Titanium	Material	Titanium																																																																																										
	Titanium	Material	Titanium																																																																																										
Sensing Element	Case Isolated	Isolation	Case Isolated																																																																																										
	Ceramic	Material	Ceramic																																																																																										
	Shear	Mode	Shear																																																																																										
<p>PERFORMANCE</p> <table border="1" style="width: 100%; border-collapse: collapse;"> <thead> <tr> <th style="width: 15%;"></th> <th style="width: 15%;">ENGLISH</th> <th style="width: 15%;"></th> <th style="width: 15%;">SI</th> <th style="width: 15%;"></th> <th style="width: 15%;"></th> <th style="width: 15%;"></th> </tr> </thead> <tbody> <tr> <td>Sensitivity, +/-5% [2]</td> <td>20</td> <td>mV/g</td> <td>2.0</td> <td>mV/m/s²</td> <td></td> <td></td> </tr> <tr> <td>Acceleration Range, ±</td> <td>250</td> <td>Gpeak</td> <td>2453</td> <td>m/s² peak</td> <td></td> <td></td> </tr> <tr> <td>Frequency Range, ±5%</td> <td>.6-5000</td> <td>Hz</td> <td>.6-5000</td> <td>Hz</td> <td></td> <td></td> </tr> <tr> <td>Resonance Frequency</td> <td>> 30</td> <td>kHz</td> <td>> 30</td> <td>kHz</td> <td></td> <td></td> </tr> <tr> <td>Linearity [3]</td> <td>1</td> <td>%F.S.</td> <td>1</td> <td>%F.S.</td> <td></td> <td></td> </tr> <tr> <td>Transverse Sensitivity Max.</td> <td>6</td> <td>%</td> <td>6</td> <td>%</td> <td></td> <td></td> </tr> <tr> <td>Noise floor</td> <td>0.0035</td> <td>Grms</td> <td>0.03</td> <td>m/s² rms</td> <td></td> <td></td> </tr> <tr> <td rowspan="5">Spectral Noise</td> <td>1Hz</td> <td>1000</td> <td>μGrms/sqr(Hz)</td> <td>9810</td> <td>μm/s² rms/sqr(Hz)</td> <td></td> </tr> <tr> <td>10Hz</td> <td>700</td> <td>μGrms/sqr(Hz)</td> <td>6867</td> <td>μm/s² rms/sqr(Hz)</td> <td></td> </tr> <tr> <td>100Hz</td> <td>450</td> <td>μGrms/sqr(Hz)</td> <td>4414.5</td> <td>μm/s² rms/sqr(Hz)</td> <td></td> </tr> <tr> <td>1000Hz</td> <td>250</td> <td>μGrms/sqr(Hz)</td> <td>2452.5</td> <td>μm/s² rms/sqr(Hz)</td> <td></td> </tr> <tr> <td>10000Hz</td> <td>100</td> <td>μGrms/sqr(Hz)</td> <td>981</td> <td>μm/s² rms/sqr(Hz)</td> <td></td> </tr> </tbody> </table>								ENGLISH		SI				Sensitivity, +/-5% [2]	20	mV/g	2.0	mV/m/s ²			Acceleration Range, ±	250	Gpeak	2453	m/s ² peak			Frequency Range, ±5%	.6-5000	Hz	.6-5000	Hz			Resonance Frequency	> 30	kHz	> 30	kHz			Linearity [3]	1	%F.S.	1	%F.S.			Transverse Sensitivity Max.	6	%	6	%			Noise floor	0.0035	Grms	0.03	m/s ² rms			Spectral Noise	1Hz	1000	μGrms/sqr(Hz)	9810	μm/s ² rms/sqr(Hz)		10Hz	700	μGrms/sqr(Hz)	6867	μm/s ² rms/sqr(Hz)		100Hz	450	μGrms/sqr(Hz)	4414.5	μm/s ² rms/sqr(Hz)		1000Hz	250	μGrms/sqr(Hz)	2452.5	μm/s ² rms/sqr(Hz)		10000Hz	100	μGrms/sqr(Hz)	981	μm/s ² rms/sqr(Hz)	
	ENGLISH		SI																																																																																										
Sensitivity, +/-5% [2]	20	mV/g	2.0	mV/m/s ²																																																																																									
Acceleration Range, ±	250	Gpeak	2453	m/s ² peak																																																																																									
Frequency Range, ±5%	.6-5000	Hz	.6-5000	Hz																																																																																									
Resonance Frequency	> 30	kHz	> 30	kHz																																																																																									
Linearity [3]	1	%F.S.	1	%F.S.																																																																																									
Transverse Sensitivity Max.	6	%	6	%																																																																																									
Noise floor	0.0035	Grms	0.03	m/s ² rms																																																																																									
Spectral Noise	1Hz	1000	μGrms/sqr(Hz)	9810	μm/s ² rms/sqr(Hz)																																																																																								
	10Hz	700	μGrms/sqr(Hz)	6867	μm/s ² rms/sqr(Hz)																																																																																								
	100Hz	450	μGrms/sqr(Hz)	4414.5	μm/s ² rms/sqr(Hz)																																																																																								
	1000Hz	250	μGrms/sqr(Hz)	2452.5	μm/s ² rms/sqr(Hz)																																																																																								
	10000Hz	100	μGrms/sqr(Hz)	981	μm/s ² rms/sqr(Hz)																																																																																								
<p>ELECTRICAL</p> <table border="1" style="width: 100%; border-collapse: collapse;"> <thead> <tr> <th style="width: 15%;"></th> <th style="width: 15%;">ENGLISH</th> <th style="width: 15%;"></th> <th style="width: 15%;">SI</th> <th style="width: 15%;"></th> <th style="width: 15%;"></th> <th style="width: 15%;"></th> </tr> </thead> <tbody> <tr> <td>Supply Current Range [4]</td> <td>2 to 20</td> <td>mA</td> <td>2 to 20</td> <td>mA</td> <td></td> <td></td> </tr> <tr> <td>Compliance Voltage Range</td> <td>+18 to +30</td> <td>VDC</td> <td>+18 to +30</td> <td>VDC</td> <td></td> <td></td> </tr> <tr> <td>Output Impedance, Typ.</td> <td>100</td> <td>Ω</td> <td>100</td> <td>Ω</td> <td></td> <td></td> </tr> <tr> <td>Output Bias Voltage</td> <td>+11 to +13</td> <td>VDC</td> <td>+11 to +13</td> <td>VDC</td> <td></td> <td></td> </tr> <tr> <td>Discharge Time Constant</td> <td>0.7 to 1.7</td> <td>sec</td> <td>0.7 to 1.7</td> <td>sec</td> <td></td> <td></td> </tr> <tr> <td>Electrical Isolation, Min.</td> <td>10</td> <td>GΩ</td> <td>10</td> <td>GΩ</td> <td></td> <td></td> </tr> </tbody> </table>								ENGLISH		SI				Supply Current Range [4]	2 to 20	mA	2 to 20	mA			Compliance Voltage Range	+18 to +30	VDC	+18 to +30	VDC			Output Impedance, Typ.	100	Ω	100	Ω			Output Bias Voltage	+11 to +13	VDC	+11 to +13	VDC			Discharge Time Constant	0.7 to 1.7	sec	0.7 to 1.7	sec			Electrical Isolation, Min.	10	GΩ	10	GΩ																																								
	ENGLISH		SI																																																																																										
Supply Current Range [4]	2 to 20	mA	2 to 20	mA																																																																																									
Compliance Voltage Range	+18 to +30	VDC	+18 to +30	VDC																																																																																									
Output Impedance, Typ.	100	Ω	100	Ω																																																																																									
Output Bias Voltage	+11 to +13	VDC	+11 to +13	VDC																																																																																									
Discharge Time Constant	0.7 to 1.7	sec	0.7 to 1.7	sec																																																																																									
Electrical Isolation, Min.	10	GΩ	10	GΩ																																																																																									
<p>ENVIRONMENTAL</p> <table border="1" style="width: 100%; border-collapse: collapse;"> <thead> <tr> <th style="width: 15%;"></th> <th style="width: 15%;">ENGLISH</th> <th style="width: 15%;"></th> <th style="width: 15%;">SI</th> <th style="width: 15%;"></th> <th style="width: 15%;"></th> <th style="width: 15%;"></th> </tr> </thead> <tbody> <tr> <td>Shock Max., ±</td> <td>500</td> <td>g pk</td> <td>4905</td> <td>m/s²</td> <td></td> <td></td> </tr> <tr> <td>Vibration Max., ±</td> <td>300</td> <td>g pk</td> <td>2943</td> <td>m/s²</td> <td></td> <td></td> </tr> <tr> <td>Operating Temperature</td> <td>-60 to +250</td> <td>°F</td> <td>-51 to +121</td> <td>°C</td> <td></td> <td></td> </tr> <tr> <td>Seal</td> <td>Hermetic</td> <td></td> <td>Hermetic</td> <td></td> <td></td> <td></td> </tr> <tr> <td>Magnetic Sensitivity at 100 Gauss</td> <td>0.00007</td> <td>g/Gauss</td> <td>0.0007</td> <td>m/s²/Gauss</td> <td></td> <td></td> </tr> <tr> <td>Base Strain Sensitivity</td> <td>0.05</td> <td>g/με</td> <td>0.4905</td> <td>m/s²/με</td> <td></td> <td></td> </tr> </tbody> </table>								ENGLISH		SI				Shock Max., ±	500	g pk	4905	m/s ²			Vibration Max., ±	300	g pk	2943	m/s ²			Operating Temperature	-60 to +250	°F	-51 to +121	°C			Seal	Hermetic		Hermetic				Magnetic Sensitivity at 100 Gauss	0.00007	g/Gauss	0.0007	m/s ² /Gauss			Base Strain Sensitivity	0.05	g/με	0.4905	m/s ² /με																																								
	ENGLISH		SI																																																																																										
Shock Max., ±	500	g pk	4905	m/s ²																																																																																									
Vibration Max., ±	300	g pk	2943	m/s ²																																																																																									
Operating Temperature	-60 to +250	°F	-51 to +121	°C																																																																																									
Seal	Hermetic		Hermetic																																																																																										
Magnetic Sensitivity at 100 Gauss	0.00007	g/Gauss	0.0007	m/s ² /Gauss																																																																																									
Base Strain Sensitivity	0.05	g/με	0.4905	m/s ² /με																																																																																									
<p>This family also includes:</p> <table border="1" style="width: 100%; border-collapse: collapse;"> <thead> <tr> <th>Model</th> <th>Sensitivity (mV/g)</th> <th>Range (Gpeak)</th> <th>Resolution (Grms)</th> <th>Oper. Temp (°F)</th> <th>TC</th> </tr> </thead> <tbody> <tr> <td>3093D1</td> <td>1</td> <td>5000</td> <td>0.07</td> <td>-60 to +250</td> <td>0.7 to 1.7</td> </tr> <tr> <td>3093D2</td> <td>5</td> <td>1000</td> <td>0.014</td> <td>-60 to +250</td> <td>0.7 to 1.7</td> </tr> <tr> <td>3093D3</td> <td>10</td> <td>500</td> <td>0.007</td> <td>-60 to +250</td> <td>0.7 to 1.7</td> </tr> <tr> <td>3093D5</td> <td>25</td> <td>200</td> <td>0.0028</td> <td>-60 to +235</td> <td>0.7 to 1.7</td> </tr> <tr> <td>3093D6</td> <td>50</td> <td>100</td> <td>0.0014</td> <td>-60 to +225</td> <td>0.7 to 1.7</td> </tr> <tr> <td>3093D7</td> <td>100</td> <td>50</td> <td>0.0007</td> <td>-60 to +225</td> <td>0.7 to 1.7</td> </tr> </tbody> </table> <p>Refer to performance specifications of products in this family for detailed description</p> <p>Supplied Accessories:</p> <ol style="list-style-type: none"> Model 6200 Mounting Stud Supplied, Qty: 1 Accredited Calibration Certificate (ISO 17025) <p>Notes:</p> <ol style="list-style-type: none"> Glass to Metal seal connector. Mates with Dytran cable Model 6811AXX (XX=length in feet) Measured at 100 Hz, 1 Grms per ISA RP 37.2 Measured using zero-based straight line method, % of F.S. or any lesser range. □ Do not apply power to this device without current limiting, 20mA Max. To do so will destroy the integral IC amplifier. In the interest of constant product improvement, we reserve the right to change specifications without notice. <div style="display: flex; justify-content: space-around; margin-top: 20px;"> <div data-bbox="1050 714 1449 1006"> <p>TYPICAL LOW FREQUENCY RESPONSE</p> </div> <div data-bbox="1470 714 1890 1006"> <p>TYPICAL SENSITIVITY RESPONSE OVER TEMPERATURE</p> </div> </div> <div style="text-align: center; margin-top: 20px;"> <p>4 PIN CONNECTOR OR 1/4-28 UNF-2A</p> </div> <p>Units on the line drawing are in inches, units in brackets are in millimeters. Refer to 127-3093D for more information.</p>							Model	Sensitivity (mV/g)	Range (Gpeak)	Resolution (Grms)	Oper. Temp (°F)	TC	3093D1	1	5000	0.07	-60 to +250	0.7 to 1.7	3093D2	5	1000	0.014	-60 to +250	0.7 to 1.7	3093D3	10	500	0.007	-60 to +250	0.7 to 1.7	3093D5	25	200	0.0028	-60 to +235	0.7 to 1.7	3093D6	50	100	0.0014	-60 to +225	0.7 to 1.7	3093D7	100	50	0.0007	-60 to +225	0.7 to 1.7																																													
Model	Sensitivity (mV/g)	Range (Gpeak)	Resolution (Grms)	Oper. Temp (°F)	TC																																																																																								
3093D1	1	5000	0.07	-60 to +250	0.7 to 1.7																																																																																								
3093D2	5	1000	0.014	-60 to +250	0.7 to 1.7																																																																																								
3093D3	10	500	0.007	-60 to +250	0.7 to 1.7																																																																																								
3093D5	25	200	0.0028	-60 to +235	0.7 to 1.7																																																																																								
3093D6	50	100	0.0014	-60 to +225	0.7 to 1.7																																																																																								
3093D7	100	50	0.0007	-60 to +225	0.7 to 1.7																																																																																								
<div style="display: flex; align-items: center;"> <p>21592 Marilla Street, Chatsworth, California 91311 Phone: 818.700.7818 Fax: 818.700.7880 www.dytran.com For permission to reprint this content, please contact info@dytran.com</p> </div>																																																																																													