

PROPRIETARY AND CONFIDENTIAL

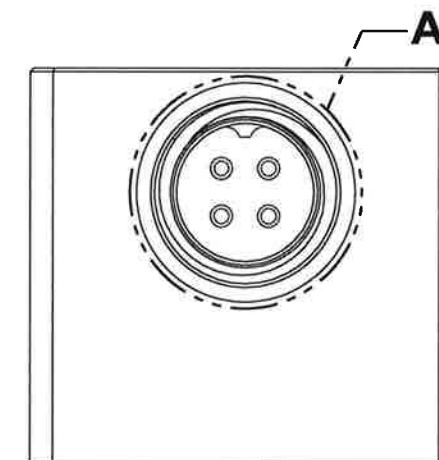
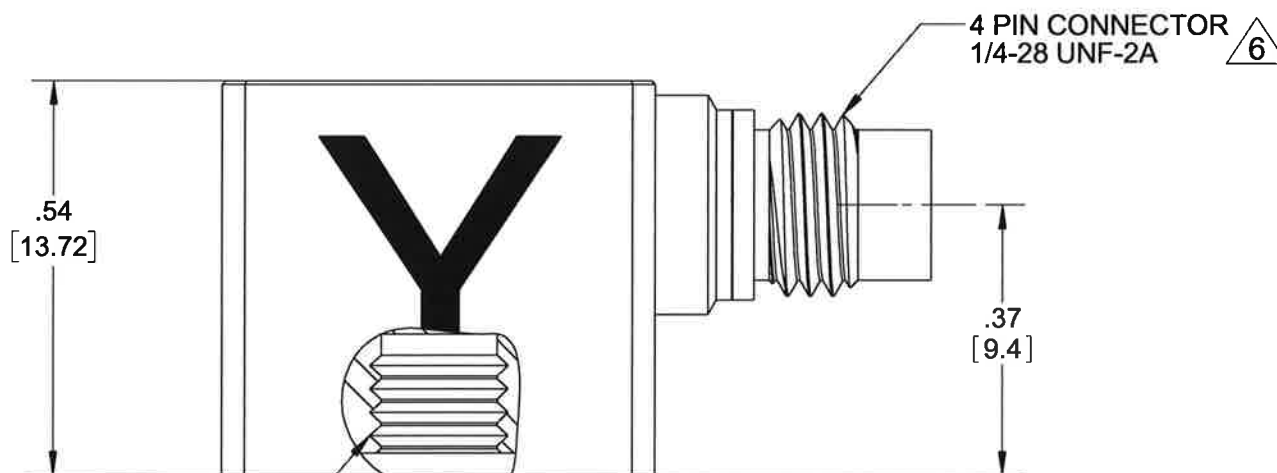
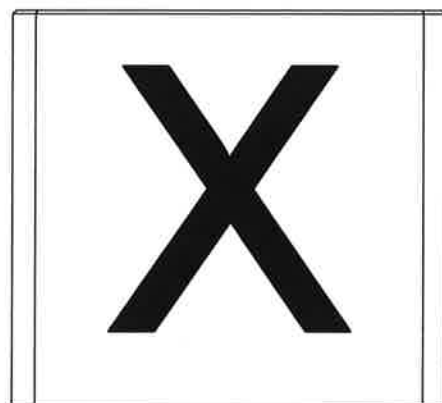
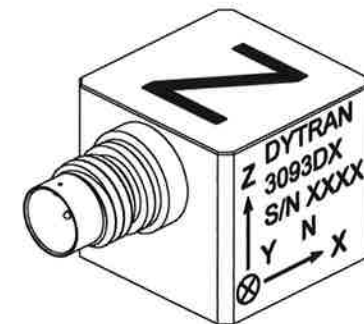
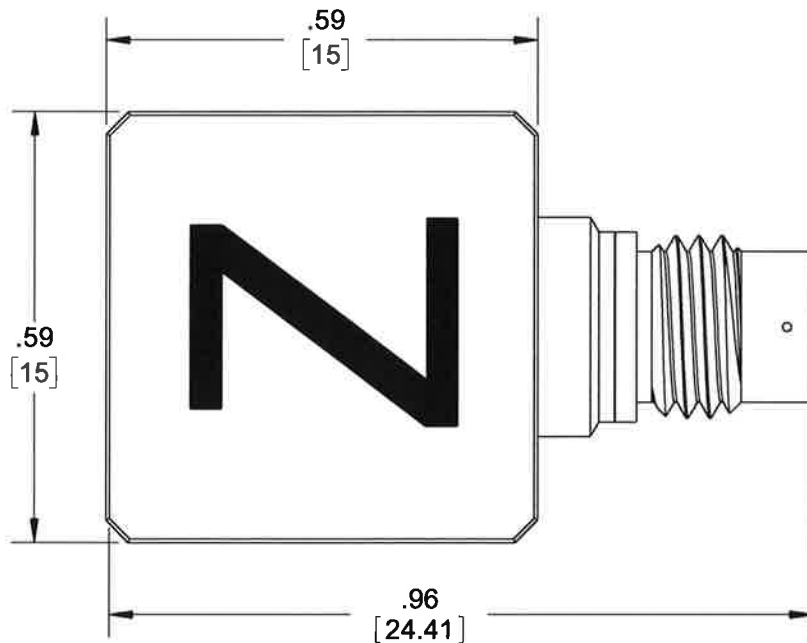
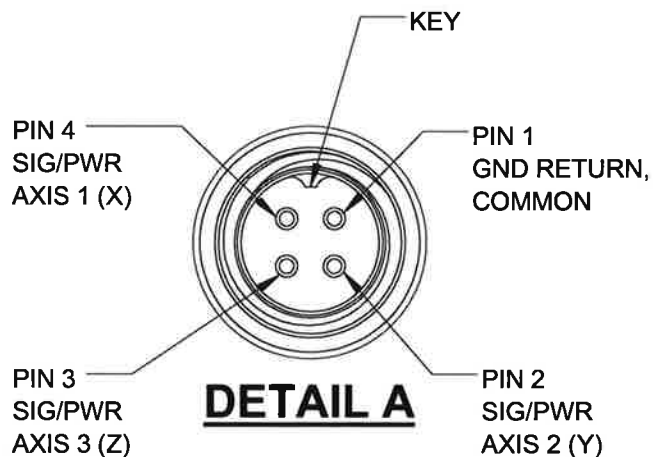
THE INFORMATION CONTAINED IN THIS DRAWING IS THE SOLE PROPERTY OF DYTRAN INSTRUMENTS INC. ANY REPRODUCTION IN PART OR AS A WHOLE WITHOUT THE WRITTEN PERMISSION OF DYTRAN INSTRUMENTS INC. IS PROHIBITED

REVISIONS

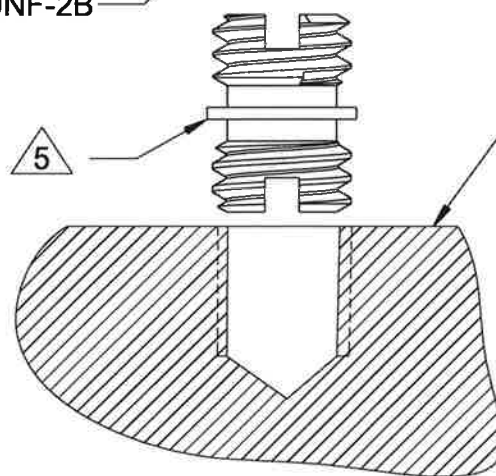
REV.	ECN	DESCRIPTION	BY/DATE	CHK	APPR
A	11879	INITIAL RELEASE	JS 11/02/16	LA	LW

VARIATION TABLE

MODEL NO.	SENSITIVITY
3093D1	1 mV/g
3093D2	5 mV/g
3093D3	10 mV/g
3093D4	20 mV/g
3093D5	25 mV/g
3093D6	50 mV/g
3093D7	100 mV/g



10-32 UNF-2B



MOUNTING RECOMMENDATIONS:
 PREPARE MOUNTING SURFACE FLAT TO .001TIR.
 DRILL AND TAP 10-32 UNF-2B ∇ .188 [4.76] MINIMUM.
 RECOMMENDED MOUNTING TORQUE: 10-12 LB IN.
 FOR BEST FREQUENCY RESPONSE MOUNTING SURFACE
 MUST CONTACT ENTIRE ACCELEROMETER MOUNTING SURFACE.

6 MATES WITH DYTRAN CABLE 6811AXX (XX=LENGTH IN FEET)

5 MOUNTING STUD 10-32 UNF-2A (MODEL 6200 SUPPLIED)

4. ARROWS INDICATE ACCELERATION DIRECTION FOR POSITIVE OUTPUT.

3. HOUSING AND CONNECTOR MATERIAL: TITANIUM

2. WEIGHT: 10 GRAMS APPROX.

1. ENVIRONMENTAL SEAL: HERMETIC

NOTES: UNLESS OTHERWISE SPECIFIED

UNLESS OTHERWISE SPECIFIED:
 INTERPRET DIM & TOL PER ASME Y14.5M - 1994.
 REMOVE BURRS.
 COUNTERSINK INTERNAL THDS 90° TO MAJOR DIA.
 CHAM EXT THDS 45° TO MINOR DIA.
 THD LENGTHS AND DEPTHS ARE FOR MIN FULL THDS.
 DIMENSIONS APPLY AFTER FINISHING.

ALL MACHINED SURFACES:
 TOTAL RUNOUT WITHIN .005.
 BREAK SHARP EDGES .005 TO .010.
 MACHINED FILLET RADII .005 TO .015.
 WELDING SYMBOLS PER AWS A2.4.
 ABBREVIATIONS PER MIL-STD-12.

DECIMALS		METRIC		ANGLES
.XX ±.03	.X ± 0.8	.XX ±0.25		±1°
.XXX ±.010				

APPROVALS	DATE
ORIG JS	11/02/16
CHK LA	11/17/16
APP LW	11/17/16


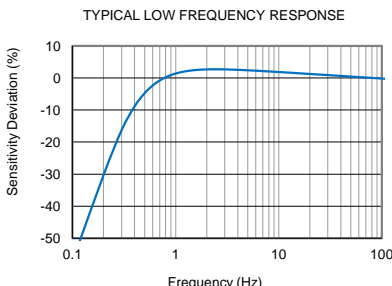
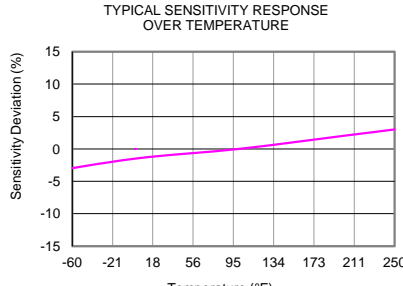
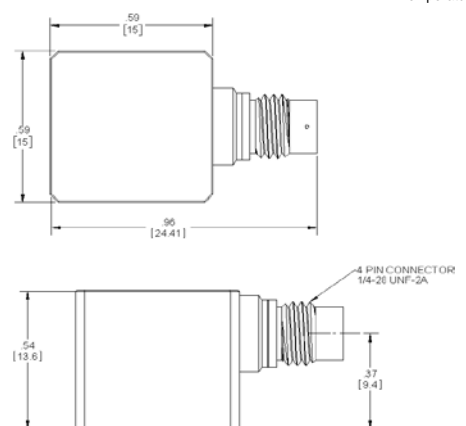

DO NOT SCALE DRAWING

DYTRAN INSTRUMENTS, INC. Chatsworth, CA
MASTER COPY
 ONLY IN RED

TITLE: **OUTLINE/ INSTALLATION DRAWING 3093D1-7**

SIZE B	CAGE CODE 2W033	DWG NO 127-3093D	REV A
---------------	------------------------	-------------------------	--------------

SCALE: 4:1 SHEET 1 OF 1

Model Number	PERFORMANCE SPECIFICATION				DOC NO																																																																	
3093D2	Accelerometer, Triaxial, IEPE				PS3093D2																																																																	
 <ul style="list-style-type: none"> • CASE ISOLATED • HERMETICALLY SEALED • STUD MOUNTED 					<p>REV E, ECN 13645, 08/02/17</p>																																																																	
<p>PHYSICAL</p> <table border="1"> <thead> <tr> <th></th> <th>ENGLISH</th> <th></th> <th>SI</th> <th></th> </tr> </thead> <tbody> <tr> <td>Weight, Max.</td> <td>0.35</td> <td>oz</td> <td>10.0</td> <td>grams</td> </tr> <tr> <td>Mounting Stud Mount</td> <td>10-32 UNF-2A</td> <td>screw</td> <td>10-32 UNF-2A</td> <td>screw</td> </tr> <tr> <td>Connector [1]</td> <td>4-pin, 1/4-28</td> <td>Type</td> <td>4-pin, 1/4-28</td> <td></td> </tr> <tr> <td rowspan="3">Housing</td> <td>Titanium</td> <td>Material</td> <td>Titanium</td> <td></td> </tr> <tr> <td>Titanium</td> <td>Material</td> <td>Titanium</td> <td></td> </tr> <tr> <td>Case Isolated</td> <td>Isolation</td> <td>Case Isolated</td> <td></td> </tr> <tr> <td rowspan="2">Sensing Element</td> <td>Ceramic</td> <td>Material</td> <td>Ceramic</td> <td></td> </tr> <tr> <td>Shear</td> <td>Mode</td> <td>Shear</td> <td></td> </tr> </tbody> </table>						ENGLISH		SI		Weight, Max.	0.35	oz	10.0	grams	Mounting Stud Mount	10-32 UNF-2A	screw	10-32 UNF-2A	screw	Connector [1]	4-pin, 1/4-28	Type	4-pin, 1/4-28		Housing	Titanium	Material	Titanium		Titanium	Material	Titanium		Case Isolated	Isolation	Case Isolated		Sensing Element	Ceramic	Material	Ceramic		Shear	Mode	Shear																									
	ENGLISH		SI																																																																			
Weight, Max.	0.35	oz	10.0	grams																																																																		
Mounting Stud Mount	10-32 UNF-2A	screw	10-32 UNF-2A	screw																																																																		
Connector [1]	4-pin, 1/4-28	Type	4-pin, 1/4-28																																																																			
Housing	Titanium	Material	Titanium																																																																			
	Titanium	Material	Titanium																																																																			
	Case Isolated	Isolation	Case Isolated																																																																			
Sensing Element	Ceramic	Material	Ceramic																																																																			
	Shear	Mode	Shear																																																																			
<p>PERFORMANCE</p> <table border="1"> <thead> <tr> <th></th> <th>ENGLISH</th> <th></th> <th>SI</th> <th></th> </tr> </thead> <tbody> <tr> <td>Sensitivity, +/-5% [2]</td> <td>5</td> <td>mV/g</td> <td>0.51</td> <td>mV/m/s²</td> </tr> <tr> <td>Acceleration Range, ±</td> <td>1000</td> <td>Gpeak</td> <td>9810</td> <td>m/s² peak</td> </tr> <tr> <td>Frequency Range, ±5%</td> <td>.6-5000</td> <td>Hz</td> <td>.6-5000</td> <td>Hz</td> </tr> <tr> <td>Resonance Frequency</td> <td>> 30</td> <td>kHz</td> <td>> 30</td> <td>kHz</td> </tr> <tr> <td>Linearity [3]</td> <td>1</td> <td>%F.S.</td> <td>1</td> <td>%F.S.</td> </tr> <tr> <td>Transverse Sensitivity Max.</td> <td>6</td> <td>%</td> <td>6</td> <td>%</td> </tr> <tr> <td>Noise floor</td> <td>0.014</td> <td>Grms</td> <td>0.14</td> <td>m/s² rms</td> </tr> <tr> <td rowspan="5">Spectral Noise</td> <td>1Hz</td> <td>4000</td> <td>μGrms/sqr(Hz)</td> <td>39240</td> <td>μm/s² rms/sqr(Hz)</td> </tr> <tr> <td>10Hz</td> <td>2800</td> <td>μGrms/sqr(Hz)</td> <td>27468</td> <td>μm/s² rms/sqr(Hz)</td> </tr> <tr> <td>100Hz</td> <td>1800</td> <td>μGrms/sqr(Hz)</td> <td>17658</td> <td>μm/s² rms/sqr(Hz)</td> </tr> <tr> <td>1000Hz</td> <td>1000</td> <td>μGrms/sqr(Hz)</td> <td>9810</td> <td>μm/s² rms/sqr(Hz)</td> </tr> <tr> <td>10000Hz</td> <td>400</td> <td>μGrms/sqr(Hz)</td> <td>3924</td> <td>μm/s² rms/sqr(Hz)</td> </tr> </tbody> </table>						ENGLISH		SI		Sensitivity, +/-5% [2]	5	mV/g	0.51	mV/m/s ²	Acceleration Range, ±	1000	Gpeak	9810	m/s ² peak	Frequency Range, ±5%	.6-5000	Hz	.6-5000	Hz	Resonance Frequency	> 30	kHz	> 30	kHz	Linearity [3]	1	%F.S.	1	%F.S.	Transverse Sensitivity Max.	6	%	6	%	Noise floor	0.014	Grms	0.14	m/s ² rms	Spectral Noise	1Hz	4000	μGrms/sqr(Hz)	39240	μm/s ² rms/sqr(Hz)	10Hz	2800	μGrms/sqr(Hz)	27468	μm/s ² rms/sqr(Hz)	100Hz	1800	μGrms/sqr(Hz)	17658	μm/s ² rms/sqr(Hz)	1000Hz	1000	μGrms/sqr(Hz)	9810	μm/s ² rms/sqr(Hz)	10000Hz	400	μGrms/sqr(Hz)	3924	μm/s ² rms/sqr(Hz)
	ENGLISH		SI																																																																			
Sensitivity, +/-5% [2]	5	mV/g	0.51	mV/m/s ²																																																																		
Acceleration Range, ±	1000	Gpeak	9810	m/s ² peak																																																																		
Frequency Range, ±5%	.6-5000	Hz	.6-5000	Hz																																																																		
Resonance Frequency	> 30	kHz	> 30	kHz																																																																		
Linearity [3]	1	%F.S.	1	%F.S.																																																																		
Transverse Sensitivity Max.	6	%	6	%																																																																		
Noise floor	0.014	Grms	0.14	m/s ² rms																																																																		
Spectral Noise	1Hz	4000	μGrms/sqr(Hz)	39240	μm/s ² rms/sqr(Hz)																																																																	
	10Hz	2800	μGrms/sqr(Hz)	27468	μm/s ² rms/sqr(Hz)																																																																	
	100Hz	1800	μGrms/sqr(Hz)	17658	μm/s ² rms/sqr(Hz)																																																																	
	1000Hz	1000	μGrms/sqr(Hz)	9810	μm/s ² rms/sqr(Hz)																																																																	
	10000Hz	400	μGrms/sqr(Hz)	3924	μm/s ² rms/sqr(Hz)																																																																	
<p>ELECTRICAL</p> <table border="1"> <thead> <tr> <th></th> <th>ENGLISH</th> <th></th> <th>SI</th> <th></th> </tr> </thead> <tbody> <tr> <td>Supply Current Range [4]</td> <td>2 to 20</td> <td>mA</td> <td>2 to 20</td> <td>mA</td> </tr> <tr> <td>Compliance Voltage Range</td> <td>+18 to +30</td> <td>VDC</td> <td>+18 to +30</td> <td>VDC</td> </tr> <tr> <td>Output Impedance, Typ.</td> <td>100</td> <td>Ω</td> <td>100</td> <td>Ω</td> </tr> <tr> <td>Output Bias Voltage</td> <td>+11 to +13</td> <td>VDC</td> <td>+11 to +13</td> <td>VDC</td> </tr> <tr> <td>Discharge Time Constant</td> <td>0.7 to 1.7</td> <td>sec</td> <td>0.7 to 1.7</td> <td>sec</td> </tr> <tr> <td>Electrical Isolation, Min.</td> <td>10</td> <td>GΩ</td> <td>10</td> <td>GΩ</td> </tr> </tbody> </table>						ENGLISH		SI		Supply Current Range [4]	2 to 20	mA	2 to 20	mA	Compliance Voltage Range	+18 to +30	VDC	+18 to +30	VDC	Output Impedance, Typ.	100	Ω	100	Ω	Output Bias Voltage	+11 to +13	VDC	+11 to +13	VDC	Discharge Time Constant	0.7 to 1.7	sec	0.7 to 1.7	sec	Electrical Isolation, Min.	10	GΩ	10	GΩ																															
	ENGLISH		SI																																																																			
Supply Current Range [4]	2 to 20	mA	2 to 20	mA																																																																		
Compliance Voltage Range	+18 to +30	VDC	+18 to +30	VDC																																																																		
Output Impedance, Typ.	100	Ω	100	Ω																																																																		
Output Bias Voltage	+11 to +13	VDC	+11 to +13	VDC																																																																		
Discharge Time Constant	0.7 to 1.7	sec	0.7 to 1.7	sec																																																																		
Electrical Isolation, Min.	10	GΩ	10	GΩ																																																																		
<p>ENVIRONMENTAL</p> <table border="1"> <thead> <tr> <th></th> <th>ENGLISH</th> <th></th> <th>SI</th> <th></th> </tr> </thead> <tbody> <tr> <td>Shock Max., ±</td> <td>2000</td> <td>g pk</td> <td>19620</td> <td>m/s²</td> </tr> <tr> <td>Vibration Max., ±</td> <td>1200</td> <td>g pk</td> <td>11772</td> <td>m/s²</td> </tr> <tr> <td>Operating Temperature</td> <td>-60 to +250</td> <td>°F</td> <td>-51 to +121</td> <td>°C</td> </tr> <tr> <td>Seal</td> <td>Hermetic</td> <td></td> <td>Hermetic</td> <td></td> </tr> <tr> <td>Magnetic Sensitivity at 100 Gauss</td> <td>0.00007</td> <td>g/Gauss</td> <td>0.0007</td> <td>m/s²/Gauss</td> </tr> <tr> <td>Base Strain Sensitivity</td> <td>0.05</td> <td>g/με</td> <td>0.4905</td> <td>m/s²/με</td> </tr> </tbody> </table>						ENGLISH		SI		Shock Max., ±	2000	g pk	19620	m/s ²	Vibration Max., ±	1200	g pk	11772	m/s ²	Operating Temperature	-60 to +250	°F	-51 to +121	°C	Seal	Hermetic		Hermetic		Magnetic Sensitivity at 100 Gauss	0.00007	g/Gauss	0.0007	m/s ² /Gauss	Base Strain Sensitivity	0.05	g/με	0.4905	m/s ² /με																															
	ENGLISH		SI																																																																			
Shock Max., ±	2000	g pk	19620	m/s ²																																																																		
Vibration Max., ±	1200	g pk	11772	m/s ²																																																																		
Operating Temperature	-60 to +250	°F	-51 to +121	°C																																																																		
Seal	Hermetic		Hermetic																																																																			
Magnetic Sensitivity at 100 Gauss	0.00007	g/Gauss	0.0007	m/s ² /Gauss																																																																		
Base Strain Sensitivity	0.05	g/με	0.4905	m/s ² /με																																																																		
<p>This family also includes:</p> <table border="1"> <thead> <tr> <th>Model</th> <th>Sensitivity (mV/g)</th> <th>Range (Gpeak)</th> <th>Resolution (Grms)</th> <th>Oper. Temp (°F)</th> <th>TC</th> </tr> </thead> <tbody> <tr> <td>3093D1</td> <td>1</td> <td>5000</td> <td>0.07</td> <td>-60 to +250</td> <td>0.7 to 1.7</td> </tr> <tr> <td>3093D3</td> <td>10</td> <td>500</td> <td>0.007</td> <td>-60 to +250</td> <td>0.7 to 1.7</td> </tr> <tr> <td>3093D4</td> <td>20</td> <td>250</td> <td>0.0035</td> <td>-60 to +250</td> <td>0.7 to 1.7</td> </tr> <tr> <td>3093D5</td> <td>25</td> <td>200</td> <td>0.0028</td> <td>-60 to +235</td> <td>0.7 to 1.7</td> </tr> <tr> <td>3093D6</td> <td>50</td> <td>100</td> <td>0.0014</td> <td>-60 to +225</td> <td>0.7 to 1.7</td> </tr> <tr> <td>3093D7</td> <td>100</td> <td>50</td> <td>0.0007</td> <td>-60 to +225</td> <td>0.7 to 1.7</td> </tr> </tbody> </table>					Model	Sensitivity (mV/g)	Range (Gpeak)	Resolution (Grms)	Oper. Temp (°F)	TC	3093D1	1	5000	0.07	-60 to +250	0.7 to 1.7	3093D3	10	500	0.007	-60 to +250	0.7 to 1.7	3093D4	20	250	0.0035	-60 to +250	0.7 to 1.7	3093D5	25	200	0.0028	-60 to +235	0.7 to 1.7	3093D6	50	100	0.0014	-60 to +225	0.7 to 1.7	3093D7	100	50	0.0007	-60 to +225	0.7 to 1.7																								
Model	Sensitivity (mV/g)	Range (Gpeak)	Resolution (Grms)	Oper. Temp (°F)	TC																																																																	
3093D1	1	5000	0.07	-60 to +250	0.7 to 1.7																																																																	
3093D3	10	500	0.007	-60 to +250	0.7 to 1.7																																																																	
3093D4	20	250	0.0035	-60 to +250	0.7 to 1.7																																																																	
3093D5	25	200	0.0028	-60 to +235	0.7 to 1.7																																																																	
3093D6	50	100	0.0014	-60 to +225	0.7 to 1.7																																																																	
3093D7	100	50	0.0007	-60 to +225	0.7 to 1.7																																																																	
<p>Refer to performance specifications of products in this family for detailed description</p> <p>Supplied Accessories:</p> <ol style="list-style-type: none"> 1) Model 6200 Mounting Stud Supplied, Qty: 1 2) Accredited Calibration Certificate (ISO 17025) <p>Notes:</p> <ol style="list-style-type: none"> [1] Glass to Metal seal connector. Mates with Dytran cable Model 6811AXX (XX=length in feet) [2] Measured at 100 Hz, 1 Grms per ISA RP 37.2 [3] Measured using zero-based straight line method, % of F.S. or any lesser range. □ [4] Do not apply power to this device without current limiting, 20mA Max. To do so will destroy the integral IC amplifier. [5] In the interest of constant product improvement, we reserve the right to change specifications without notice. 																																																																						
<div style="display: flex; justify-content: space-around;"> <div style="text-align: center;"> <p>TYPICAL LOW FREQUENCY RESPONSE</p>  </div> <div style="text-align: center;"> <p>TYPICAL SENSITIVITY RESPONSE OVER TEMPERATURE</p>  </div> </div> <div style="text-align: center; margin-top: 20px;">  </div> <p>Units on the line drawing are in inches, units in brackets are in millimeters. Refer to 127-3093D for more information.</p>																																																																						
<div style="display: flex; justify-content: space-between; align-items: center;">  <div style="text-align: center;"> <p>21592 Marilla Street, Chatsworth, California 91311 Phone: 818.700.7818 Fax:818.700.7880</p> <p>www.dytran.com For permission to reprint this content, please contact info@dytran.com</p> </div> </div>																																																																						