

PROPRIETARY AND CONFIDENTIAL

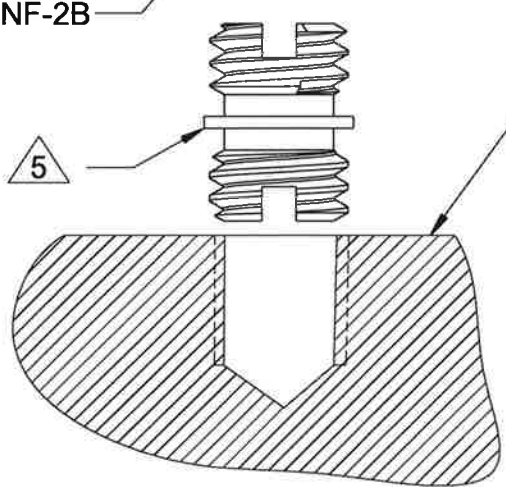
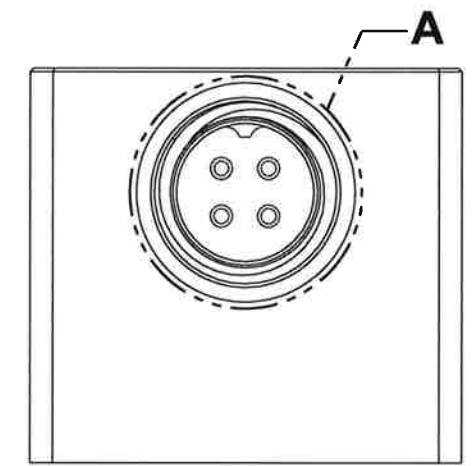
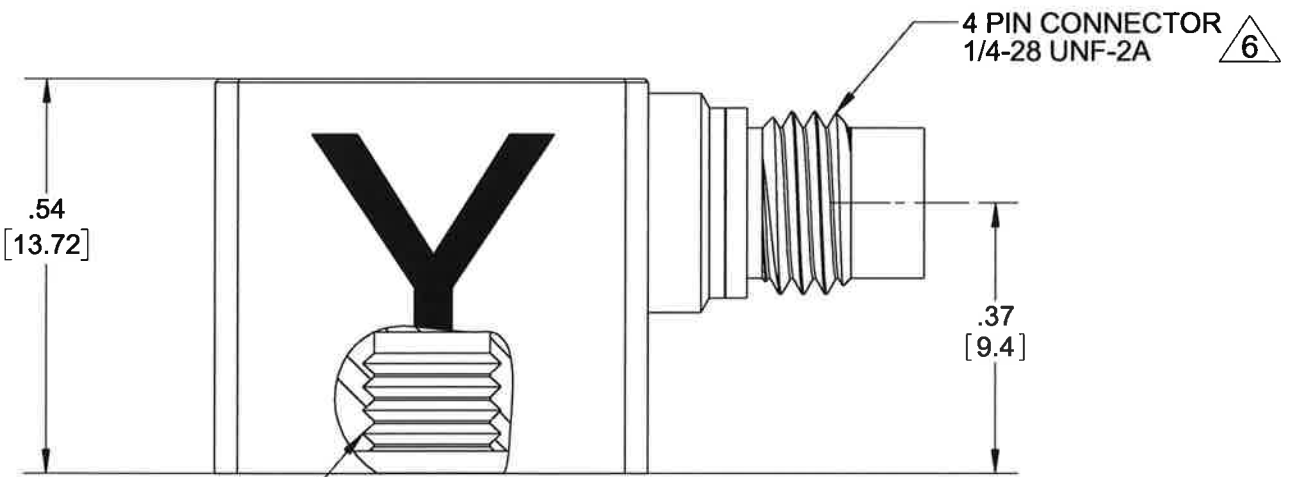
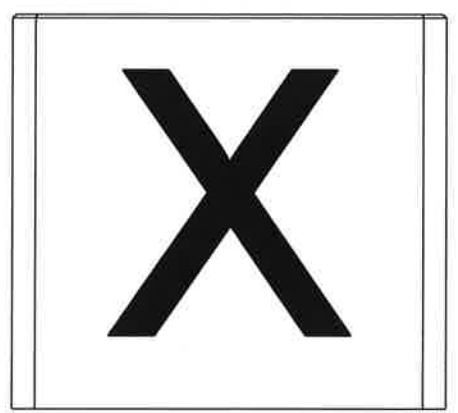
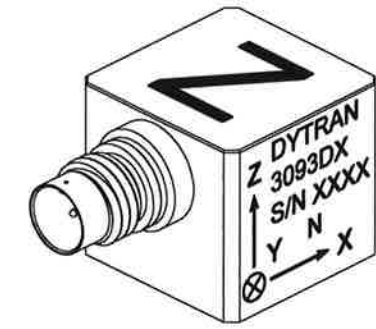
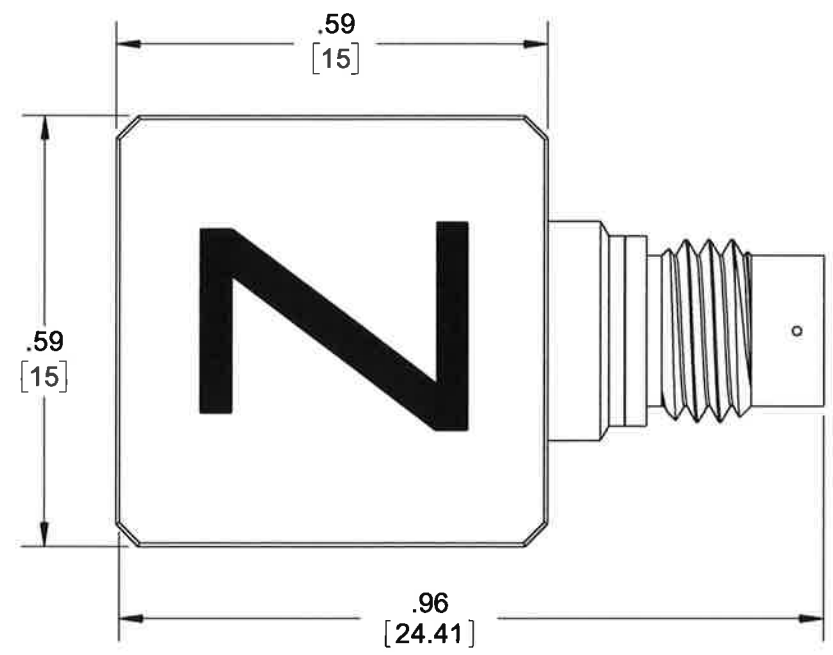
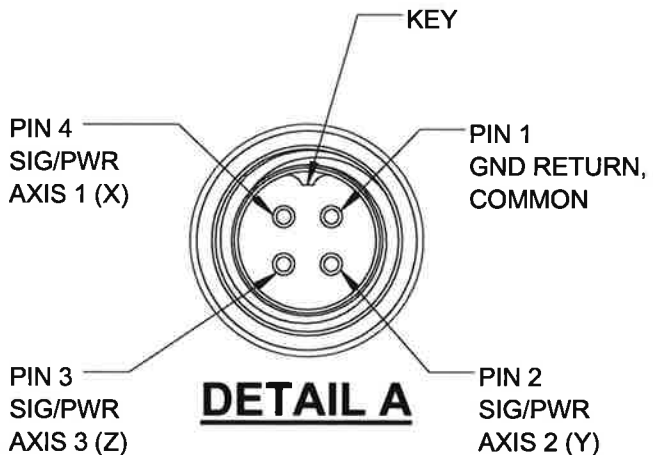
THE INFORMATION CONTAINED IN THIS DRAWING IS THE SOLE PROPERTY OF DYTRAN INSTRUMENTS INC. ANY REPRODUCTION IN PART OR AS A WHOLE WITHOUT THE WRITTEN PERMISSION OF DYTRAN INSTRUMENTS INC. IS PROHIBITED

REVISIONS

REV.	ECN	DESCRIPTION	BY/DATE	CHK	APPR
A	11879	INITIAL RELEASE	JS 11/02/16	LA	LW

VARIATION TABLE

MODEL NO.	SENSITIVITY
3093D1	1 mV/g
3093D2	5 mV/g
3093D3	10 mV/g
3093D4	20 mV/g
3093D5	25 mV/g
3093D6	50 mV/g
3093D7	100 mV/g



MOUNTING RECOMMENDATIONS:
 PREPARE MOUNTING SURFACE FLAT TO .001TIR.
 DRILL AND TAP 10-32 UNF-2B ∇ .188 [4.76] MINIMUM.
 RECOMMENDED MOUNTING TORQUE: 10-12 LB IN.
 FOR BEST FREQUENCY RESPONSE MOUNTING SURFACE MUST CONTACT ENTIRE ACCELEROMETER MOUNTING SURFACE.

- 6 MATES WITH DYTRAN CABLE 6811AXX (XX=LENGTH IN FEET)
 - 5 MOUNTING STUD 10-32 UNF-2A (MODEL 6200 SUPPLIED)
 - 4. ARROWS INDICATE ACCELERATION DIRECTION FOR POSITIVE OUTPUT.
 - 3. HOUSING AND CONNECTOR MATERIAL:TITANIUM
 - 2. WEIGHT: 10 GRAMS APPROX.
 - 1. ENVIRONMENTAL SEAL: HERMETIC
- NOTES: UNLESS OTHERWISE SPECIFIED

UNLESS OTHERWISE SPECIFIED:
 INTERPRET DIM & TOL PER ASME Y14.5M - 1994.
 REMOVE BURRS.
 COUNTERSINK INTERNAL THDS 90° TO MAJOR DIA.
 CHAM EXT THDS 45° TO MINOR DIA.
 THD LENGTHS AND DEPTHS ARE FOR MIN FULL THDS.
 DIMENSIONS APPLY AFTER FINISHING.

ALL MACHINED SURFACES:
 TOTAL RUNOUT WITHIN .005.
 BREAK SHARP EDGES .005 TO .010.
 MACHINED FILLET RADII .005 TO .015.
 WELDING SYMBOLS PER AWS A2.4.
 ABBREVIATIONS PER MIL-STD-12.

DECIMALS	METRIC	ANGLES
.XX ±.03	.X ± 0.8	° ±1°
.XXX ±.010	.XX ±0.25	

APPROVALS	DATE
ORIG JS	11/02/16
CHK LA	11/17/16
APP LW	11/17/16

DO NOT SCALE DRAWING

THIRD ANGLE PROJECTION USA


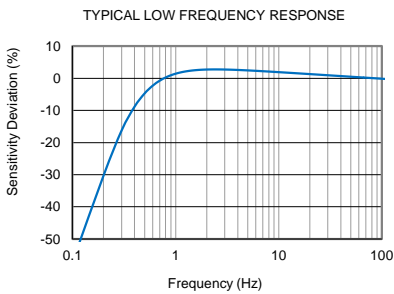
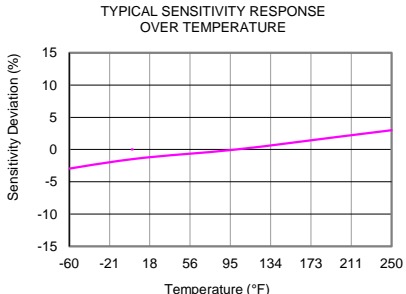
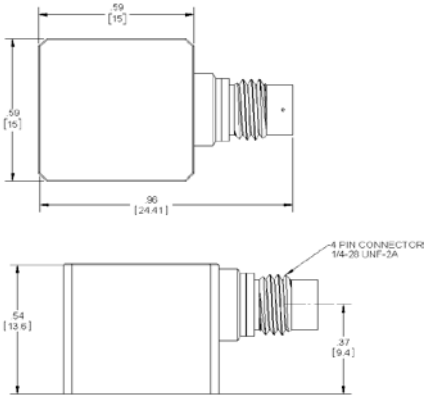
DYTRAN INSTRUMENTS, INC. Chatsworth, CA

MASTER COPY
 ONLY IN RED

TITLE: **OUTLINE/ INSTALLATION DRAWING 3093D1-7**

SIZE B	CAGE CODE 2W033	DWG NO 127-3093D	REV A
---------------	------------------------	-------------------------	--------------

SCALE: 4:1 SHEET 1 OF 1

Model Number	PERFORMANCE SPECIFICATION				DOC NO	
3093D1	Accelerometer, Triaxial, IEPE				PS3093D1	
REV E, ECN 13645, 08/02/17						
	<ul style="list-style-type: none"> • CASE ISOLATED • HERMETICALLY SEALED • STUD MOUNTED 					
	ENGLISH	SI				
PHYSICAL						
Weight, Max.		0.35 oz	10.0 grams			
Mounting Stud Mount		10-32 UNF-2A screw	10-32 UNF-2A screw			
Connector [1]	Type	4-pin, 1/4-28	4-pin, 1/4-28			
Housing	Material	Titanium	Titanium			
	Isolation	Case Isolated	Case Isolated			
Sensing Element	Material	Ceramic	Ceramic			
	Mode	Shear	Shear			
PERFORMANCE						
Sensitivity, +/- 5% [2]		1 mV/g	0.10 mV/m/s ²			
Acceleration Range, ±		5000 Gpeak	49050 m/s ² peak			
Frequency Range, ±5%		.6-5000 Hz	.6-5000 Hz			
Resonance Frequency		> 30 kHz	> 30 kHz			
Linearity [3]		1 %F.S.	1 %F.S.			
Transverse Sensitivity Max.		6 %	6 %			
Noise floor		0.07 Grms	0.7 m/s ² rms			
Spectral Noise	1Hz	20000 µGrms/sqr(Hz)	196200 µm/s ² rms/sqr(Hz)			
	10Hz	14000 µGrms/sqr(Hz)	137340 µm/s ² rms/sqr(Hz)			
	100Hz	9000 µGrms/sqr(Hz)	88290 µm/s ² rms/sqr(Hz)			
	1000Hz	5000 µGrms/sqr(Hz)	49050 µm/s ² rms/sqr(Hz)			
	10000Hz	2000 µGrms/sqr(Hz)	19620 µm/s ² rms/sqr(Hz)			
ELECTRICAL						
Supply Current Range [4]		2 to 20 mA	2 to 20 mA			
Compliance Voltage Range		+18 to +30 VDC	+18 to +30 VDC			
Output Impedance, Typ.		100 Ω	100 Ω			
Output Bias Voltage		+11 to +13 VDC	+11 to +13 VDC			
Discharge Time Constant		0.7 to 1.7 sec	0.7 to 1.7 sec			
Electrical Isolation, Min.		10 GΩ	10 GΩ			
ENVIRONMENTAL						
Shock Max., ±		10000 g pk	98100 m/s ²			
Vibration Max., ±		6000 g pk	58860 m/s ²			
Operating Temperature		-60 to +250 °F	-51 to +121 °C			
Seal		Hermetic	Hermetic			
Magnetic Sensitivity at 100 Gauss		0.00007 g/Gauss	0.0007 m/s ² /Gauss			
Base Strain Sensitivity		0.05 g/µε	0.4905 m/s ² /µε			
This family also includes:						
Model	Sensitivity (mV/g)	Range (Gpeak)	Resolution (Grms)	Oper. Temp (°F)	TC	
3093D2	5	1000	0.014	-60 to +250	0.7 to 1.7	
3093D3	10	500	0.007	-60 to +250	0.7 to 1.7	
3093D4	20	250	0.0035	-60 to +250	0.7 to 1.7	
3093D5	25	200	0.0028	-60 to +235	0.7 to 1.7	
3093D6	50	100	0.0014	-60 to +225	0.7 to 1.7	
3093D7	100	50	0.0007	-60 to +225	0.7 to 1.7	
Refer to performance specifications of products in this family for detailed description						
Supplied Accessories:						
1) Model 6200 Mounting Stud Supplied, Qty: 1						
2) Accredited Calibration Certificate (ISO 17025)						
Notes:						
[1] Glass to Metal seal connector. Mates with Dytran cable Model 6811AXX (XX=length in feet)						
[2] Measured at 100 Hz, 1 Grms per ISA RP 37.2						
[3] Measured using zero-based straight line method, % of F.S. or any lesser range. □						
[4] Do not apply power to this device without current limiting, 20mA Max. To do so will destroy the integral IC amplifier.						
[5] In the interest of constant product improvement, we reserve the right to change specifications without notice.						
 						
						
Units on the line drawing are in inches, units in brackets are in millimeters. Refer to 127-3093D for more information.						

