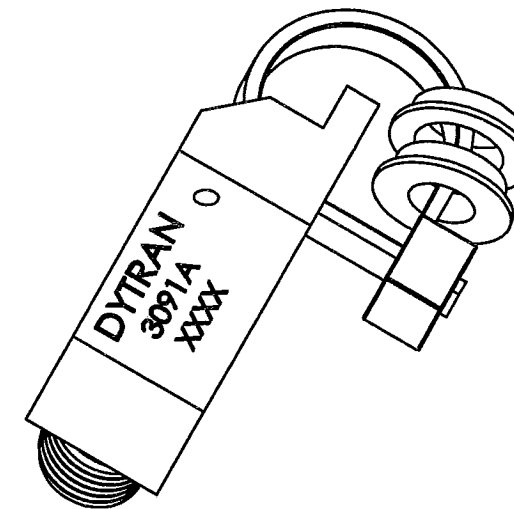
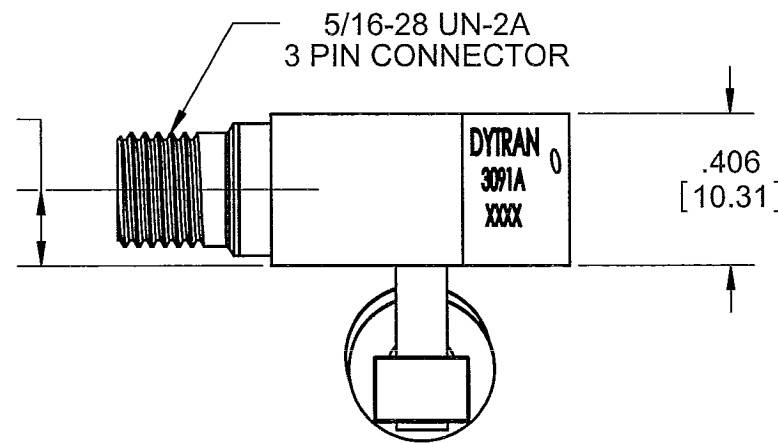
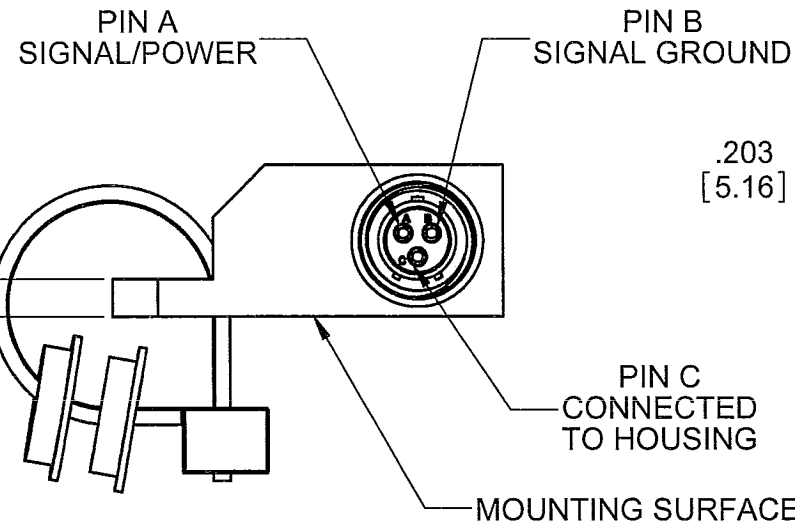
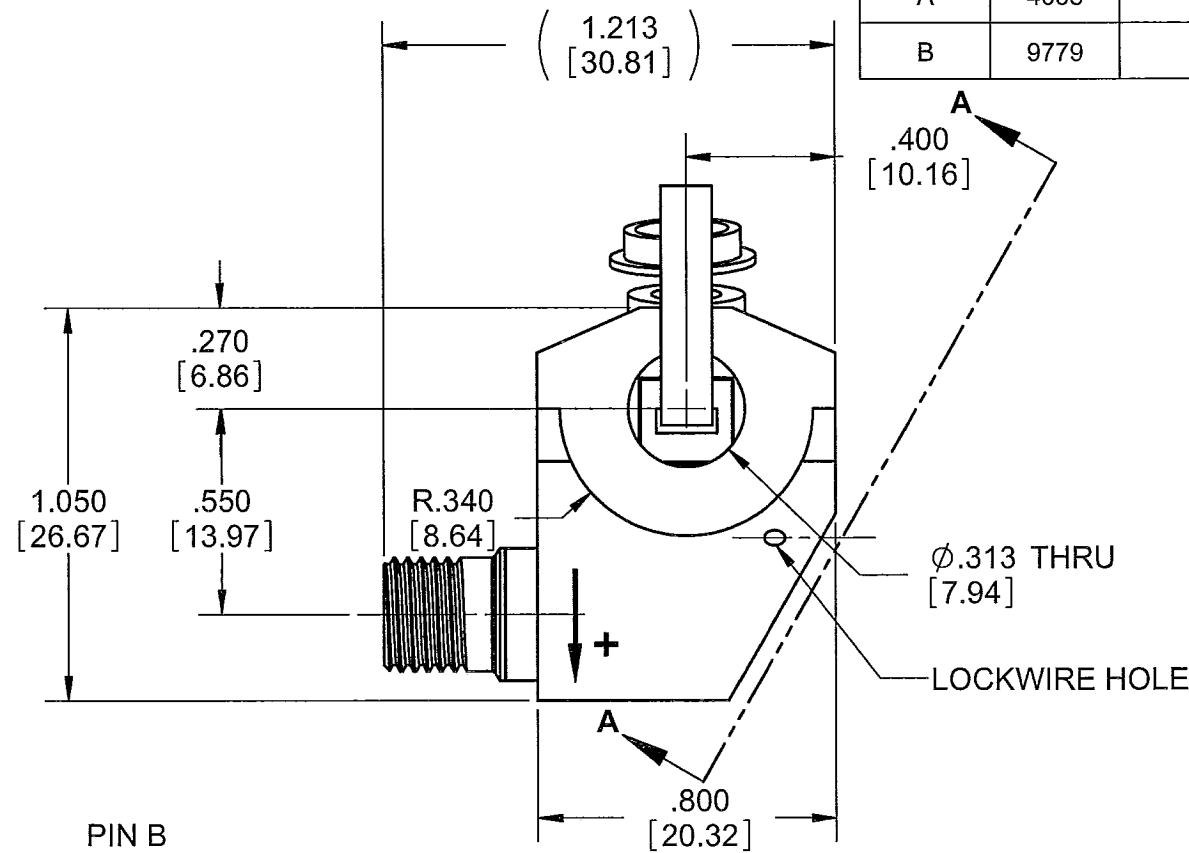
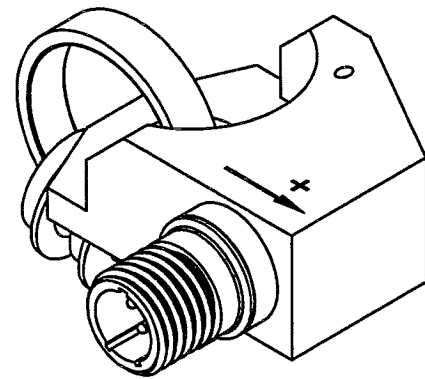


PROPRIETARY AND CONFIDENTIAL

THE INFORMATION CONTAINED IN THIS DRAWING IS THE SOLE PROPERTY OF DYTRAN INSTRUMENTS INC. ANY REPRODUCTION IN PART OR AS A WHOLE WITHOUT THE WRITTEN PERMISSION OF DYTRAN INSTRUMENTS INC. IS PROHIBITED

REVISIONS

REV.	ECN	DESCRIPTION	BY/DATE	CHK	APPR
A	4668	INITIAL RELEASE	RA 5/30/07	CES	PML
B	9779	SEE ECN	AB 03/28/13	4/	



- 4. ADAPTOR BUSHING SUPPLIED:  
6555A (Ø .250 THRU HOLE)  
6555A1 (Ø .188 THRU HOLE)
  - 3. ARROWS SHOW DIRECTION OF ACCELERATION FOR POSITIVE OUTPUT SIGNAL.
  - 2. WEIGHT: 30 GRAMS MAX.
  - 1. HOUSING MATERIAL: 300 SERIES SS.  
CONNETOR MATERIAL: 300 SERIES SS.
- NOTES: UNLESS OTHERWISE SPECIFIED

UNLESS OTHERWISE SPECIFIED:  
INTERPRET DIM & TOL PER  
ASME Y14.5M - 1994.  
REMOVE BURRS.  
COUNTERSINK INTERNAL THDS  
90° TO MAJOR DIA.  
CHAM EXT THDS 45° TO MINOR DIA.  
THD LENGTHS AND DEPTHS ARE FOR  
MIN FULL THDS.  
DIMENSIONS APPLY AFTER FINISHING

ALL MACHINED SURFACES. <sup>63/</sup>✓  
TOTAL RUNOUT WITHIN .005.  
BREAK SHARP EDGES .005 TO .010.  
MACHINED FILLET RADII .005 TO .015.  
WELDING SYMBOLS PER AWS A2.4.  
ABBREVIATIONS PER MIL-STD-12.

DECIMALS		METRIC		ANGLES
.XX ±.03	.X ±0.8	.XX ±0.25		±1°
.XXX ±.010				

APPROVALS		DATE
ORIG	RA	5/28/07
CHK	CES	06/04/07
APP	PML	06/04/07

DO NOT SCALE DRAWING

THIRD ANGLE PROJECTION  
USA

**DYTRAN INSTRUMENTS, INC.** **MASTER COPY** **ONLY IN RED**

TITLE: **OUTLINE/INSTALLATION, MODEL 3091A**

SIZE <b>B</b>	CAGE CODE <b>2W033</b>	DWG NO <b>127-3091A</b>	REV <b>B</b>
---------------	------------------------	-------------------------	--------------

SCALE: 1:1    SOLIDWORKS    SHEET 1 of 1



- EXCELLENT LINEARITY
- ELECTRICALLY ISOLATED
- HERMETICALLY SEALED

**PHYSICAL**  
Weight, Max Connector Type  
Mounting Provision, Integral Bracket  
Material, Accelerometer Element Style

ENGLISH		SI	
1.05	oz	30	grams
3-Pin		3-Pin	
5/16-28 UN-2A		5/16-28 UN-2A	
Ø .312 Thru Hole With 2 Bushings	Inches	Ø 7.924 Thru Hole With 2 Bushings	mm
300 Series SS		300 Series SS	
Quartz Shear		Quartz Shear	

**PERFORMANCE**  
Sensitivity, ±5% [1]  
Range F.S for ± 5 Volts Output  
Frequency Range [4]  
Resonant Frequency  
Equivalent Electrical Noise Floor  
Linearity [2]  
Maximum Transverse sensitivity  
Strain Sensitivity @ 250µε

10	mV/g	1	mV/m/s <sup>2</sup>
±500	g	±4905	m/s <sup>2</sup>
1 to 10	Hz	1 to 10	Hz
10 to 1000	Hz	10 to 1000	Hz
1000 to 3000	Hz	1000 to 3000	Hz
>26	kHz	>26	kHz
0.007	Grms	0.069	m/s <sup>2</sup> rms
± 1%	% F.S.	± 1%	% F.S.
5	%	5	%
0.012	g/µε	0.12	m/s <sup>2</sup> /µε

**ENVIRONMENTAL**  
Maximum Vibration  
Maximum Shock  
Temperature Range  
Seal, Hermetic

±600	Gpeak	±5886	m/s <sup>2</sup> peak
±3000	Gpeak	±29430	m/s <sup>2</sup> peak
-60 to +250	°F	-54 to 121	°C
Welded/GTM Header		Welded/GTM Header	

**ELECTRICAL**  
Supply Current Range [3]  
Compliance Voltage Range  
Output Impedance, Typ  
Bias Voltage  
Discharge Time Constant, Nom  
Output Signal Polarity for

2 to 20	mA	2 to 20	mA
+ 18 to +30	Volts	+ 18 to +30	Volts
100	Ω	100	Ω
+7 to +9	VDC	+7 to +9	VDC
0.3 to 1.5	Sec	0.3 to 1.5	Sec
Positive		Positive	
10	GΩ,min	10	GΩ,min

Electrical Isolation, Case Ground To Mounting Surface

**This family also includes:**

Model	Sensitivity	Range F.S ± 5 Volts	Max Vibration/Shock	Resonant Frequency

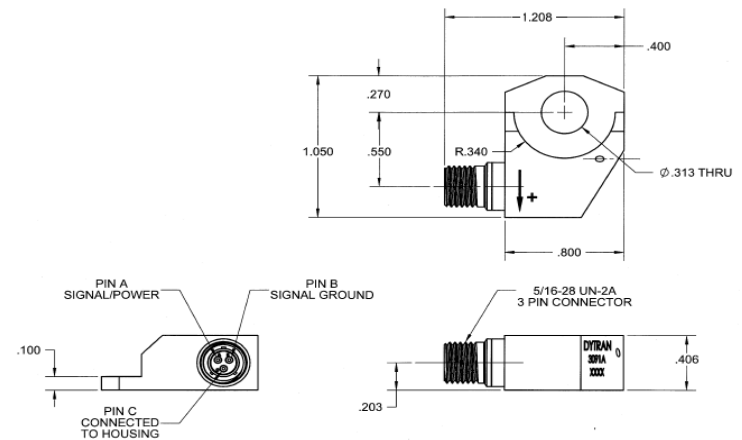
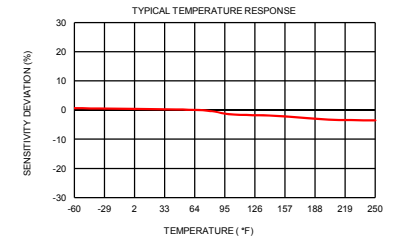
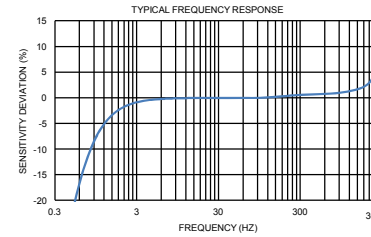
Refer to the performance specifications of the products in this family for detailed description

**Supplied Accessories:**

- 1) Accredited calibration certificate (ISO 17025)
- 2) Adaptor bushing (Ø .250 thru hole), model # 6555A, qty 1
- 3) Adaptor bushing (Ø .188 thru hole), model # 6555A1, qty 1

**Notes:**

- [1] Measure at 100Hz, 1 Grms per ISA RP 37.2
- [2] Measure using zero-based straight line method, % of F.S. or any lesser range.
- [3] Do not apply power to this system without current limiting, 20 mA MAX. To do so will destroy the IC charge amplifier.
- [4] Frequency response is referenced to nominal sensitivity
- [5] Lock wire holes are included in the base



Units on the line drawing are in inches, units in brackets are in millimeters. Refer to 127-3091A for more information.

