

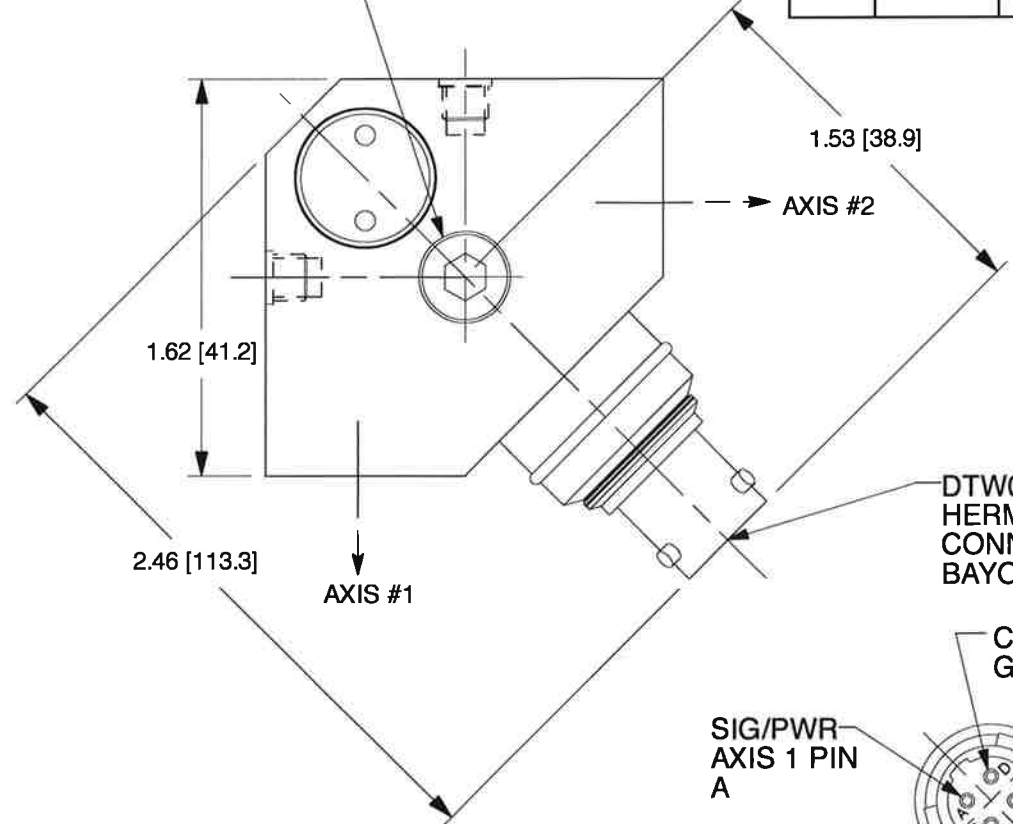
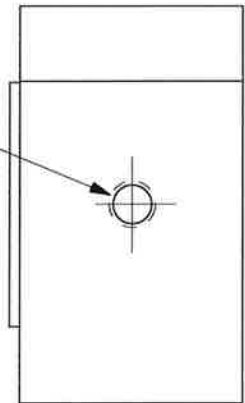
PROPRIETARY AND CONFIDENTIAL

THE INFORMATION CONTAINED IN THIS DRAWING IS THE SOLE PROPERTY OF DYTRAN INSTRUMENTS INC. ANY REPRODUCTION IN PART OR AS A WHOLE WITHOUT THE WRITTEN PERMISSION OF DYTRAN INSTRUMENTS INC. IS PROHIBITED

REV	ECN	DESCRIPTION	BY/DATE	CHK	APPR
A	13163	INITIAL RELEASE	RLA 12/13/16	LA	LN

MODEL 6524 1/4-28 UNF MOUNTING SCREW. TORQUE TO 15 LB.-IN.

2X 10-32 TAPPED HOLE FOR CALIBRATION



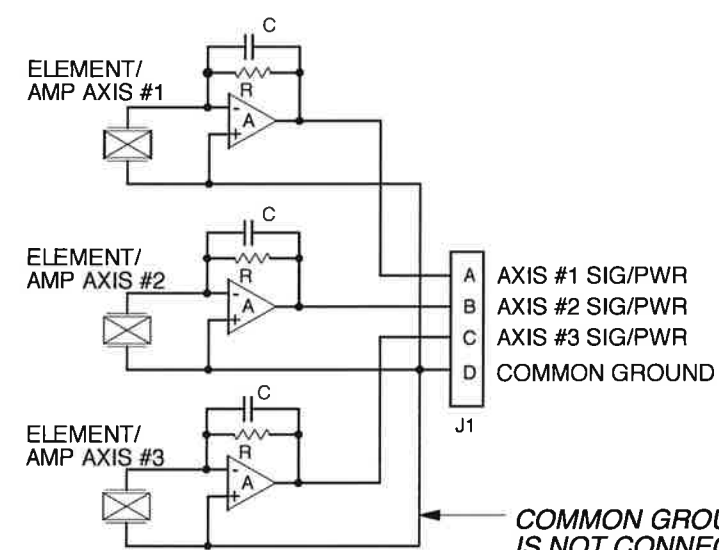
DTW048-8-4PN HERMETIC CONNECTOR, 4-PIN BAYONET STYLE

COMMON GROUND PIN D

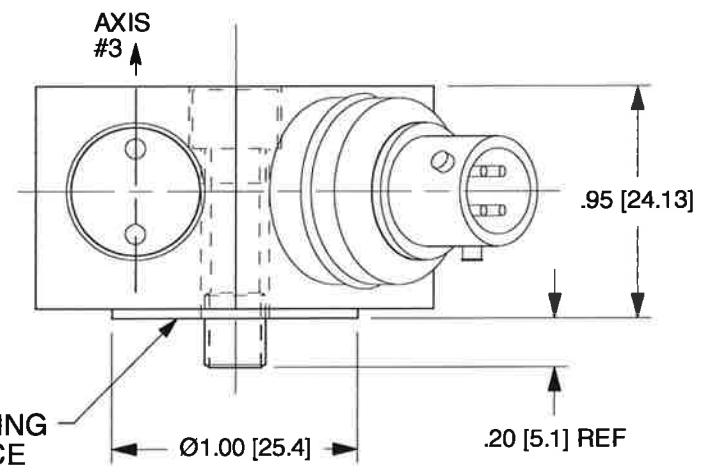
SIG/PWR AXIS 1 PIN A

SIG/PWR AXIS 3 PIN C

SIG/PWR AXIS 2 PIN B



SCHEMATIC DIAGRAM



MOUNTING SURFACE

4. OPTIONAL ACCESSORY - MODEL 6529 IMMERSION PROOF SEALING BOOT.

3 SIG/PWR GND RETURN IS ISOLATED FROM CASE BY > 10 MEGOHMS.

2. TORQUE MOUNTING SCREW TO 15 LB.-IN.

1. AXIS ARROWHEADS DELINEATE SENSE & DIRECTION OF POSITIVE ACCELERATION FOR POSITIVE-GOING OUTPUT VOLTAGE.

NOTES: UNLESS OTHERWISE SPECIFIED

UNLESS OTHERWISE SPECIFIED:
 INTERPRET DIM & TOL PER ASME Y14.5M - 1994.
 REMOVE BURRS.
 COUNTERSINK INTERNAL THDS 90° TO MAJOR DIA.
 CHAM EXT THDS 45° TO MINOR DIA.
 THD LENGTHS AND DEPTHS ARE FOR MIN FULL THDS.
 DIMENSIONS APPLY AFTER FINISHING.

ALL MACHINED SURFACES:
 TOTAL RUNOUT WITHIN .005
 BREAK SHARP EDGES .005 TO .010
 MACHINED FILLET RADI .005 TO .015
 WELDING SYMBOLS PER AWS A2.4
 ABBREVIATIONS PER MIL-STD-12.

APPROVALS		DATE
DRAWN	NC	4/30/02
DESIGN	NC	4/30/02
CHK	RA	4/30/02
APP	NC	4/30/02

UNLESS OTHERWISE SPECIFIED, DIMENSIONS ARE IN INCHES. DIMENSIONS IN BRACKETS [] ARE IN MILLIMETERS. TOLERANCES ARE:

DECIMALS	METRIC	ANGLES
XX ± .03	X ± .08	± 1°
XXX ± .010	XX ± 0.25	

DYTRAN MASTER INSTRUMENTS INC. Chatsworth, CA

ONLY IF IN RED

TITLE: **OUTLINE/INSTALLATION DRAWING, MODEL 3063B**

SIZE B	CAGE CODE 2W033	DWG NO 127-3063B	REV A
--------	-----------------	------------------	-------

DO NOT SCALE DRAWING

SCALE: SHEET 1 OF 1

SPECIFICATIONS

MODEL 3063B TRIAXIAL LIVM ACCELEROMETER

SPECIFICATION	VALUE	UNITS
PHYSICAL		
WEIGHT	245	GRAMS
SIZE (LENGTH x WIDTH x HEIGHT), not incl. connector [1]	1.625 x 1.625 x .950	INCHES
MOUNTING PROVISION [1]	CAPTIVE 1/4-28 MOUNTING SCREW	
CONNECTOR, COAXIAL, RADIALLY MOUNTED, 4-PIN	MIL-C-26482	8-4P
CASE MATERIAL	300 SERIES SS	
ELEMENT TYPE	PLANAR SHEAR, CERAMIC	
PERFORMANCE		
SENSITIVITY, ($\pm 5\%$) [2]	100	mV/G
RANGE F.S.	50	G's
RESOLUTION, (Electrical noise)	.00006	G's, RMS
FREQUENCY RESPONSE $\pm 5\%$	0.5 to 3000	Hz
$\pm 10\%$	0.3 to 5000	Hz
DISCHARGE TIME CONSTANT	0.9 to 2.0	SEC
MOUNTED RESONANT FREQUENCY	>25	kHz
AMPLITUDE NON-LINEARITY (ZERO BASED BEST FIT ST.LINE METHOD)	± 1.0	% F.S., MAX.
TRANSVERSE SENSITIVITY, MAX.	5	PERCENT
STRAIN SENSITIVITY	.001	G's PER MICROSTRAIN @ 250/ $\mu\sigma$
ENVIRONMENTAL		
MAXIMUM VIBRATION	1000	G's, RMS
MAXIMUM SHOCK	2000	G's, PEAK
TEMPERATURE RANGE	-65 to +250	DEG.
THERMAL COEFFICIENT OF SENSITIVITY	.03	%/ $^{\circ}$ F
ENVIRONMENTAL SEAL	WELDED/GLASS TO METAL SEAL/O-RINGS	HERMETIC
ELECTRICAL		
BIAS VOLTAGE RANGE	+11 to +13	VDC
SUPPLY VOLTAGE RANGE [3]	+18 to +30	VDC
SUPPLY CURRENT RANGE	2 to 20	mA
OUTPUT IMPEDANCE, NOM. OHMS	150	
CASE GROUND ISOLATION, SIG/PWR GROUND PIN TO CASE, MIN. GIGAOHMS	10	

SUPPLIED ACCESSORIES:

(1) MODEL 6524 MOUNTING SCREW, 1/4-28 x .89 LONG
OPTIONAL ACCESSORY: MODEL 6529 IMMERSION PROOF SEALING BOOT

NOTES:

- 1) THE HEAD OF MODEL 6254 MOUNTING SCREW RECESSES INTO THE BODY OF THE ACCELEROMETER RESULTING IN NO INCREASE IN THE OVERALL HEIGHT.
- 2) A CALIBRATION CERTIFICATE TRACEABLE TO **NIST** IS SUPPLIED WITH EACH INSTRUMENT.
- 3) DO NOT APPLY POWER TO THIS INSTRUMENT WITHOUT CURRENT LIMITING IN THE RANGE OF 20 mA MAXIMUM. TO DO SO WILL IMMEDIATELY DESTROY THE INTEGRAL AMPLIFIER. IT IS SUGGESTED THAT ONLY DYTRAN OR DYTRAN APPROVED POWER UNITS BE UTILIZED FOR POWERING THIS INSTRUMENT.