

PROPRIETARY AND CONFIDENTIAL

THE INFORMATION CONTAINED IN THIS DRAWING IS THE SOLE PROPERTY OF DYTRAN INSTRUMENTS INC. ANY REPRODUCTION IN PART OR AS A WHOLE WITHOUT THE WRITTEN PERMISSION OF DYTRAN INSTRUMENTS INC. IS PROHIBITED

REVISIONS

REV.	ECN	DESCRIPTION	BY/DATE	CHK	APPR
A	11394	INITIAL RELEASE	RA, 11/06/14	EM	DV
B	11943	REVISED MARKING LOCATION, ADDED VIEW A-A	RA, 05/05/15	MH	LN
C	11983	3056D7 WAS: 5 mV/g, ADDED: 3056D8	LA, 05/28/15	DV	MH
D	14310	ZONE B3 10-32 UNF WAS: 10-32 UNC	RA, 06/28/18	MH	LD

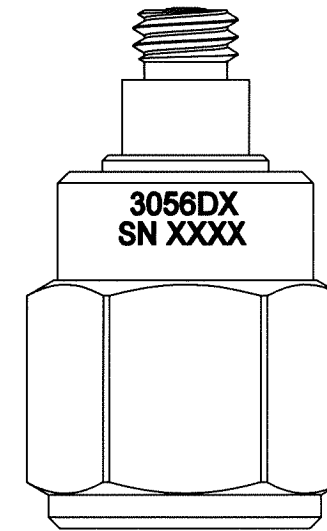
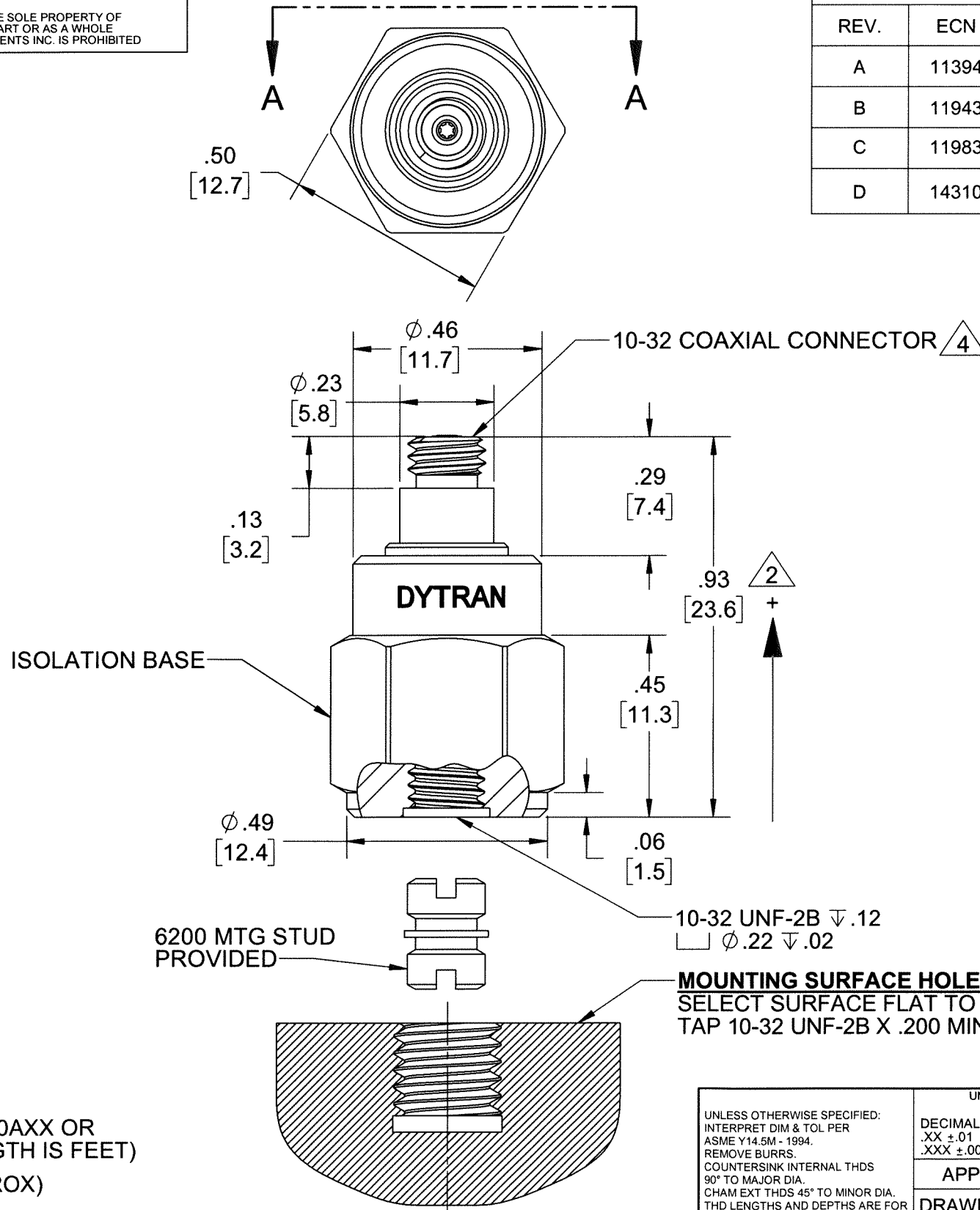
D

D

MODEL	SENSITIVITY
3056D1	10 mV/g
3056D2	100 mV/g
3056D3	500 mV/g
3056D4	20 mV/g
3056D5	50 mV/g
3056D6	200 mV/g
3056D7	1 mV/g
3056D8	5 mV/g

C

C



VIEW A-A
ROTATED 180°CW

B

B

A

A

4 MATES WITH DYTRAN 6010AXX OR 6011AXX CABLE (XX=LENGTH IS FEET)

3. WEIGHT: 10 GRAMS (APPROX)

2 ARROW INDICATES ACCELERATION DIRECTION FOR POSITIVE OUTPUT.

1. MATERIAL: TITANIUM ALLOY

NOTES: UNLESS OTHERWISE SPECIFIED

UNLESS OTHERWISE SPECIFIED:
 INTERPRET DIM & TOL PER ASME Y14.5M - 1994.
 REMOVE BURRS.
 COUNTERSINK INTERNAL THDS 90° TO MAJOR DIA.
 CHAM EXT THDS 45° TO MINOR DIA.
 THD LENGTHS AND DEPTHS ARE FOR MIN FULL THDS.
 DIMENSIONS APPLY AFTER FINISHING.

UNLESS OTHERWISE SPECIFIED:
 DECIMALS TOLERANCES ARE:
 .XX ± .01 ANGLES ± 1°
 .XXX ± .005

APPROVALS		DATE
DRAWN	RA	10/29/14
DESIGN	RT	08/28/14
CHK	EM	12/12/14
APP	DV	12/17/14

ALL MACHINED SURFACES.
 TOTAL RUNOUT WITHIN .005.
 BREAK SHARP EDGES .005 TO .010.
 MACHINED FILLET RADII .005 TO .015.
 WELDING SYMBOLS PER AWS A2.4.
 ABBREVIATIONS PER MIL-STD-12.

DO NOT SCALE DRAWING

THIRD ANGLE PROJECTION

DYTRAN INSTRUMENTS, INC. Chatsworth, CA

MASTER ONLY IF IN RED

TITLE: **OUTLINE/INSTALLATION, MODEL 3056D**

SIZE B	CAGE CODE 2W033	DWG NO 127-3056D	REV D
SCALE: 3:1	PART NO: 3056D	SHEET 1 OF 1	

Model Number 3056D2	PERFORMANCE SPECIFICATIONS	DOC NO PS3056D2
-------------------------------	-----------------------------------	---------------------------

IEPE ACCELEROMETER

REV G, ECN 13920, 12/20/17



- HERMETICALLY SEALED
- BASE ISOLATED

PHYSICAL

Weight
Connector
Mounting Provision
Material, Housing/Connector
Sensing Element
Element Style

ENGLISH		SI	
Weight	0.35 oz	Weight	10 grams
Connector	10-32	Connector	10-32
Mounting Provision	10-32 X .150 ↓	Mounting Provision	10-32 X .150 ↓
Material, Housing/Connector	Titanium	Material, Housing/Connector	Titanium
Sensing Element	Ceramic	Sensing Element	Ceramic
Element Style	Planar Shear	Element Style	Planar Shear

PERFORMANCE

Sensitivity, ±5% [1]
Range for ± 5 Volts Output
Frequency Response, ±5%
Frequency Response, ±10%
Resonant Frequency
Broad Band Resolution
Linearity [2]
Maximum Transverse Sensitivity
Strain Sensitivity @ 250µε

Sensitivity, ±5% [1]	100 mV/G	Sensitivity, ±5% [1]	10.2 mV/m/s ²
Range for ± 5 Volts Output	50 G peak	Range for ± 5 Volts Output	491 m/s ²
Frequency Response, ±5%	1 to 10,000 Hz	Frequency Response, ±5%	1 to 10,000 Hz
Frequency Response, ±10%	1 to 12,000 Hz	Frequency Response, ±10%	1 to 12,000 Hz
Resonant Frequency	> 36 kHz	Resonant Frequency	> 36 kHz
Broad Band Resolution	0.0004 G rms	Broad Band Resolution	0.004 m/s ² rms
Linearity [2]	±1 % F.S.	Linearity [2]	±1 % F.S.
Maximum Transverse Sensitivity	5 %	Maximum Transverse Sensitivity	5 %
Strain Sensitivity @ 250µε	0.001 G/µε	Strain Sensitivity @ 250µε	0.01 m/s ² /µε

ENVIRONMENTAL

Maximum Vibration
Maximum Shock
Temperature Range
Seal

Maximum Vibration	400 G peak	Maximum Vibration	3924 m/s ² peak
Maximum Shock	2000 G peak	Maximum Shock	19620 m/s ² peak
Temperature Range	-67 to 250 °F	Temperature Range	-55 to 121 °C
Seal	HERMETIC	Seal	HERMETIC

ELECTRICAL

Supply Current Range [3]
Compliance Voltage Range
Output Impedence, Typ
Bias Voltage
Discharge Time Constant
Electrical Isolation

Supply Current Range [3]	2 to 20 mA	Supply Current Range [3]	2 to 20 mA
Compliance Voltage Range	+18 to +30 Volts	Compliance Voltage Range	+18 to +30 Volts
Output Impedence, Typ	100 Ω	Output Impedence, Typ	100 Ω
Bias Voltage	+9 to +13 VDC	Bias Voltage	+9 to +13 VDC
Discharge Time Constant	.5 to 1.5 Sec	Discharge Time Constant	.5 to 1.5 Sec
Electrical Isolation	10 GΩ,min	Electrical Isolation	10 GΩ,min

This family also includes:

Model	Sensitivity (mV/g)	Frequency Response (Hz)	Time Constant (Sec)	Operating Temp (°F)
3056D1	10	1 to 10000	0.5 to 1.5	-67 to +250
3056D3	500	1 to 10000	0.5 to 1.5	-67 to +225
3056D4	20	1 to 10000	0.5 to 1.5	-67 to +250
3056D5	50	1 to 10000	0.5 to 1.5	-67 to +250
3056D6	200	1 to 10000	0.5 to 1.5	-67 to +225
3056D7	1	1 to 10000	0.5 to 1.5	-67 to +250
3056D8	5	1 to 10000	0.5 to 1.5	-67 to +250

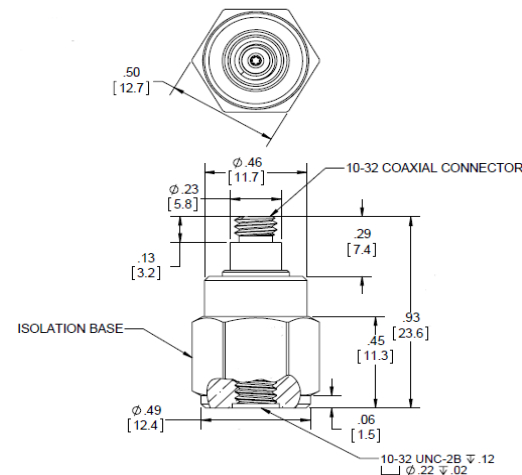
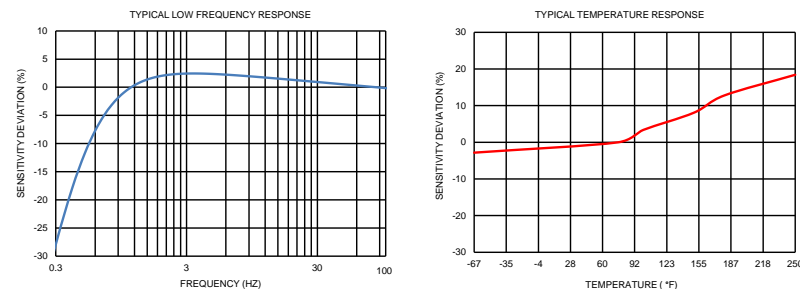
Refer to the performance specifications of the products in this family for detailed description

Supplied Accessories:

- 1) Accredited calibration certificate (ISO 17025)
- 2) Model 6200 mounting stud, QTY 1

Notes:

- [1] Measured at 100Hz, 1 Grms per ISA RP 37.2.
- [2] Measured using zero-based straight line method, % of F.S. or any lesser range.
- [3] Do not apply power to this system without current limiting, 20 mA MAX. To do so will destroy the IC charge amplifier.
- [4] In the interest of constant product improvement, we reserve the right to change specifications without notice.



Units on the line drawing are in inches, units in brackets are in millimeters. Refer to 127-3056D for more information.



21592 Marilla Street, Chatsworth, California 91311 Phone: 818.700.7818 Fax: 818.700.7880 www.dytran.com
For permission to reprint this content, please contact info@dytran.com